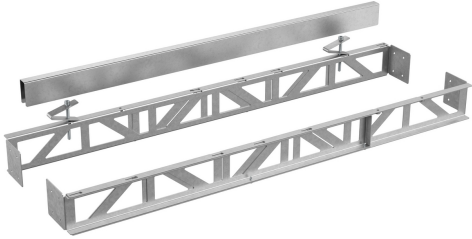


## Installation accessory, 880 mm LZ29WWY12



- ✓ LZ29WWY12
- ✓ Mounting kit for seamless installation
- ✓ Fits 90cm Glassdraft
- ✓ Consisting of a two-part, extendable base frame and a connecting strip for a seamless installation of Glassdraft and a matching design Hob. Allows two appliances to be installed in one worktop cut-out.

### Features

#### Technical Data

Dimensions of the packed product (HxWxD): .....108x387x1185 mm  
Pallet dimensions: ..... 160.0 x 80.0 x 120.0  
Standard number of units per pallet: ..... 26  
Weight: ..... 3.0 kg  
Gross weight: ..... 4.7 kg  
EAN code: .....4242003892527



## Installation accessory, 880 mm LZ29WWY12

### Features

- LZ29WWY12
- Mounting kit for seamless installation

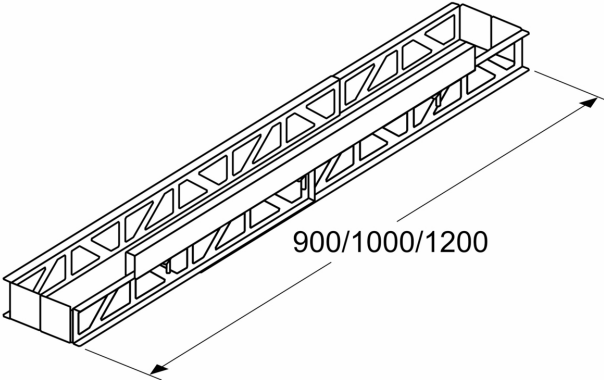
#### Optional accessories

- Fits 90cm Glassdraft
- Consisting of a two-part, extendable base frame and a connecting strip for a seamless installation of Glassdraft and a matching design Hob. Allows two appliances to be installed in one worktop cut-out.

Installation accessory, 880 mm  
LZ29WWY12

Dimensioned drawings

measurements in mm



measurements in mm

