

iQ700, Downdraft hood, 90 cm, clear glass LD98WMM66

A



The seamlessly designed glassdraftAir is only visible when in use, with an impressive performance thanks to the new Guided Air technology.

- ✓ Excellent extraction performance from all cooking zones – powered by iQdrive and Guided Air technology.
- ✓ Space saving installation — for optimal use of space.
- ✓ emotionLight Pro – Highlight your hood with fully dimmable LED lights in a range of colours.
- ✓ iQdrive motor - The quiet, high-performance motor ensures efficient removal of odours and steam.
- ✓ iQdrive motor keeps your kitchen quiet and vapour free.

Features

Technical Data

Typology : Downdraft
 Approval certificates : CE, E17D UKCA marking, VDE
 Length of electrical supply cord : 130 cm
 Required niche size for installation (HxWxD) : 703mm x 854.0mm x 123mm mm
 Net weight : 37.0 kg
 Type of control : Electronic
 Number of speed settings : 3-stage + 2 intensive
 Maximum output air extraction : 519 m³/h
 Boost position output recirculating : 596 m³/h
 Maximum output recirculating air : 456 m³/h
 Boost position air extraction : 833 m³/h
 Noise level : 62 dB(A) re 1 pW
 Diameter of air outlet : 150 mm
 Grease filter material : Washable stainless steel
 EAN code : 4242003877319
 Connection rating : 300 W
 Fuse protection : 10 A
 Voltage : 220-240 V
 Frequency : 50; 60 Hz
 Plug type : GARDY plug w/ earthing
 Installation type : Built-in

Optional accessories

LZ29WWY12	Mounting kit for seamless installation
LZ21WWM11	Installation kit remote motor
LZ21WWJ12	Long Life recirculation kit
LZ21WWI17	Clean Air Plus recirculation kit
HZ9VDSS1	Connector sleeve (female)
HZ9VDSM2	Straight tube 1000mm
HZ9VDSM1	Straight tube 500mm
HZ9VDSI1	90° Adapter round-flat
HZ9VDSIO	Adapter round-flat
HZ9VDSB2	90° flat duct L vertical
HZ9VDSB1	90° flat duct bend horizontal



iQ700, Downdraft hood, 90 cm, clear glass LD98WMM66

Features

Connectivity

- Home Connect: Remote Monitoring and Control for connected home appliances and operation via smartphone or tablet (only in countries where Home Connect service is available)
- The Home Connect functionality can be extended by integrating numerous applications from external cooperation partners (partnerships)
- Voice Control enabled via popular voice assistants (only in countries where this service is available)
- Interval function: available via Home Connect
- Silence function: available via Home Connect

Variant

- 90 cm wide
- Energy Efficiency Class: A (at a range of energy efficiency classes from A+++ to D)
- Extraction rate exhaust air according to EN 61591:
- max. normal use 519 m³/h, intensive 833 m³/h
- Noise max. Normal Level: Noise, max. speed in normal use: 62 dB dB*

Features

- Fully automatic hood
- cookConnect hob based hood control
- climateControl Sensor
- Additional functions: Ambient light RGB
- 3 power levels and 2 intensive settings
- touchControl
- The standard functions are located on the right-hand user interface
- Efficient BLDC motor
- Automatic intensive revert (6mins)
- Automatic after running (Automatic after running (10 minutes))
- 2 x metal grease filter cassettes
- Grease and charcoal filter saturation indicators
- The filter service button automatically lifts filters into service position for easy removal

Design

- Extendable clear glass panel with edge lighting
- The glass panel can be easily removed and cleaned
- Installation: integrated
- Suitable for installation in an island or Semi-island kitchen solution

Performance

- Suitable for ducted and re-circulating operation
- For recirculated extraction Clean Air Plus recirculation kit (accessory) needed
- Maximum extraction rate exhaust air 519 m³/h according to EN 61591
- Extraction rate according to EN 61591 ø 15 cm:
- max. Normal use 519 m³/h
- Intensive 833 m³/h
- Noise level according to EN 60704-3 and EN 60704-2-13 exhaust air:
- Max. normal use: 62 dB(A) re 1 pW
- Intensive: 71 dB(A) re 1 pW
- Noise level according to EN 60704-3 and EN 60704-2-13 at max. normal use exhaust air: 62 dB(A) re 1 pW

- With the Clean Air Plus recirculation kit (available as optional accessory) your appliances reaches:
- Extraction rate in recirculation mode: Max. normal use: 456 m³/h
- Intensive: 596 m³/h
- Noise level in recirculation mode: Max. normal use: 66 dB(A) re 1 pW
- Intensive: 71 dB(A) re 1 pW
- Average Energy Consumption: 37.8 kWh/year*
- Blower Efficiency Class: A*
- Lighting Efficiency Class: -*
- Grease Filtering Efficiency Class: C*
- Power rating: 300 W

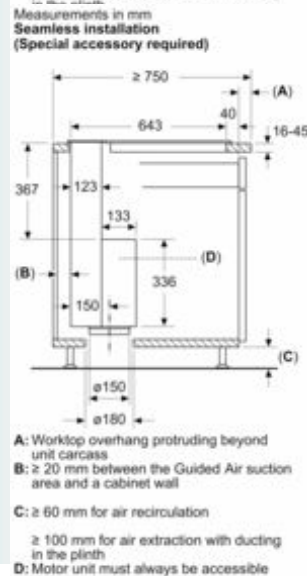
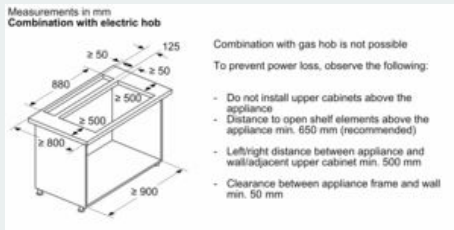
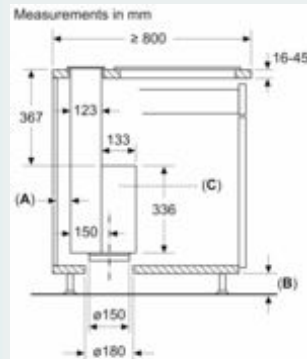
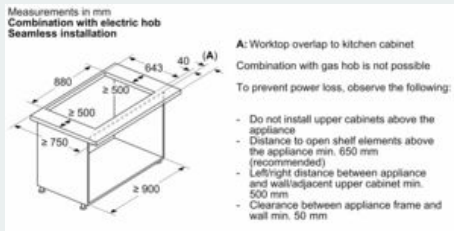
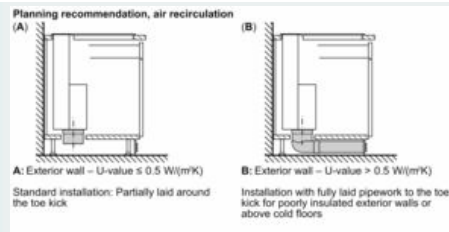
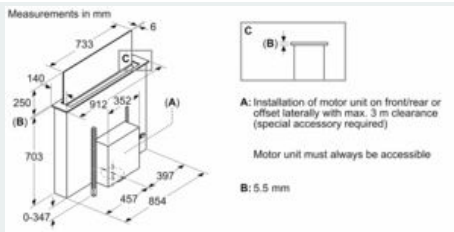
Planning and installation information

- Not suitable for combination with gas hobs
- Please reference the built-in dimensions provided in the installation drawings
- Extension height 250 mm
- Dimensions (HxWxD): 709 x 912 x 140 mm
- Built-in dimensions (HxWxD): 703 x 854 x 123 mm
- Extractor hose 150 mm
- Electrical cable length 1.3 m

* In accordance with the EU-Regulation No 65/2014

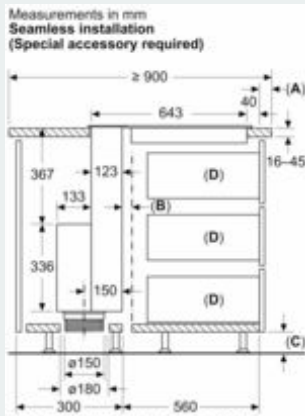
iQ700, Downdraft hood, 90 cm, clear glass LD98WMM66

Dimensioned drawings



iQ700, Downdraft hood, 90 cm, clear glass
LD98WMM66

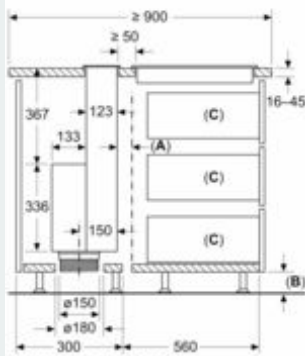
Dimensioned drawings



A: Worktop overlap to kitchen cabinet

B: Ventilation gap for hob

C: ≥ 60 mm for air recirculation
Measurements in mm
Standard installation

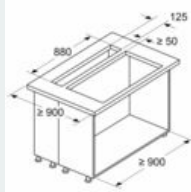


A: Ventilation gap for hob

B: ≥ 60 mm for air recirculation

≥ 100 mm for air extraction with ducting

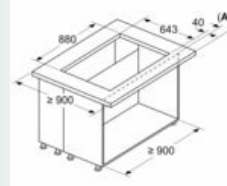
Measurements in mm
Combination with electric hob



Combination with gas hob is not possible
To prevent power loss, observe the following:

- Do not install upper cabinets above the appliance
- Distance to open shelf elements above the appliance min. 650 mm (recommended)
- Left/right distance between appliance and wall/adjacent upper cabinet min. 500 mm

Measurements in mm
Combination with electric hob Seamless installation



A: Worktop overlap to kitchen cabinet

Combination with gas hob is not possible
To prevent power loss, observe the following:

- Do not install upper cabinets above the appliance
- Distance to open shelf elements above the appliance min. 650 mm (recommended)
- Left/right distance between appliance and wall/adjacent upper cabinet min. 500 mm