

iQ700, Wall-mounted cooker hood, 90 cm, clear glass black printed LC97FVW62S



B



Flat design extractor hood with high extraction rate for a powerful performance.

- ✓ iQdrive motor - The quiet, high-performance motor ensures efficient removal of odours and steam.
- ✓ cookConnect and climateControl sensor: detects and removes steam and odours automatically
- ✓ emotionLight Pro: Adapt your extractor hood to your style.
- ✓ voiceControl – Control hood functions and lighting using your voice.
- ✓ Home Connect – The app that makes your hood work smarter.

Features

Technical Data

Typology:	Wall-mounted
Length electrical supply cord:	130.0 cm
Height of the appliance:	430 mm
Minimum distance above an electric hob:	450 mm
Minimum distance above a gas hob:	650 mm
Weight:	25.8 kg
Control panel:	Electronic
Number of speed settings:	3-stage + 2 intensive
Maximum output air extraction:	394 m³/h
Boost position output recirculating:	578.0 m³/h
Maximum output recirculating air:	311 m³/h
Boost position air extraction:	717 m³/h
Maximum Air flow:	394 m³/h
Number of lights:	2
Noise level:	57 dB(A) re 1 pW
Diameter of air outlet:	120 / 150 mm
Grease filter material:	Other
EAN code:	4242003910191
Connection Rating:	150 W
Fuse protection:	10 A
Nominal power:	220-240 V
Frequency:	50; 60 Hz
Plug type:	Gardy plug w/ earthing
Installation type:	Wall-mounted
Delay Shut off modes:	10 min



Optional accessories

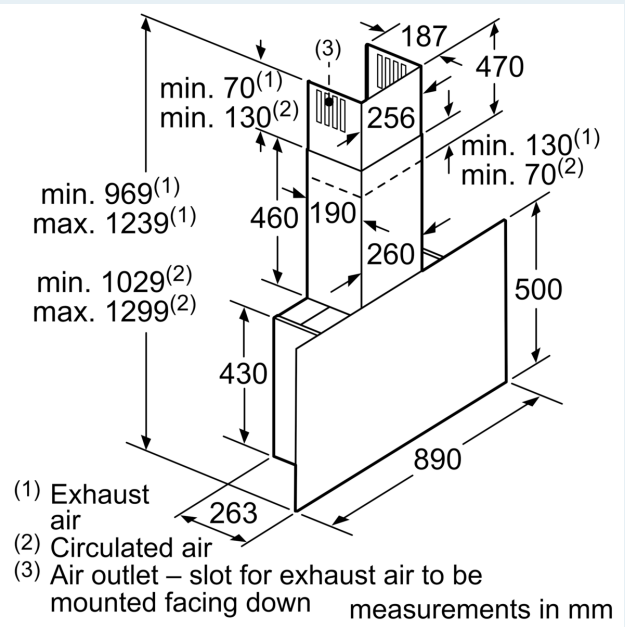
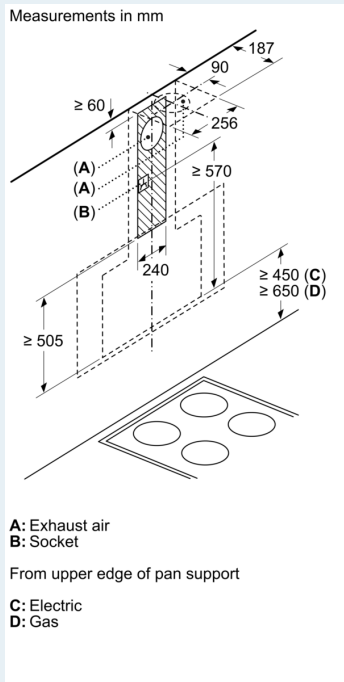
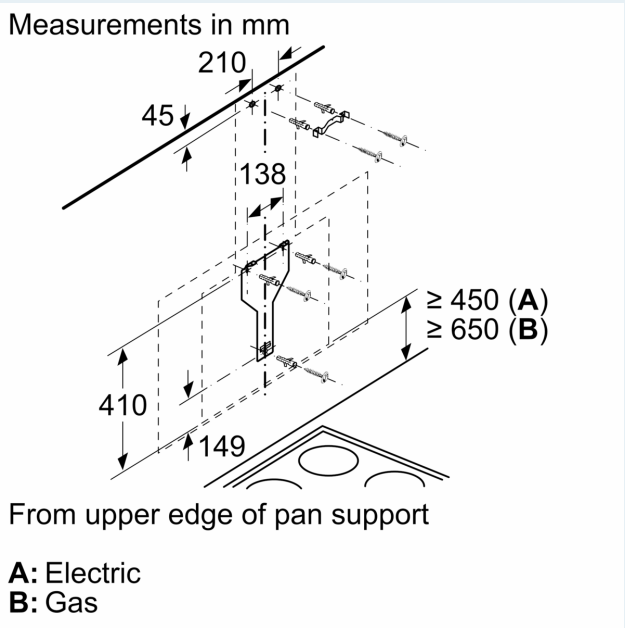
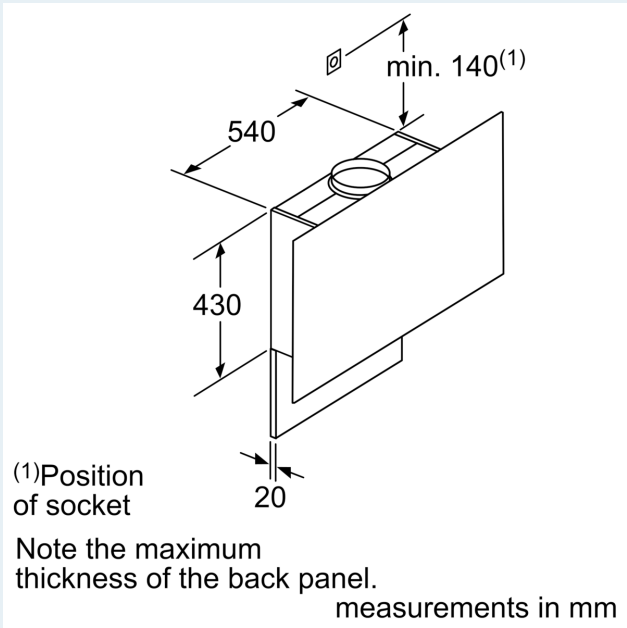
HZG9AS00S	Adapter
LZ10AFR00	Long Life recirculation kit (chimless)
LZ10AFS00	Long Life recirculation kit
LZ11AFB16	Clean Air Plus odor filter (replacement)
LZ11AFI16	Clean Air Plus recirculation kit
LZ11AFV16	Clean Air Plus recirc. kit (chimless)

iQ700, Wall-mounted cooker hood, 90 cm, clear glass black printed LC97FVW62S

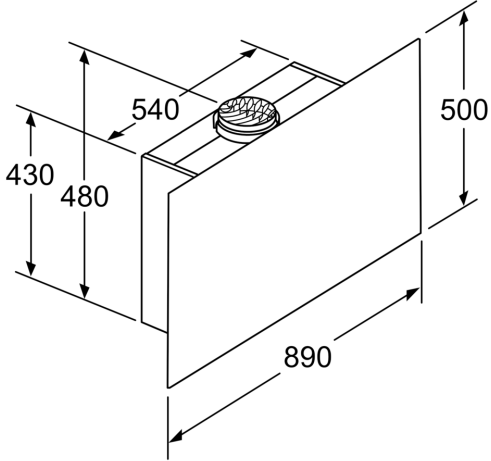
Features	
<p>Home Connect: Remote Monitoring and Control</p> <ul style="list-style-type: none"> • Home Connect: Remote Monitoring and Control for connected home appliances and operation via smartphone or tablet (only in countries where Home Connect service is available) • The Home Connect functionality can be extended by integrating numerous applications from external cooperation partners (partnerships) • Voice Control enabled via popular voice assistants (only in countries where this service is available) • Adjustable color temperature (2.700 K - 5.000 K) for adaption to the room lighting available via Home Connect <p>Special features</p> <ul style="list-style-type: none"> • cookConnect hob based hood control • Boost function • 3 power levels and 2 intensive settings • touchControl • softLight with dimmer function • 2 x LM5-04_LED_3W • Efficient BLDC motor • Gas spring 3 • Automatic after running (Automatic after running (10 minutes)) • Automatic intensive revert (6mins) • Grease and charcoal filter saturation indicators • 2 x metal grease filter cassettes • Black grease filter <p>Design</p> <ul style="list-style-type: none"> • Chimney hood • 90 cm • Black • Installation: wall • Equipped with black chimney section • Black glass • 2 capture areas: front side and bottom side • easy to clean Inner frame • Rim ventilation <p>Performance/technical information</p> <ul style="list-style-type: none"> • Suitable for ducted and re-circulating operation • In recirculation operation chimless use possible • Energy Efficiency Class: B (at a range of energy efficiency classes from A+++ to D) • Extraction rate according to EN 61591 ø 15 cm: <ul style="list-style-type: none"> • max. Normal use:394m³/h • Intensive:717 m³/h • Noise level according to EN 60704-3 and EN 60704-2-13 exhaust air: <ul style="list-style-type: none"> • Max. normal use:57dB(A) re 1 pW • Intensive:70 dB(A) re 1 pW 	<ul style="list-style-type: none"> • With the Clean Air Plus recirculation kit (available as optional accessory) your appliances reaches: • Extraction rate in recirculation mode: Max. normal use:311m³/h • Intensive:578m³/h • Noise level in recirculation mode with Clean Air Plus odor filter : Max. normal use:60dB(A) re 1 pW • Intensive:74dB(A) re 1 pW • Installation system: Wall fixing inclined/flat/cube • Diameter pipe Ø 150 mm (Ø 120 mm enclosed) • Back-pressure flap: Yes • Dimensions exhaust air (HxWxD): 969-1239 x 890 x 263 mm • Dimensions recirculating, chimney (HxWxD): 1029-1299 x 890 x 263mm • Dimensions recirculating, chimless (HxWxD): 500 mm x 890 x 263mm • Power rating: 150 W • Light Intensity: 360 lux • Average Energy Consumption: 41.1 kWh/year* • Blower Efficiency Class: B* • Lighting Efficiency Class: A* • Grease Filtering Efficiency Class: B* <p>* In accordance with the EU-Regulation No 65/2014</p>

iQ700, Wall-mounted cooker hood, 90 cm, clear glass black printed LC97FVW62S

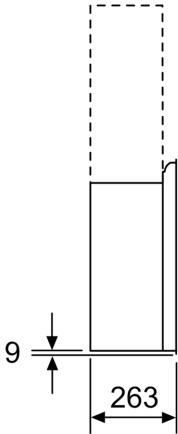
Dimensioned drawings



Dimensioned drawings



Appliance in circulated air mode
without duct
Circulated air set required
measurements in mm



measurements in mm