

## iQ500, Wall-mounted cooker hood, 90 cm, Matt black LC97BDN60B



- ✓ Home Connect – The app that makes your hood work smarter.
- ✓ voiceControl – Control hood functions and lighting using your voice.
- ✓ Interconnected devices : Connect Your Home, Simplify Your Life.
- ✓ Filter Saturation: Automatic reminders via Home Connect for when you need to clean, exchange or regenerate filters.
- ✓ Remote Control: Manage your appliances whenever, from wherever.

### Features

#### Technical Data

Typology:	Wall-mounted
Length electrical supply cord:	130 cm
Height of the appliance:	60 mm
Minimum distance above an electric hob:	550 mm
Minimum distance above a gas hob:	650 mm
Weight:	10.8 kg
Control panel:	Electronic
Number of speed settings:	3-stages + intensive setting
Maximum output air extraction:	399 m³/h
Boost position output recirculating:	677.0 m³/h
Maximum output recirculating air:	410 m³/h
Boost position air extraction:	699 m³/h
Maximum Air flow:	399 m³/h
Number of lights:	2
Noise level:	56 dB(A) re 1pW
Diameter of air outlet:	150 mm
Grease filter material:	Washable stainless steel
EAN code:	4242003976333
Connection Rating:	115 W
Nominal power:	220-240 V
Frequency:	50 Hz
Plug type:	GB plug
Installation type:	Wall-mounted



Optional accessories	
LZ11FBI16	Long-life Clean Air recirculation kit

## iQ500, Wall-mounted cooker hood, 90 cm, Matt black LC97BDN60B

### Features

#### Design:

- wall-mounted
- Suitable for ducted and re-circulating operation

#### Core Features:

- Efficient BLDC motor
- 2 x LED 3W with Colour temperature adjustable
- softLight with dimmer function : the lighting elements switch on and off smoothly.
- softLight with dimmer function : the brightness of the lighting elements can be adjusted.
- Colour Temperature: 3500 K
- Light Intensity: 461 lux
- 3 metal grease filter(s).

#### Comfort Features:

- glass front panel with integrated control elements for an easy operation
- Electronic control via touchControl, backlighted
- 3 x power levels plus intensive setting
- Automatic reset from intensive to normal setting after 6 min
- Automatic after running (10 minutes)

#### Digital Features:

- Home Connect: operate, monitor and set preferences of your hood via smartphone or tablet (only in countries where Home Connect service is available)
- cookConnect hob based hood control: automatically activates the hood when cooking, thanks to the WiFi connection of hood and suitable hob.
- Voice Control enabled via popular voice assistants (only in countries where this service is available)
- LED light with adjustable light temperature: Allows you to adapt the light temperature to your personal needs via Home Connect App
- After run function: available via Home Connect App
- Interval function: available via Home Connect App
- The Home Connect functionality can be extended by integrating numerous applications from external cooperation partners (partnerships)

#### Cleaning Comfort:

- Easy to clean smooth surfaces and materials.
- Steel filter cover dishwasher-safe
- Coated surfaces for less fingerprint sensitivity

#### Exhaust Mode:

- According to EN 61591 and EN/ IEC 60704-2-13 your appliance can achieve the following values in exhaust mode: Speed 1: extraction rate 242 m3/h; noise level 43 dB (A) re1pW Speed 2: extraction rate 335 m3/h; noise level 51 dB (A) re1pW Speed 3: extraction rate 399 m3/h; noise level 56 dB (A) re1pW Intensive 1: extraction rate 699 m3/h; noise level 68 dB (A) re1pW
- Energy Efficiency Class: A++ (at a range of energy efficiency classes from A+++ to D)

- Average Energy Consumption: 24.5 kWh/year\*
- Blower Efficiency Class: A\*
- Lighting Efficiency Class: A\*
- Grease Filtering Efficiency Class: B\*

#### Recirculation Mode:

- For recirculation operation Long-life Clean Air recirculation kit (accessory) needed
- The Long-life Clean Air odour filter absorbs intense odours, such as fish, as well as pollen. The lifetime can be extended up to 4 times by refreshing the filter in the oven
- According to EN 61591 and EN/ IEC 60704-2-13 your appliance can achieve the following values in recirculation mode with Long-life Clean Air recirculation kit (available as optional accessory):
- Speed 1: extraction rate 239 m3/h; noise level 50 dB(A) re1pW
- Speed 2: extraction rate 334 m3/h; noise level 59 dB(A) re1pW
- Speed 3: extraction rate 410 m3/h; noise level 64 dB(A) re1pW
- Intensive Speed 1: extraction rate 677 m3/h; noise level 73 dB (A) re1pW

#### Technical Information and Sustainability:

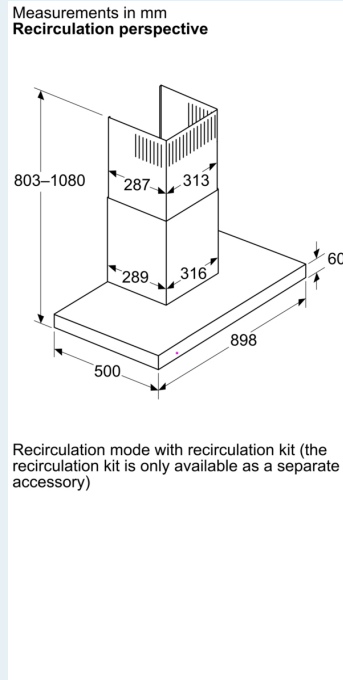
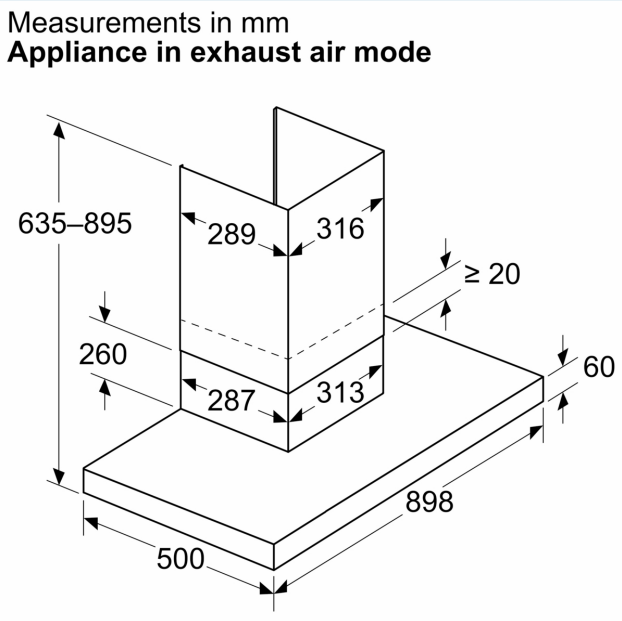
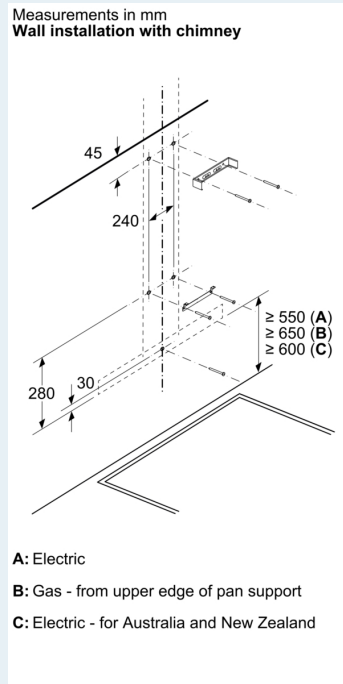
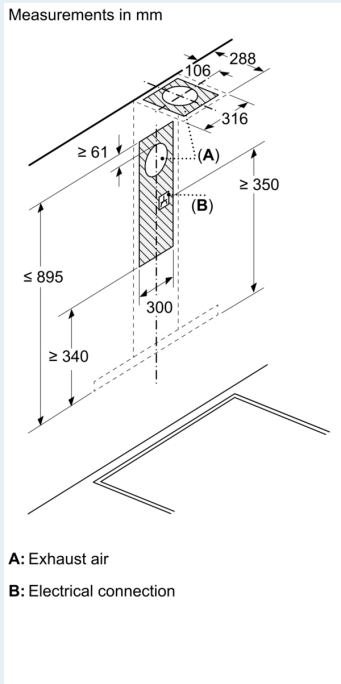
- Consumption data:
- Power rating: 115 W
- Voltage: Nominal voltage: 220 - 240 V
- Sustainability:
- Made in Germany: produced at a CO2 neutral production site
- Environmentally friendly packaging
- Most efficient blower technology available on the market
- Available Long-life Clean Air odour filter with extended lifetime up to 4 times

#### Planning and Installation Information:

- Dimensions exhaust air (HxWxD): 635-895 x 898 x 500 mm
- Dimensions recirculating (HxWxD): 803-943 x 898 x 500 mm
- Diameter pipe Ø 150 mm
- Electrical cable length 1.3 m

**iQ500, Wall-mounted cooker hood, 90 cm, Matt black LC97BDN60B**

**Dimensioned drawings**



Dimensioned drawings

Measurements in mm  
**Wall panel depth**

