

**iQ300, Wall-mounted cooker hood, 90 cm, Matt black LC95BCC60B**



Optional accessories	
LZ11FBI16	Long-life Clean Air recirculation kit

- ✓ Illuminate your cooking space with LED lights for optimal visibility and ambience setting.
- ✓ The filters which need to be cleaned for maximum efficiency, can be easily washed in the dishwasher.
- ✓ Extended Spare Parts availability: Powering appliance endurance.

**Features**

**Technical Data**

Typology:	..... Wall-mounted
Length electrical supply cord:	..... 130 cm
Height of the appliance:	..... 60 mm
Minimum distance above an electric hob:	..... 550 mm
Minimum distance above a gas hob:	..... 650 mm
Weight:	..... 10.8 kg
Control panel:	..... Mechanical
Number of speed settings:	..... 3
Maximum output air extraction:	..... 594 m³/h
Maximum output recirculating air:	..... 569 m³/h
Maximum Air flow:	..... 594 m³/h
Number of lights:	..... 2
Noise level:	..... 67 dB(A) re 1pW
Diameter of air outlet:	..... 150 mm
Grease filter material:	..... Washable stainless steel
EAN code:	..... 4242003976319
Connection Rating:	..... 200 W
Nominal power:	..... 220-240 V
Frequency:	..... 50 Hz
Plug type:	..... GB plug
Installation type:	..... Wall-mounted



## iQ300, Wall-mounted cooker hood, 90 cm, Matt black LC95BCC60B

### Features

#### Design:

- Standard design
- wall-mounted
- Suitable for ducted and re-circulating operation

#### Core Features:

- Capacitor energy efficient
- 2 x LED 1.5W
- Colour Temperature: 3500 K
- Light Intensity: 265 lux
- 3 metal grease filter(s).

#### Comfort Features:

- Push button control for extractor speeds and light
- 3 x power levels

#### Cleaning Comfort:

- Easy to clean smooth surfaces and materials.
- Steel filter cover dishwasher-safe
- Coated surfaces for less fingerprint sensitivity

#### Exhaust Mode:

- According to EN 61591 and EN/ IEC 60704-2-13 your appliance can achieve the following values in exhaust mode:
- Speed 1: extraction rate 361 m<sup>3</sup>/h; noise level 57 dB(A) re1pW
- Speed 2: extraction rate 469 m<sup>3</sup>/h; noise level 63 dB(A) re1pW
- Speed 3: extraction rate 594 m<sup>3</sup>/h; noise level 67 dB (A) re1pW
- Energy Efficiency Class: B (at a range of energy efficiency classes from A+++ to D)
- Average Energy Consumption: 72 kWh/year\*
- Blower Efficiency Class: B\*
- Lighting Efficiency Class: A\*
- Grease Filtering Efficiency Class: B\*

#### Recirculation Mode:

- For recirculation operation Long-life Clean Air recirculation kit (accessory) needed
- The Long-life Clean Air odour filter absorbs intense odours, such as fish, as well as pollen. The lifetime can be extended up to 4 times by refreshing the filter in the oven
- According to EN 61591 and EN/ IEC 60704-2-13 your appliance can achieve the following values in recirculation mode with Long-life Clean Air recirculation kit (available as optional accessory):
- Speed 1: extraction rate 360 m<sup>3</sup>/h; noise level 60 dB(A) re1pW
- Speed 2: extraction rate 477 m<sup>3</sup>/h; noise level 67 dB(A) re1pW
- Speed 3: extraction rate 569 m<sup>3</sup>/h; noise level 71 dB (A) re1pW

#### Technical Information and Sustainability:

- Consumption data:
- Power rating: 200 W
- Voltage: Nominal voltage: 220 - 240 V
- Sustainability:
- Made in Germany: produced at a CO<sub>2</sub> neutral production site

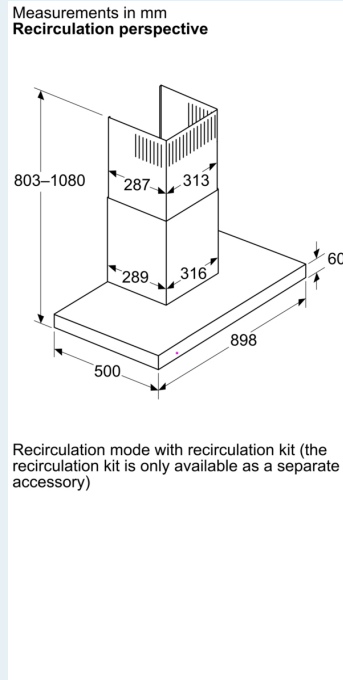
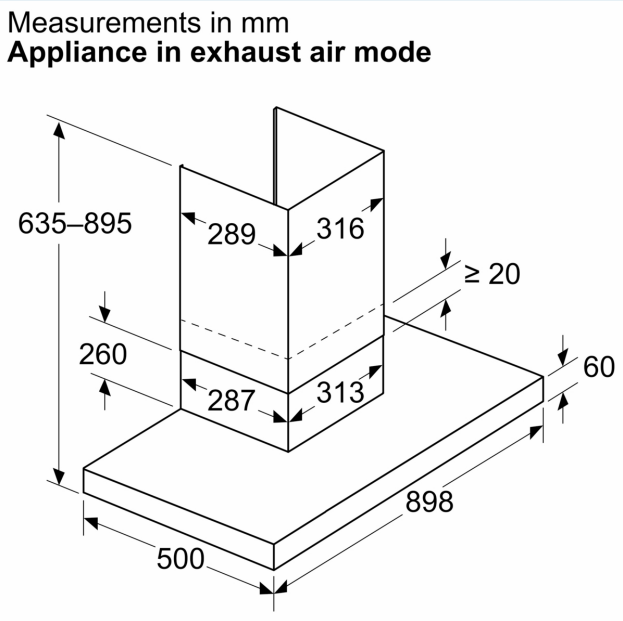
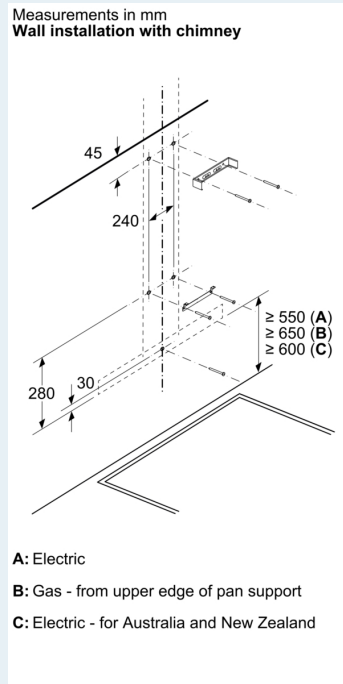
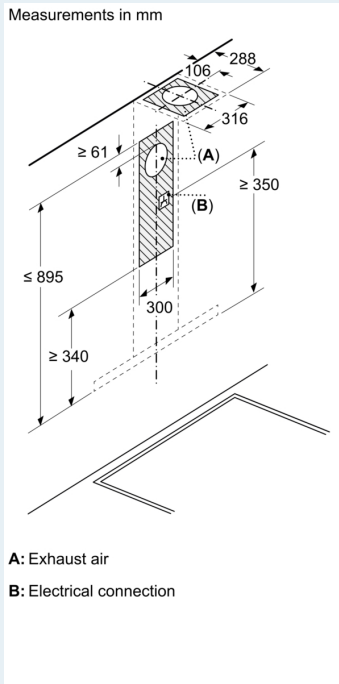
- Environmentally friendly packaging
- Available Long-life Clean Air odour filter with extended lifetime up to 4 times

#### Planning and Installation Information:

- Dimensions exhaust air (HxWxD): 635-895 x 898 x 500 mm
- Dimensions recirculating (HxWxD): 803-943 x 898 x 500 mm
- Diameter pipe Ø 150 mm
- Electrical cable length 1.3 m

iQ300, Wall-mounted cooker hood, 90 cm, Matt black  
LC95BCC60B

Dimensioned drawings



Dimensioned drawings

Measurements in mm  
**Wall panel depth**

