

iQ300, Wall-mounted cooker hood, 60 cm, clear glass black printed LC67KHM60B



Angled extractor hood with outstanding design and high extraction rate for a powerful performance.

- ✓ Illuminate your cooking space with LED lights for optimal visibility and ambience setting.
- ✓ touchControl: quickly and easily manage the power levels and the LED light

Typology: Wall-mounted
 Length electrical supply cord: 130.0 cm
 Height of the appliance: 323 mm
 Minimum distance above an electric hob: 450 mm
 Minimum distance above a gas hob: 650 mm
 Weight: 20.2 kg
 Control panel: Electronic
 Number of speed settings: 3-stages + intensive setting
 Maximum output air extraction: 416 m³/h
 Boost position output recirculating: 469 m³/h
 Maximum output recirculating air: 367 m³/h
 Boost position air extraction: 700 m³/h
 Maximum Air flow: 416 m³/h
 Number of lights: 2
 Noise level: 58 dB(A) re 1pW
 Diameter of air outlet: 120 / 150 mm
 Grease filter material: Washable aluminium
 EAN code: 4242003760925
 Connection Rating: 263 W
 Fuse protection: 10 A
 Nominal power: 220-240 V
 Frequency: 50; 60 Hz
 Plug type: GB plug
 Installation type: Wall-mounted



- LZ00XP00 Long Life odor filter (replacement)
- LZ10AKR00 Long Life recirculation kit (chimless)
- LZ10AKS00 Long Life recirculation kit
- LZ10AXK50 Chimney extension 1000 mm
- LZ10AXL50 Chimney extension 1500 mm
- LZ11AKB16 Clean Air Plus odor filter (replacement)
- LZ11AKI16 Clean Air Plus recirculation kit
- LZ11AKV16 Clean Air Plus recirc. kit (chimless)
- LZ11AXC56 Clean Air Plus recirc. kit external
- LZ11AXE61 Chimney standard black
- LZ31XXB16 Clean Air Plus odor filter (replacement)

iQ300, Wall-mounted cooker hood, 60 cm, clear glass black printed LC67KHM60B

Key performance features:

- Energy Efficiency Class: B (at a range of energy efficiency classes from A+++ to D)
- Extraction rate according to EN 61591 ø 15 cm:
- max. Normal use 416m³/h
- Intensive 700 m³/h
- Noise max. Normal Level: Noise, max. speed in normal us: 58 dB dB*

Features

- 3 x power levels plus intensive setting
- 2 x 1.5W LED
- Colour Temperature: 3500 K
- Twin channel high performance fan motor
- Automatic intensive revert (6mins)
- 2 x metal grease filter cassettes
- easy to clean Inner frame
- Installation: wall
- Rim ventilation

Design

- Black glass
- Chimney hood
- touchControl for extractor speeds and light
- Electronic control

Performance/technical information

- Suitable for ducted and re-circulating operation
- In recirculation operation chimless use possible
- For recirculated extraction a recirculating kit or a CleanAir recirculation kit (accessory) is needed
- Installation system: Wall fixing inclined/flat/cube
- Max. extraction rate: 700 m³/h
- Noise level according to EN 60704-3 and EN 60704-2-13 exhaust air:
- Max. normal use: 58dB(A) re 1 pW
- Intensive: 67 dB(A) re 1 pW
- Power rating: 263 W
- Light Intensity: 100 lux
- Electrical cable length 1.3 m
- Diameter pipe Ø 150 mm (Ø 120 mm enclosed)
- Dimensions exhaust air (HxWxD): 928-1198 x 590 x 499 mm
- Dimensions recirculating, chimney (HxWxD): 988-1258 x 590 x 499mm
- Dimensions recirculating, chimless (HxWxD): 452 mm x 590 x 499 mm
- Dimensions recirculating with CleanAir module (HxWxD):
- 1118 x 590 x 499mm - mounting with outer chimney
- 1188-1458 x 590 x 499 mm - mounting with telescopic chimney
- Blower Efficiency Class: B*
- Lighting Efficiency Class: B*

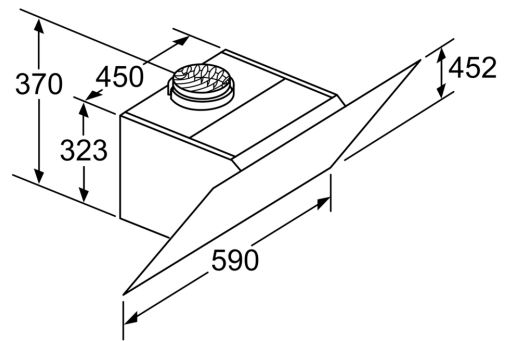
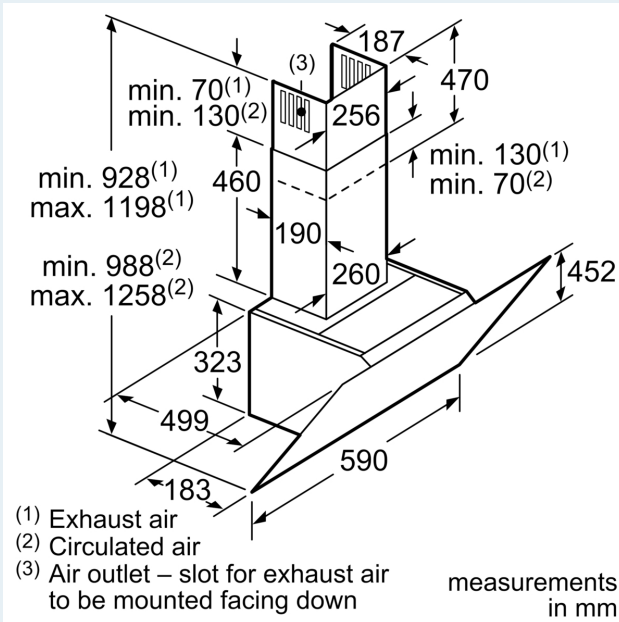
- Grease Filtering Efficiency Class: C*
- Average Energy Consumption: 56.6 kWh/year*

Optional accessories

- Recirculating kit LZ00XXP00

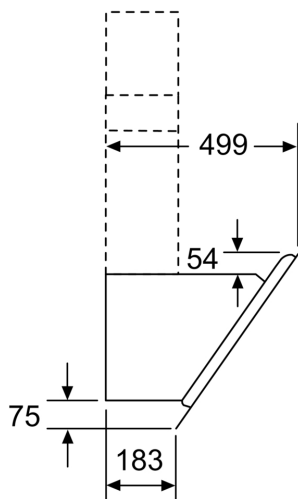
* In accordance with the EU-Regulation No 65/2014

iQ300, Wall-mounted cooker hood, 60 cm, clear glass black printed LC67KHM60B

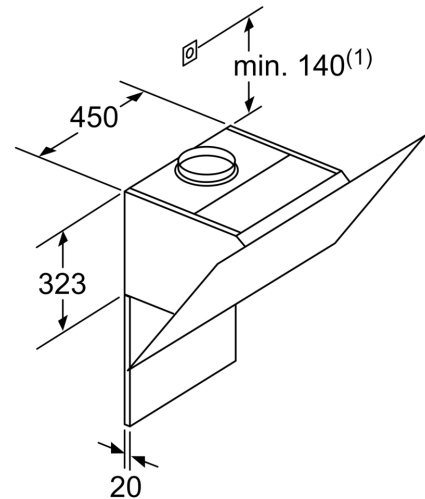


Appliance in circulated air mode without duct
 Circulated air set required

measurements in mm



measurements in mm



(1) Position of socket

Note the maximum thickness of the back panel.

measurements in mm

