

## iQ300, Wall-mounted cooker hood, 60 cm, clear glass LC67GHM50B



**B**



Glass design extractor hood with a high extraction rate.

- ✓ LED lights: for optimal visibility and ambience while cooking.
- ✓ touchControl: quickly and easily manage the power levels and the LED light
- ✓ Fast-acting extraction for sudden bursts of steam - Intensive Setting

### Features

#### Technical Data

Typology : Wall-mounted  
 Length of electrical supply cord : 130.0 cm  
 Height of the chimney : 576-906/576-998 mm  
 Height of the appliance : 59 mm  
 Minimum distance above an electric hob : 550 mm  
 Minimum distance above a gas hob : 650 mm  
 Net weight : 14.2 kg  
 Type of control : Electronic  
 Maximum output air extraction : 470 m<sup>3</sup>/h  
 Boost position output recirculating : 499 m<sup>3</sup>/h  
 Maximum output recirculating air : 404 m<sup>3</sup>/h  
 Boost position air extraction : 697 m<sup>3</sup>/h  
 Number of lights (Stck) : 2  
 Noise level : 64 dB(A) re 1 pW  
 Diameter of air outlet : 120 / 150 mm  
 Grease filter material : Washable stainless steel  
 EAN code : 4242003811139  
 Connection rating : 255 W  
 Fuse protection : 10 A  
 Voltage : 220-240 V  
 Frequency : 50; 60 Hz  
 Plug type : GB plug  
 Installation type : Wall-mounted

### Optional accessories

LZ50661	Backboard 60 x 72 cm
LZ31XXB16	Clean Air Plus odor filter (replacement)
LZ12350	Chimney extension 1500 mm
LZ12250	Chimney extension 1000 mm
LZ11FXD51	Long Life recirculation kit external
LZ11FXC56	Clean Air Plus recirc. kit external
LZ11DXI16	Clean Air Plus recirculation kit
LZ11DXI14	Clean Air Standard recirculation kit
LZ10FXJ00	Long Life recirculation kit



4 242003 811139

## iQ300, Wall-mounted cooker hood, 60 cm, clear glass LC67GHM50B

### Features

#### Key performance features:

- Energy Efficiency Class: B (at a range of energy efficiency classes from A+++ to D)
- Extraction rate according to EN 61591 ø 15 cm:
- max. Normal use 470 m<sup>3</sup>/h
- Intensive 697 m<sup>3</sup>/h
- Noise max. Normal Level: Noise, max. speed in normal us: 64 dB dB\*

#### Features

- touchControl for extractor speeds and light
- touchControl with Electronic display
- 3 x power levels plus intensive setting
- Twin channel high performance fan motor
- 2 x 1.5W LED
- Colour Temperature: 3500 K
- Automatic intensive revert (6mins)
- 1 x metal grease filter cassette
- Steel filter cover
- Installation: wall

#### Design

- Chimney hood
- Electronic control

#### Performance/technical information

- Suitable for ducted and re-circulating operation
- For recirculated extraction a recirculating kit or a CleanAir recirculation kit (accessory) is needed
- Max. extraction rate: 697 m<sup>3</sup>/h
- Noise level according to EN 60704-3 and EN 60704-2-13 exhaust air:
- Max. normal use: 64 dB(A) re 1 pW
- Intensive: 72 dB(A) re 1 pW
- Power rating: 255 W
- Light Intensity: 281 lux
- Electrical cable length 1.3 m
- Diameter pipe Ø 150 mm (Ø 120 mm enclosed)
- Dimensions exhaust air (HxWxD): 635-965 x 600 x 525 mm
- Dimensions recirculating, chimney (HxWxD): 635-1075 x 600 x 525mm
- 
- Dimensions recirculating with CleanAir module (HxWxD):
- 703 x 600 x 525mm - mounting with outer chimney
- 833-1163 x 600 x 525 mm - mounting with telescopic chimney
- Blower Efficiency Class: B\*
- Lighting Efficiency Class: A\*
- Grease Filtering Efficiency Class: B\*
- Average Energy Consumption: 62.8 kWh/year\*

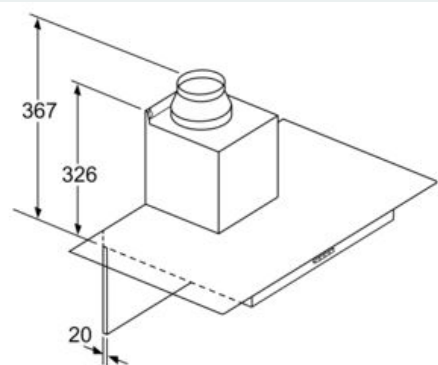
#### Optional accessories

- Recirculating kit LZ00XXP00

\* In accordance with the EU-Regulation No 65/2014

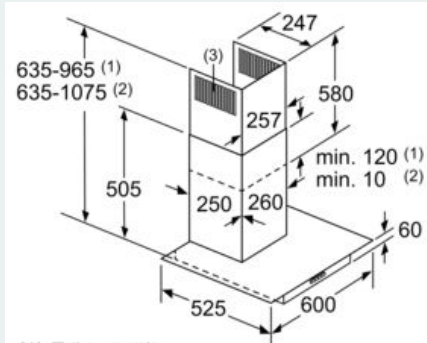
## iQ300, Wall-mounted cooker hood, 60 cm, clear glass LC67GHM50B

### Dimensioned drawings



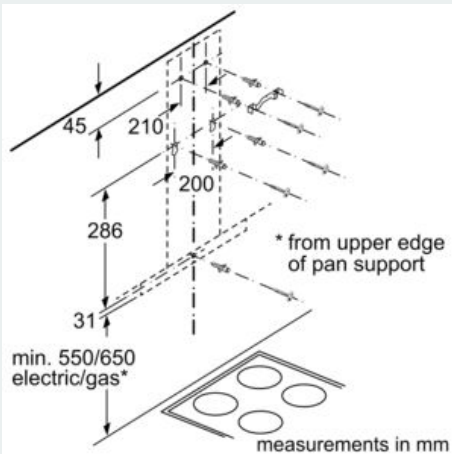
If a back panel is used, the design of the appliance must be considered.

measurements in mm

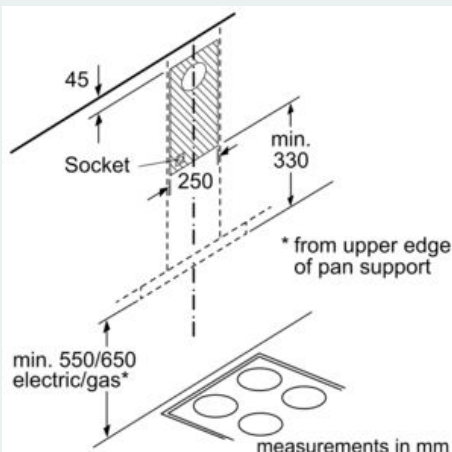


- (1) Exhaust air
- (2) Circulated air
- (3) Air outlet – slots for exhaust air to be mounted facing down

measurements in mm



measurements in mm



measurements in mm