

## iQ500, Wall-mounted cooker hood, 60 cm, Matt black LC67BDN60B



- ✓ Home Connect – The app that makes your hood work smarter.
- ✓ Extended Spare Parts availability: Powering appliance endurance.
- ✓ Remote Control: Manage your appliances whenever, from wherever.
- ✓ Remote Diagnostic: Simplified maintenance and repair.
- ✓ The filters which need to be cleaned for maximum efficiency, can be easily washed in the dishwasher.

### Features

#### Technical Data

Typology: ..... Wall-mounted  
 Length electrical supply cord: ..... 130 cm  
 Height of the appliance: ..... 60 mm  
 Minimum distance above an electric hob: ..... 550 mm  
 Minimum distance above a gas hob: ..... 650 mm  
 Weight: ..... 12.0 kg  
 Control panel: ..... Electronic  
 Number of speed settings: ..... 3-stages + intensive setting  
 Maximum output air extraction: ..... 399 m<sup>3</sup>/h  
 Boost position output recirculating: ..... 677.0 m<sup>3</sup>/h  
 Maximum output recirculating air: ..... 410 m<sup>3</sup>/h  
 Boost position air extraction: ..... 699 m<sup>3</sup>/h  
 Maximum Air flow: ..... 399 m<sup>3</sup>/h  
 Number of lights: ..... 2  
 Noise level: ..... 56 dB(A) re 1pW  
 Diameter of air outlet: ..... 150 mm  
 Grease filter material: ..... Washable stainless steel  
 EAN code: ..... 4242003976289  
 Connection Rating: ..... 115 W  
 Nominal power: ..... 220-240 V  
 Frequency: ..... 50 Hz  
 Plug type: ..... GB plug  
 Installation type: ..... Wall-mounted



### Optional accessories

LZ11FBI16 Long-life Clean Air recirculation kit

## iQ500, Wall-mounted cooker hood, 60 cm, Matt black LC67BDN60B

### Features

#### Design:

- wall-mounted
- Suitable for ducted and re-circulating operation

#### Core Features:

- Efficient BLDC motor
- 2 x LED 3W with Colour temperature adjustable
- softLight with dimmer function : the lighting elements switch on and off smoothly.
- softLight with dimmer function : the brightness of the lighting elements can be adjusted.
- Colour Temperature: 3500 K
- Light Intensity: 501 lux
- 2 metal grease filter(s).

#### Comfort Features:

- glass front panel with integrated control elements for an easy operation
- Electronic control via touchControl, backlitged
- 3 x power levels plus intensive setting
- Automatic reset from intensive to normal setting after 6 min
- Automatic after running (10 minutes)

#### Digital Features:

- Home Connect: operate, monitor and set preferences of your hood via smartphone or tablet (only in countries where Home Connect service is available)
- cookConnect hob based hood control: automatically activates the hood when cooking, thanks to the WiFi connection of hood and suitable hob.
- Voice Control enabled via popular voice assistants (only in countries where this service is available)
- LED light with adjustable light temperature: Allows you to adapt the light temperature to your personal needs via Home Connect App
- After run function: available via Home Connect App
- Interval function: available via Home Connect App
- The Home Connect functionality can be extended by integrating numerous applications from external cooperation partners (partnerships)

#### Cleaning Comfort:

- Easy to clean smooth surfaces and materials.
- Steel filter cover dishwasher-safe
- Coated surfaces for less fingerprint sensitivity

#### Exhaust Mode:

- According to EN 61591 and EN/ IEC 60704-2-13 your appliance can achieve the following values in exhaust mode: Speed 1: extraction rate 242 m3/h; noise level 43 dB (A) re1pW Speed 2: extraction rate 335 m3/h; noise level 51 dB (A) re1pW Speed 3: extraction rate 399 m3/h; noise level 56 dB (A) re1pW Intensive 1: extraction rate 699 m3/h; noise level 68 dB (A) re1pW
- Energy Efficiency Class: A++ (at a range of energy efficiency classes from A+++ to D)

- Average Energy Consumption: 24.5 kWh/year\*
- Blower Efficiency Class: A\*
- Lighting Efficiency Class: A\*
- Grease Filtering Efficiency Class: B\*

#### Recirculation Mode:

- For recirculation operation Long-life Clean Air recirculation kit (accessory) needed
- The Long-life Clean Air odour filter absorbs intense odours, such as fish, as well as pollen. The lifetime can be extended up to 4 times by refreshing the filter in the oven
- According to EN 61591 and EN/ IEC 60704-2-13 your appliance can achieve the following values in recirculation mode with Long-life Clean Air recirculation kit (available as optional accessory):
- Speed 1: extraction rate 239 m3/h; noise level 50 dB(A) re1pW
- Speed 2: extraction rate 334 m3/h; noise level 59 dB(A) re1pW
- Speed 3: extraction rate 410 m3/h; noise level 64 dB(A) re1pW
- Intensive Speed 1: extraction rate 677 m3/h; noise level 73 dB (A) re1pW

#### Technical Information and Sustainability:

- Consumption data:
- Power rating: 115 W
- Voltage: Nominal voltage: 220 - 240 V
- Sustainability:
- Made in Germany: produced at a CO2 neutral production site
- Environmentally friendly packaging
- Most efficient blower technology available on the market
- Available Long-life Clean Air odour filter with extended lifetime up to 4 times

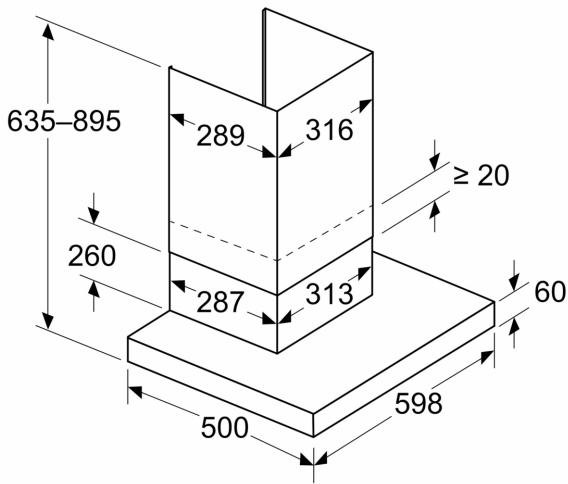
#### Planning and Installation Information:

- Dimensions exhaust air (HxWxD): 635-895 x 598 x 500 mm
- Dimensions recirculating (HxWxD): 803-943 x 598 x 500 mm
- Diameter pipe Ø 150 mm
- Electrical cable length 1.3 m

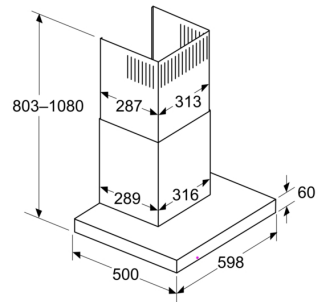
**iQ500, Wall-mounted cooker hood, 60 cm, Matt black  
LC67BDN60B**

Dimensioned drawings

Measurements in mm  
**Appliance in exhaust air mode**

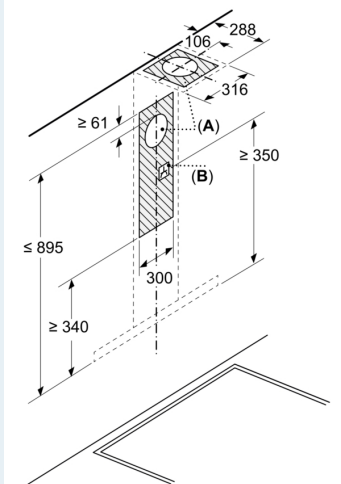


Measurements in mm  
**Recirculation perspective**



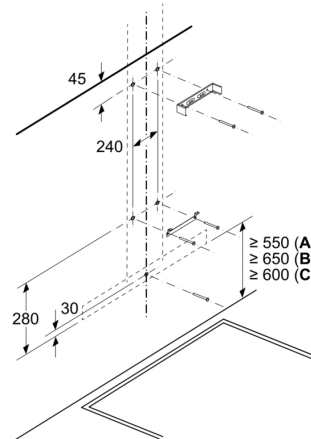
Recirculation mode with recirculation kit (the recirculation kit is only available as a separate accessory)

Measurements in mm



**A:** Exhaust air  
**B:** Electrical connection

Measurements in mm  
**Wall installation with chimney**



**A:** Electric  
**B:** Gas - from upper edge of pan support  
**C:** Electric - for Australia and New Zealand

Dimensioned drawings

Measurements in mm  
**Wall panel depth**

