

## iQ300, Wall-mounted cooker hood, 60 cm, clear glass, Stainless steel LC67AFM50B



Glass design extractor hood with a high extraction rate.

- ✓ Illuminate your cooking space with LED lights for optimal visibility and ambience setting.
- ✓ touchControl: quickly and easily manage the power levels and the LED light

LZ00XP00	Long Life odor filter (replacement)
LZ10FXJ00	Long Life recirculation kit
LZ11DXB14	Clean Air Standard odor filter (repl.)
LZ11DXI14	Clean Air Standard recirculation kit
LZ11DXI16	Clean Air Plus recirculation kit
LZ11FXC56	Clean Air Plus recirc. kit external
LZ11FXD51	Long Life recirculation kit external
LZ12250	Chimney extension 1000 mm
LZ12350	Chimney extension 1500 mm
LZ31XXB16	Clean Air Plus odor filter (replacement)
LZ50660	Backboard 60 x 65 cm
LZ50661	Backboard 60 x 72 cm

Typology:	Wall-mounted
Length electrical supply cord:	130.0 cm
Height of the chimney:	576-897/576-1007 mm
Height of the appliance:	50 mm
Minimum distance above an electric hob:	550 mm
Minimum distance above a gas hob:	650 mm
Weight:	15.4 kg
Control panel:	Electronic
Number of speed settings:	3-stages + intensive setting
Maximum output air extraction:	474 m <sup>3</sup> /h
Boost position output recirculating:	499 m <sup>3</sup> /h
Maximum output recirculating air:	404 m <sup>3</sup> /h
Boost position air extraction:	715 m <sup>3</sup> /h
Maximum Air flow:	474 m <sup>3</sup> /h
Number of lights:	2
Noise level:	67 dB(A) re 1pW
Diameter of air outlet:	120 / 150 mm
Grease filter material:	Washable stainless steel
EAN code:	4242003800447
Connection Rating:	255 W
Fuse protection:	10 A
Nominal power:	220-240 V
Frequency:	50; 60 Hz
Plug type:	GB plug
Installation type:	Wall-mounted



## iQ300, Wall-mounted cooker hood, 60 cm, clear glass, Stainless steel LC67AFM50B

### Key performance features:

- Energy Efficiency Class: B (at a range of energy efficiency classes from A+++ to D)
- Extraction rate according to EN 61591  $\varnothing$  15 cm:
- max. Normal use: 474 m<sup>3</sup>/h
- Intensive: 715 m<sup>3</sup>/h
- Noise max. Normal Level: Noise, max. speed in normal use: 67 dB dB\*

### Features

- touchControl for extractor speeds and light
- touchControl with Electronic display
- 3 x power levels plus intensive setting
- Twin channel high performance fan motor
- 2 x 1.5W LED
- Colour Temperature: 3500 K
- Automatic intensive revert (6mins)
- 1 x metal grease filter cassette
- Steel filter cover
- Installation: wall

### Design

- Chimney hood
- Electronic control

### Performance/technical information

- Suitable for ducted and re-circulating operation
- For recirculated extraction a recirculating kit or a CleanAir recirculation kit (accessory) is needed
- Max. extraction rate: 715 m<sup>3</sup>/h
- Noise level according to EN 60704-3 and EN 60704-2-13 exhaust air:
- Max. normal use: 67dB(A) re 1 pW
- Intensive: 74 dB(A) re 1 pW
- With the Clean Air Plus recirculation kit (available as optional accessory) your appliances reaches:
- Extraction rate in recirculation mode: Max. normal use: 404 m<sup>3</sup>/h
- Intensive: 499 m<sup>3</sup>/h
- Noise level in recirculation mode: Max. normal use: 72dB(A) re 1 pW
- Intensive: 76 dB(A) re 1 pW
- Power rating: 255 W
- Light Intensity: 276 lux
- Electrical cable length 1.3 m
- Diameter pipe  $\varnothing$  150 mm ( $\varnothing$  120 mm enclosed)
- Dimensions exhaust air (HxWxD): 617-947 x 600 x 488 mm
- Dimensions recirculating, chimney (HxWxD): 617-1057 x 600 x 488mm
- Dimensions recirculating with CleanAir module (HxWxD):
- 686 x 600 x 488mm - mounting with outer chimney
- 815-1145 x 600 x 488 mm - mounting with telescopic chimney
- Blower Efficiency Class: B\*

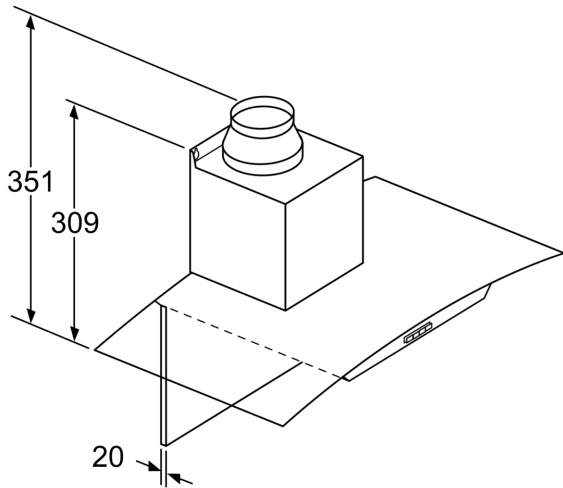
- Lighting Efficiency Class: A\*
- Grease Filtering Efficiency Class: B\*
- Average Energy Consumption: 57.7 kWh/year\*

### Optional accessories

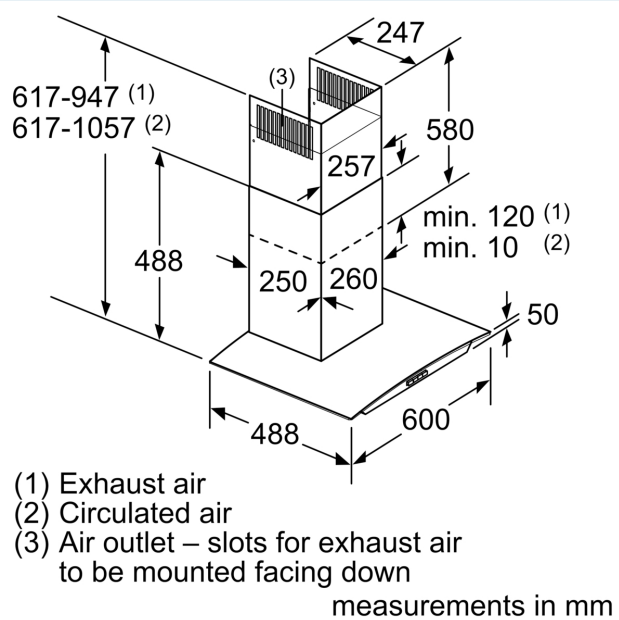
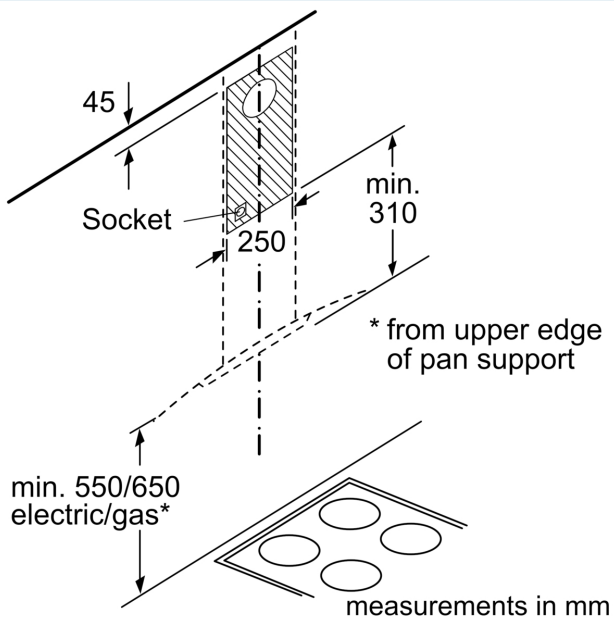
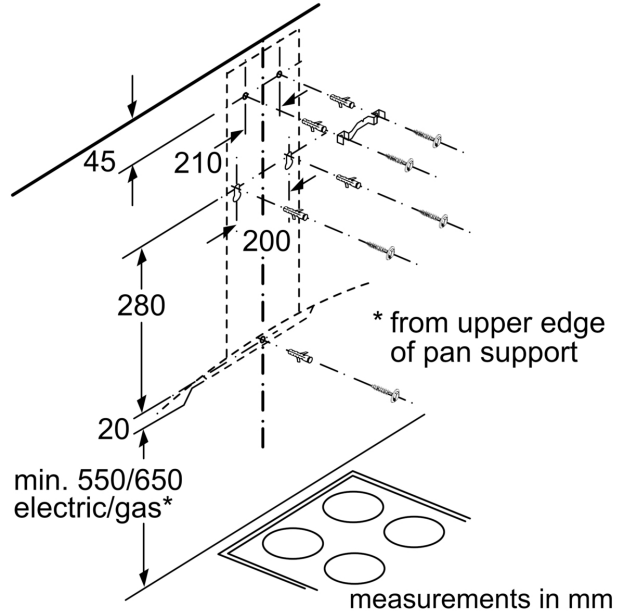
- Recirculating kit LZ00XXP00

\* In accordance with the EU-Regulation No 65/2014

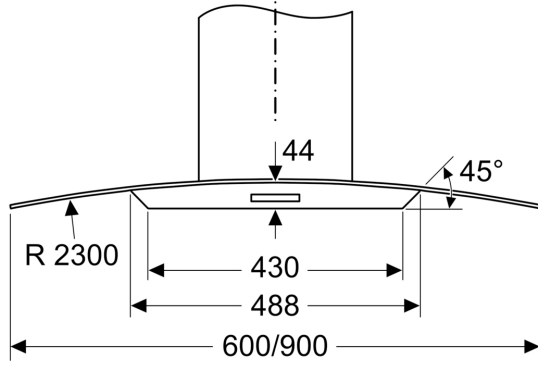
**iQ300, Wall-mounted cooker hood, 60 cm, clear glass, Stainless steel  
LC67AFM50B**



If a back panel is used, the design of the appliance must be considered. measurements in mm



measurements in mm



Dimensions for designing rear wall panels.  
Please ensure that all dimensions are within  
the tolerances. The actual dimensions must  
be checked on the appliance in question.