

iQ300, Wall-mounted cooker hood, 60 cm, Matt black LC65BCC60B



Optional accessories

LZ11FBI16 Long-life Clean Air recirculation kit

- ✓ Illuminate your cooking space with LED lights for optimal visibility and ambience setting.
- ✓ The filters which need to be cleaned for maximum efficiency, can be easily washed in the dishwasher.
- ✓ Extended Spare Parts availability: Powering appliance endurance.

Features

Technical Data

Typology: Wall-mounted
 Length electrical supply cord: 130 cm
 Height of the appliance: 60 mm
 Minimum distance above an electric hob: 550 mm
 Minimum distance above a gas hob: 650 mm
 Weight: 12.0 kg
 Control panel: Mechanical
 Number of speed settings: 3
 Maximum output air extraction: 594 m³/h
 Maximum output recirculating air: 569 m³/h
 Maximum Air flow: 594 m³/h
 Number of lights: 2
 Noise level: 67 dB(A) re 1pW
 Diameter of air outlet: 150 mm
 Grease filter material: Washable stainless steel
 EAN code: 4242003976258
 Connection Rating: 200 W
 Nominal power: 220-240 V
 Frequency: 50 Hz
 Plug type: GB plug
 Installation type: Wall-mounted



iQ300, Wall-mounted cooker hood, 60 cm, Matt black LC65BCC60B

Features

Design:

- Standard design
- wall-mounted
- Suitable for ducted and re-circulating operation

Core Features:

- Capacitor energy efficient
- 2 x LED 1.5W
- Colour Temperature: 3500 K
- Light Intensity: 293 lux
- 2 metal grease filter(s).

Comfort Features:

- Push button control for extractor speeds and light
- 3 x power levels

Cleaning Comfort:

- Easy to clean smooth surfaces and materials.
- Steel filter cover dishwasher-safe
- Coated surfaces for less fingerprint sensitivity

Exhaust Mode:

- According to EN 61591 and EN/ IEC 60704-2-13 your appliance can achieve the following values in exhaust mode:
- Speed 1: extraction rate 361 m³/h; noise level 57 dB(A) re1pW
- Speed 2: extraction rate 469 m³/h; noise level 63 dB(A) re1pW
- Speed 3: extraction rate 594 m³/h; noise level 67 dB (A) re1pW
- Energy Efficiency Class: B (at a range of energy efficiency classes from A+++ to D)
- Average Energy Consumption: 72 kWh/year*
- Blower Efficiency Class: B*
- Lighting Efficiency Class: A*
- Grease Filtering Efficiency Class: B*

Recirculation Mode:

- For recirculation operation Long-life Clean Air recirculation kit (accessory) needed
- The Long-life Clean Air odour filter absorbs intense odours, such as fish, as well as pollen. The lifetime can be extended up to 4 times by refreshing the filter in the oven
- According to EN 61591 and EN/ IEC 60704-2-13 your appliance can achieve the following values in recirculation mode with Long-life Clean Air recirculation kit (available as optional accessory):
- Speed 1: extraction rate 360 m³/h; noise level 60 dB(A) re1pW
- Speed 2: extraction rate 477 m³/h; noise level 67 dB(A) re1pW
- Speed 3: extraction rate 569 m³/h; noise level 71 dB (A) re1pW

Technical Information and Sustainability:

- Consumption data:
- Power rating: 200 W
- Voltage: Nominal voltage: 220 - 240 V
- Sustainability:
- Made in Germany: produced at a CO₂ neutral production site

- Environmentally friendly packaging
- Available Long-life Clean Air odour filter with extended lifetime up to 4 times

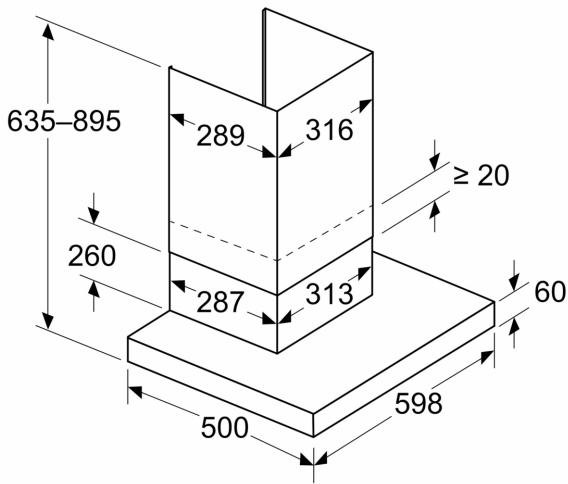
Planning and Installation Information:

- Dimensions exhaust air (HxWxD): 635-895 x 598 x 500 mm
- Dimensions recirculating (HxWxD): 803-943 x 598 x 500 mm
- Diameter pipe Ø 150 mm
- Electrical cable length 1.3 m

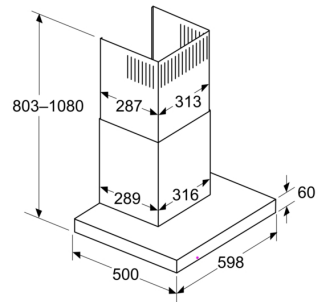
**iQ300, Wall-mounted cooker hood, 60 cm, Matt black
LC65BCC60B**

Dimensioned drawings

Measurements in mm
Appliance in exhaust air mode

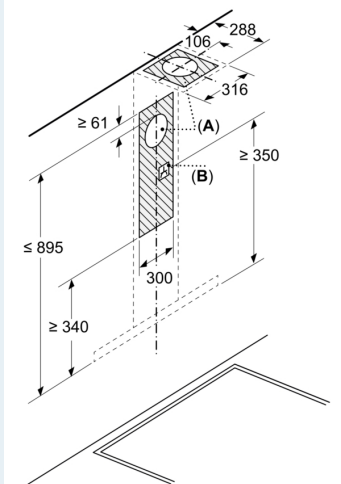


Measurements in mm
Recirculation perspective



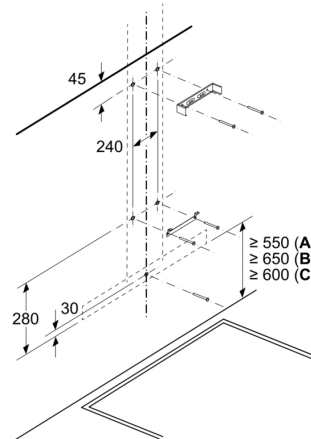
Recirculation mode with recirculation kit (the recirculation kit is only available as a separate accessory)

Measurements in mm



A: Exhaust air
B: Electrical connection

Measurements in mm
Wall installation with chimney



A: Electric
B: Gas - from upper edge of pan support
C: Electric - for Australia and New Zealand

Dimensioned drawings

Measurements in mm
Wall panel depth

