

iQ300, Canopy cooker hood, 75 cm, Silver metallic LB75566GB



Optional accessories

LZ73050 Standard odor filter

- ✓ Illuminate your cooking space with LED lights for optimal visibility and ambience setting.
- ✓ The filters which need to be cleaned for maximum efficiency, can be easily washed in the dishwasher.
- ✓ Extended Spare Parts availability: Powering appliance endurance.

Features

Technical Data

Typology: Built-in/Built-under
 Length electrical supply cord: 130 cm
 Required niche size for installation (HxWxD): 215mm x 700.0mm x 350mm mm
 Height of the appliance: 215 mm
 Minimum distance above an electric hob: 650 mm
 Minimum distance above a gas hob: 650 mm
 Weight: 9.4 kg
 Control panel: Mechanical
 Number of speed settings: 3-stages + intensive setting
 Maximum output air extraction: 468 m³/h
 Boost position output recirculating: 324.0 m³/h
 Maximum output recirculating air: 281 m³/h
 Boost position air extraction: 614 m³/h
 Maximum Air flow: 468 m³/h
 Number of lights: 2
 Noise level: 63 dB(A) re 1pW
 Diameter of air outlet: 150 mm
 Grease filter material: Washable aluminium
 EAN code: 4242003979273
 Connection Rating: 206 W
 Nominal power: 220-240 V
 Frequency: 50 Hz
 Plug type: GB plug
 Installation type: Built-in



iQ300, Canopy cooker hood, 75 cm, Silver metallic LB75566GB

Features

Design:

- Canopy hood
- For installation under an overhead canopy kitchen unit
- Suitable for ducted and re-circulating operation

Core Features:

- Capacitor motor
- 2 x LED spot 2.15W (low volt)
- Colour Temperature: 3500 K
- Light Intensity: 410 lux
- 2 metal grease filter(s).

Comfort Features:

- Slider switch control
- 3 x power levels plus intensive setting

Cleaning Comfort:

- Steel filter cover dishwasher-safe

Performance Exhaust:

- According to EN 61591 and EN/ IEC 60704-2-13 your appliance can achieve the following values in exhaust mode: Speed 1: extraction rate 229 m³/h; noise level 46 dB (A) re1pW Speed 2: extraction rate 371 m³/h; noise level 57 dB (A) re1pW Speed 3: extraction rate 468 m³/h; noise level 63 dB (A) re1pW Intensive 1: extraction rate 614 m³/h; noise level 68 dB (A) re1pW
- Energy Efficiency Class: D (at a range of energy efficiency classes from A+++ to D)
- Average Energy Consumption: 88.1 kWh/year*
- Blower Efficiency Class: D*
- Lighting Efficiency Class: A*
- Grease Filtering Efficiency Class: B*

Performance Recirculation:

- For recirculated extraction charcoal filter (accessory) needed
- According to EN 61591 and EN/ IEC 60704-2-13 your appliance can achieve the following values in recirculation mode with standard recirculation kit (available as optional accessory): Speed 1: extraction rate 140 m³/h; noise level 56 dB (A) re1pW Speed 2: extraction rate 231 m³/h; noise level 67 dB (A) re1pW Speed 3: extraction rate 281 m³/h ; noise level 70 dB (A) re1pW Intensive Speed 1: extraction rate 324 m³/h; noise level 73 dB (A) re1pW)

Technical Information and Sustainability:

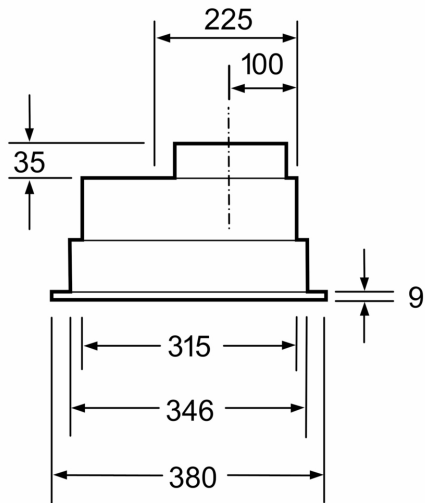
- Consumption data:
- Power rating: 206 W
- Voltage: Nominal voltage: 220 - 240 V
- Sustainability:
- Made in Germany: produced at a CO2 neutral production site

Planning and Installation Information:

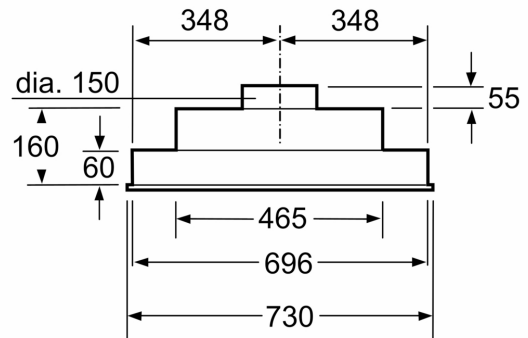
- Dimensions (HxWxD): 215 x 730 x 380 mm
- Built-in dimensions (HxWxD): 215 x 700 x 350 mm
- Electrical cable length 1.3 m
- Diameter pipe Ø 150 mm

iQ300, Canopy cooker hood, 75 cm, Silver metallic
LB75566GB

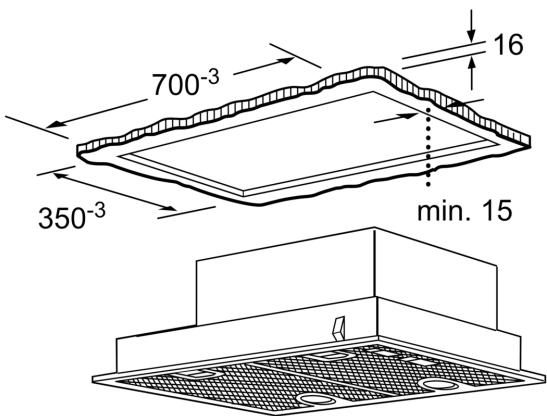
Dimensioned drawings



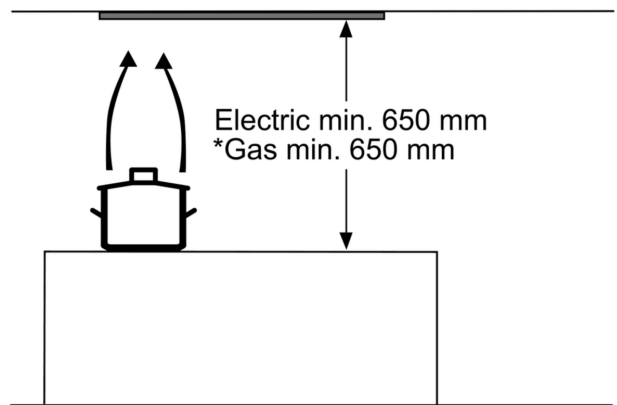
measurements in mm



measurements in mm



measurements in mm



* from upper edge of pan support

measurements in mm