

**iQ500, Freestanding wine cooler,
186 x 60 cm
KW36KATGA**



Premium design freestanding wine cabinet with two temperature zones for perfect wine storage within a range from 7°C to 19°C.

- ✓ Oak shelves: exuding class, while taking caring of your wine.
- ✓ The glassDoor series brings effortless elegance to your kitchen.
- ✓ Two separately controlled temperature zones for optimal wine storage – dual temperature zones.
- ✓ Oak shelves: a touch of elegance for your wine fridge.
- ✓ Oak shelves, one with telescopic rails: sophisticated wine storage.

Features

Technical Data

Energy Efficiency Class ¹ :	G
Average annual energy consumption in kilowatt hour per year (kWh/a):	155 kWh/annum
Capacity of 75 cl bottles:	199
Airborne acoustical noise emissions :	38 dB(A) re 1pW
Airborne acoustical noise emission class:	C
Built-in / Free-standing:	Freestanding
Door panel options:	Not possible
Height:	1860 mm
Width of the appliance:	600 mm
Dimensions:	610 mm
Weight:	87.8 kg
Fuse protection:	10 A
Interior ventilator:	Yes
Nominal power:	220-240 V
Frequency:	50-60 Hz
Length electrical supply cord:	230 cm
Plug type:	Gardy plug w/ earthing
Number of compressors:	1
Number of independent cooling systems:	2
Reversible Door Hinge:	Yes
Interior light switch:	No
EAN code:	4242003869635
Brand:	Siemens
Product name / Commercial code:	KW36KATGA
Product category:	Multi-temperature winecooler



¹ Scale of Energy Efficiency Classes from A to G

iQ500, Freestanding wine cooler, 186 x 60 cm KW36KATGA

Features

Performance and Consumption

Functions

- Upright fridge

Design features

- Optical and acoustical door open warning system
- Interior ventilator
- Automatic defrost in fridge section

Key features - Fridge section

- Ventilation in plinth, the plinth size can be varied
- Door aperture angle 115°
- Right hinged door, door reversible

Dimension and installation

- Dimensions: 186 cm H x 60 cm W x 61 cm D

Country Specific Options

- Based on the results of the standard 24-hour test. Actual consumption depends on usage/position of the appliance.
- This appliance is intended to be used exclusively for the storage of wine

Key features - Freezer section

Additional features

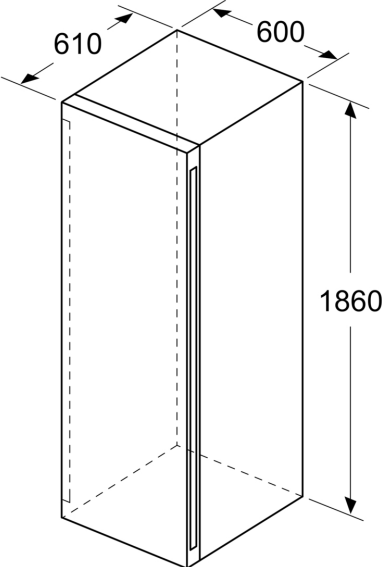
Design features

- EU19_EEK_D: G
- Total Volume : 370 l
- Annual Energy Consumption: 155 kWh/a
- Climate Class: SN-ST
- Noise Level : 38 dB , EU19_Noise emission class_D: C
- Illumination fridge: LED with Soft Start
- Number of Temperature Zones: 2
- Temperature range: 7-19 °C
- Child lock

iQ500, Freestanding wine cooler,
186 x 60 cm
KW36KATGA

Dimensioned drawings

measurements in mm



measurements in mm

