

**Series 4, Built-under fridge, 82 x 60 cm, flat hinge
KUR21VFE0G**



3 x egg tray

KFZ10AX0 Door panel with decor frame
KUZ20SX0 Attachment door, stainless steel

Built-under fridge: loads of space and easy access, with Door Alarm for worry-free storage where space is limited.

- **Super Cool function:** cools new food faster, to protect what is already inside.
- **Safety Glass Shelves:** safely store food in your fridge with stable, shatterproof glass shelves.

Energy Efficiency Class: E
 Average annual energy consumption in kilowatt hour per year (kWh/a):93 kWh/annum
 Sum of volume of frozen compartments: 0 l
 Sum of volume of chill compartments: 134 l
 Airborne acoustical noise emissions :35 dB(A) re 1pW
 Airborne acoustical noise emission class:B
 Built-in / Free-standing: Built-in
 Door panel options: Not possible
 Height: 820 mm
 Width of the appliance:598 mm
 Depth:548 mm
 Min. required niche size for installation (HxWxD):820 x 600 x 550 mm
 Net weight:28.6 kg
 Fuse protection:10 A
 Door hinge: Right reversible
 Voltage:220-240 V
 Frequency: 50 Hz
 Length electrical supply cord: 230.0 cm
 Number of compressors:1
 Number of independent cooling systems:1
 Interior ventilator: No
 Reversible Door Hinge: Yes
 Number of Adjustable Shelves in fridge compartment: 3
 Shelves for Bottles: No
 EAN code:4242005390007
 Brand: Bosch
 Product name / Commercial code:KUR21VFE0G
 Product category:Refrigerator
 Frost free system:No
 Installation typology: Built-under
 Included accessories: 3 x egg tray



Series 4, Built-under fridge, 82 x 60 cm, flat hinge KUR21VFE0G

Built-under fridge: loads of space and easy access, with Door Alarm for worry-free storage where space is limited.

Performance and Consumption

- EU19_EEK_D: E
- Total Volume : 134 l
- Annual Energy Consumption: 93 kWh/a
- Climate Class: SN-T
- Noise Level : 35 dB , EU19_Noise emission class_D: B

Functions

- Bright interior LED fridge light

Design features

- LED electronic control
- Optical and accoustical
- Fresh mode
- Home Connect: iService Remote, Remote Monitoring and Control with Wi-Fi connectivity
- Super Cooling: automatic deactivation
- Automatic defrost fridge
- Easy clean interior

Design features

- Net Fridge Volume : 134 l
- 2 door bins
- Bottle holder in x-deep door tray

Freshness System

Key features - Fridge section

- Right hinged door, door reversible
- built under
- Ventilation through plinth
- Length of power cord:230 cm
- 220 - 240 V

Dimension and installation

- Niche Dimensions: 82 cm H x 60 cm W x 55 cm D
- Dimensions: 82 cm H x 59.8 cm W x 54.8 cm D

Key features - Freezer section

- KUR21VFE0G

Country Specific Options

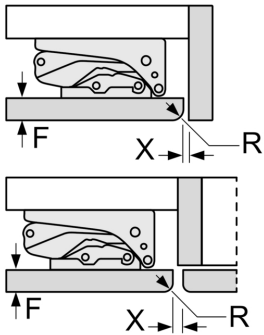
- Based on the results of the standard 24-hour test. Actual consumption depends on usage/position of the appliance.

Additional features

**Series 4, Built-under fridge, 82 x 60 cm, flat hinge
KUR21VFE0G**

measurements in mm

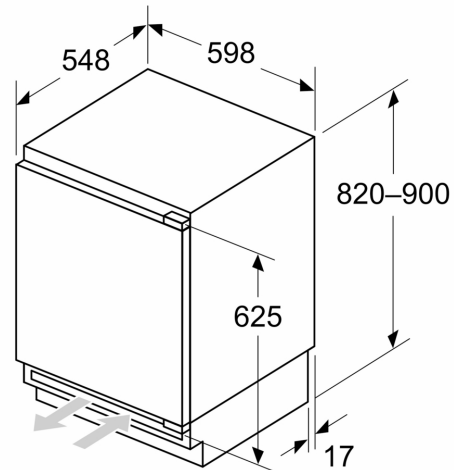
Recommended gap dimensions for flat hinges



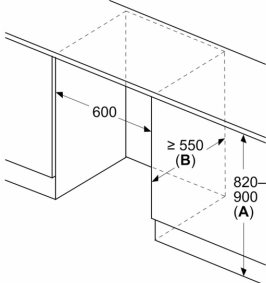
F	R	X
16-19	0-3	2.5
20	0-1	3
	2-3	2.5
21	0-1	3
	2-3	2.5
22	0	4
	1	3.5
	2-3	3

The gap dimensions recommended in the table must be adhered to in order to ensure that appliance doors do not collide with anything when they are opened, and to avoid causing damage to kitchen units.

Measurements in mm



Measurements in mm

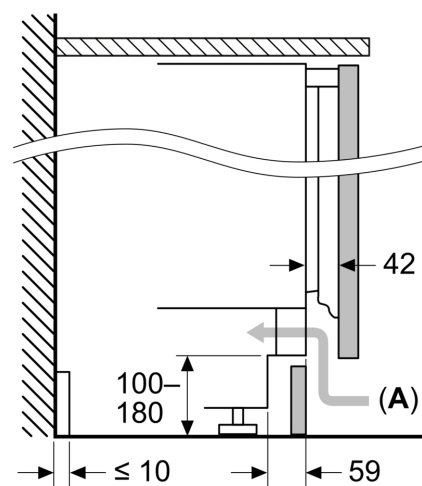


A: Substructure height

B: ≥ 560 mm (recommended)

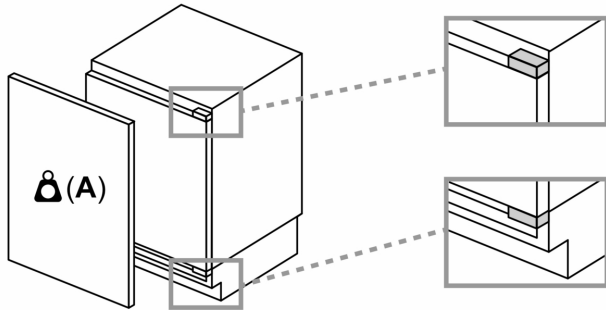
Space for electrical connection next to the appliance on the left or right side

Measurements in mm



A: Air inlet ≥ 200 cm²

Maximal permissible weight of the unit fronts



Fitted unit fronts that exceed the permissible weight may cause damage and result in functional impairment of the hinges

A: Weight \leq 12 kg