

**Series 4, Built-under fridge with freezer section, 82 x 60 cm, flat hinge  
KUL22VFD0G**



3 x egg tray, 1 x ice cube tray

KFZ10AX0 Door panel with decor frame  
KSZGGM00 Butter box

**Built-under fridge with 4-star freezer section and Door Alarm for worry-free cooling and freezing where space is limited.**

- **Super Cool function:** cools new food faster, to protect what is already inside.
- **SuperCooling quickly chills food and beverages with a touch of a button**
- **Safety Glass Shelves:** safely store food in your fridge with stable, shatterproof glass shelves.

---

Energy Efficiency Class: .....D  
 Average annual energy consumption in kilowatt hour per year (kWh/a): ..... 119 kWh/annum  
 Sum of volume of frozen compartments: ..... 17 l  
 Sum of volume of chill compartments: ..... 93 l  
 Airborne acoustical noise emissions : .....35 dB(A) re 1pW  
 Airborne acoustical noise emission class: .....B  
 Built-in / Free-standing: ..... Built-in  
 Door panel options: ..... Not possible  
 Height: ..... 820 mm  
 Width of the appliance: ..... 598 mm  
 Depth: ..... 548 mm  
 Min. required niche size for installation (HxWxD): .....820 x 600 x 550 mm  
 Net weight: ..... 30.4 kg  
 Fuse protection: ..... 10 A  
 Door hinge: ..... Right reversible  
 Voltage: ..... 220-240 V  
 Frequency: ..... 50 Hz  
 Length electrical supply cord: ..... 230.0 cm  
 Number of compressors: ..... 1  
 Number of independent cooling systems: ..... 1  
 Interior ventilator: ..... No  
 Reversible Door Hinge: ..... Yes  
 Number of Adjustable Shelves in fridge compartment: ..... 2  
 Shelves for Bottles: ..... No  
 EAN code: ..... 4242005389636  
 Brand: ..... Bosch  
 Product name / Commercial code: .....KUL22VFD0G  
 Product category: .....Refrigerator  
 Frost free system: .....No  
 Installation typology: ..... Built-under  
 Included accessories: ..... 3 x egg tray, 1 x ice cube tray



## Series 4, Built-under fridge with freezer section, 82 x 60 cm, flat hinge KUL22VFD0G

consumption depends on usage/position of the appliance.

### Additional features

## Built-under fridge with 4-star freezer section and Door Alarm for worry-free cooling and freezing where space is limited.

### Performance and Consumption

- EU19\_EEK\_D: D
- Total Volume : 110 l
- Annual Energy Consumption: 119 kWh/a
- Climate Class: SN-T
- Noise Level : 35 dB , EU19\_Noise emission class\_D: B

### Functions

- Bright interior LED fridge light

### Design features

- LED electronic control
- Optical and accoustical
- Fresh mode
- Home Connect: iService Remote, Remote Monitoring and Control with Wi-Fi connectivity
- Super Cooling: automatic deactivation
- Automatic defrost fridge
- Easy clean interior

### Design features

- Net Fridge Volume : 93 l
- 2 door bins
- Bottle holder in x-deep door tray

### Freshness System

#### Food freshness system

- Net Freezer Volume : 17 l
- Temperature rise time : EU19\_Temperature rise time\_D: 9 H
- EU19\_Fast freezer facility\_D
- Freezing capacity 24h : 3 kg
- Ice box

### Key features - Fridge section

- Right hinged door, door reversible
- built under
- Ventilation through plinth
- Length of power cord:230 cm
- 220 - 240 V

### Dimension and installation

- Niche Dimensions: 82 cm H x 60 cm W x 55 cm D
- Dimensions: 82 cm H x 59.8 cm W x 54.8 cm D

### Key features - Freezer section

- KUL22VFD0G

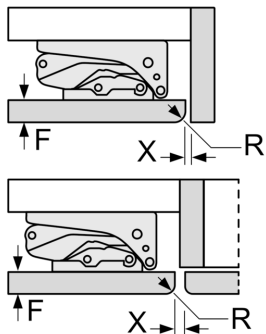
### Country Specific Options

- Based on the results of the standard 24-hour test. Actual

**Series 4, Built-under fridge with  
freezer section, 82 x 60 cm, flat  
hinge  
KUL22VFD0G**

measurements in mm

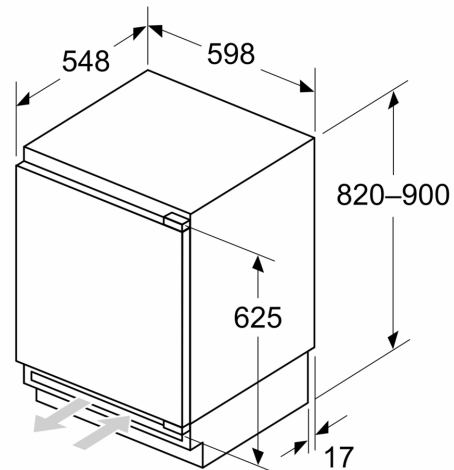
Recommended gap dimensions for flat hinges



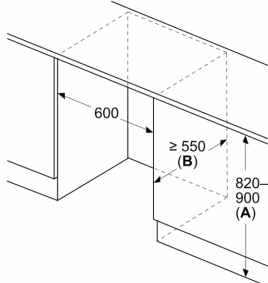
F	R	X
16-19	0-3	2.5
20	0-1	3
	2-3	2.5
21	0-1	3
	2-3	2.5
22	0	4
	1	3.5
	2-3	3

The gap dimensions recommended in the table must be adhered to in order to ensure that appliance doors do not collide with anything when they are opened, and to avoid causing damage to kitchen units.

Measurements in mm



Measurements in mm

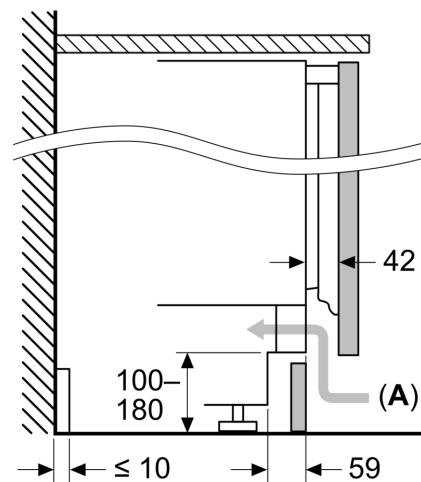


A: Substructure height

B:  $\geq 560$  mm (recommended)

Space for electrical connection next to the appliance on the left or right side

Measurements in mm



A: Air inlet  $\geq 200$  cm<sup>2</sup>

### Maximal permissible weight of the unit fronts



Fitted unit fronts that exceed the permissible weight may cause damage and result in functional impairment of the hinges

**A:** Weight  $\leq$  12 kg