

iQ500, Built-in wine cooler, 82 x 60 cm
KU21WAHG0G



- ✓ The glassDoor series brings effortless elegance to your kitchen.
- ✓ Oak shelves: exuding class, while taking caring of your wine.
- ✓ Enjoy your wine at the perfect temperature – with adjustable temperature.
- ✓ Storage space for exceptional wine collections – capacity max. 44 bottles.
- ✓ Two separately controlled temperature zones for optimal wine storage – dual temperature zones.



Energy Efficiency Class:	G
Average annual energy consumption in kilowatt hour per year (kWh/a):	130 kWh/annum
Capacity of 75 cl bottles:	44
Airborne acoustical noise emissions :	38 dB(A) re 1pW
Airborne acoustical noise emission class:	C
Built-in / Free-standing:	Built-in
Door panel options:	Not possible
Height:	818 mm
Width of the appliance:	598 mm
Dimensions:	581 mm
Min. required niche size for installation (HxWxD): ..	820 x 600 x 560 mm
Weight:	41.0 kg
Connection Rating:	60 W
Fuse protection:	6 A
Interior ventilator:	Yes
Nominal power:	220-240 V
Frequency:	50-60 Hz
Length electrical supply cord:	230.0 cm
Plug type:	GB plug
Number of compressors:	1
Number of independent cooling systems:	2
Reversible Door Hinge:	Yes
Interior light switch:	No
EAN code:	4242003878378
Brand:	Siemens
Product name / Commercial code:	KU21WAHG0G



iQ500, Built-in wine cooler, 82 x 60 cm KU21WAHG0G

- Wine storage cabinet, Built-under appliance

Functions

Design features

- Optical and acoustical door open warning system
- Interior ventilator
- Automatic defrost in fridge section

Design features

- 5 PC bottle shelves for 0,75 l

Key features - Fridge section

- Ventilation in plinth, the plinth size can be varied
- Door aperture angle 115°
- Variable plinth adaption
- Right hinged door, door reversible

Dimension and installation

- Niche Dimensions: 82 cm H x 60 cm W x 56 cm D
- Dimensions: 81.8 cm H x 59.8 cm W x 58.1 cm D

Country Specific Options

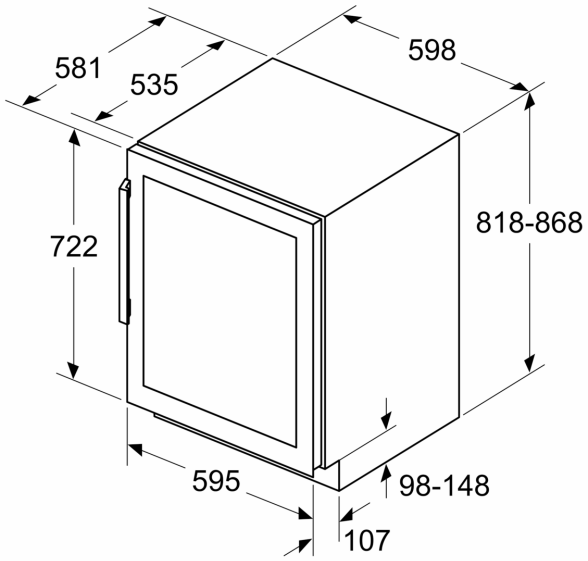
- Based on the results of the standard 24-hour test. Actual consumption depends on usage/position of the appliance.
- This appliance is intended to be used exclusively for the storage of wine

Performance and Consumption

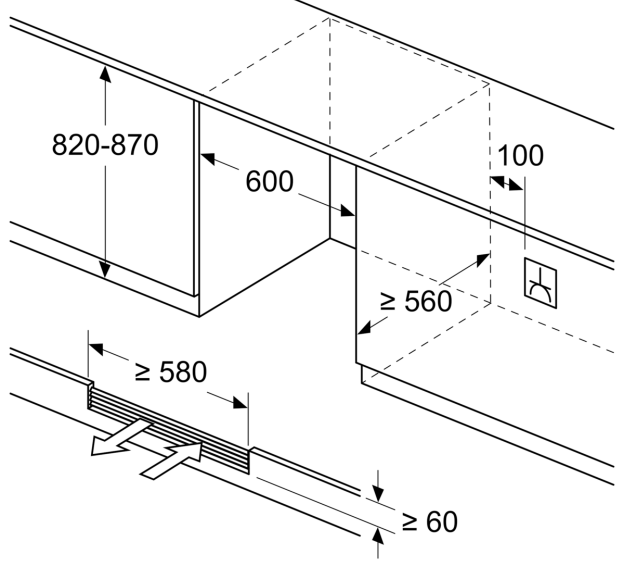
- EU19_EEK_D: G
- Total Volume : 120 l
- Net Fridge Volume : 120 l
- Net Freezer Volume : 0 l
- Annual Energy Consumption: 130 kWh/a
- Climate Class: SN-ST
- Noise Level : 38 dB , EU19_Noise emission class_D: C

iQ500, Built-in wine cooler, 82 x 60 cm
KU21WAHG0G

Measurements in mm



measurements in mm



measurements in mm

