

## iQ500, Built-under fridge with freezer section, 82 x 60 cm, flat hinge KU15LAFF0G



undercounter fridge with handy covered fruit and Fresh Box in the very efficient EEC A++.

- ✓ LED light – Ample, even lighting helps you check what’s in your fridge faster.
- ✓ Additional space for fruit and vegetables: they stay crispy in the 2 Fresh Boxes with wavy bottom.
- ✓ superFreezing – Quick-freeze even large amounts of food.
- ✓ The safetyGlass shelves are of extra strong, easy-cleaning safety glass.
- ✓ freshSense: sensors that keep the inside temperature steady for longer food freshness

### Features

#### Technical Data

Energy Efficiency Class: F  
 Average annual energy consumption in kilowatt hour per year (kWh/a): 180 kWh/annum  
 Sum of volume of frozen compartments: 15 l  
 Sum of volume of chill compartments: 108 l  
 Airborne acoustical noise emissions : 38 dB(A) re 1 pW  
 Airborne acoustical noise emission class: C  
 Construction type: Built-in  
 Door panel options: Possible but accessory  
 Height: 820 mm  
 Width of the appliance: 598 mm  
 Depth of the product: 548 mm  
 Required niche size for installation (HxWxD): 820 x 600 x 550 mm  
 Net weight: 35.0 kg  
 Connection rating: 90 W  
 Fuse protection: 13 A  
 Door hinge: Right reversible  
 Voltage: 220-240 V  
 Frequency: 50 Hz  
 Approval certificates: CE, G-Mark, VDE  
 Length of electrical supply cord: 230 cm  
 Storage Period in Event of Power Failure (h): 8 h  
 Number of compressors: 1  
 Number of independent cooling systems: 1  
 Interior ventilator: No  
 Reversible Door Hinge: Yes  
 Number of Adjustable Shelves in fridge compartment (Stck): 1  
 Shelves for Bottles: Yes  
 EAN code: 4242003856918  
 Brand: Siemens  
 Product name / Commercial code: KU15LAFF0G  
 Product category: Refrigerator  
 Frost free system: No  
 Installation type: Built-under

### Included accessories

- 1 x egg tray
- 1 x ice cube tray



## iQ500, Built-under fridge with freezer section, 82 x 60 cm, flat hinge KU15LAFF0G

### Features

- Fully integrated

#### Functions

- Ventilation through plinth
- Easy clean interior
- Interior design with metal applications

#### Design features

- Electronic control (LED chain)
- 1 compressor/1 cooling circuit
- Automatic defrost in fridge section

#### Design features

- 2 safety glass shelves in fridge compartment of which 1 are height adjustable
- Full width pull out drawer
- Door shelves in fridge door: 1 large and 2 small.
- Bottle holder in x-deep door tray
- Bright interior LED fridge light
- 

#### Freshness System

- 2 vegetable/salad containers
- 

#### Food freshness system

- 1 hinged freezer compartment
- Ice box

#### Key features - Fridge section

- Height adjustable feet in the front
- Right hinged door, door reversible
- Connection value 90 W
- 220 - 240 V

#### Dimension and installation

- Niche Dimensions: 82 cm H x 60 cm W x 55 cm D
- Dimensions: 82 cm H x 59.8 cm W x 54.8 cm D

#### Key features - Freezer section

- KU15LAFF0G

#### Design features

#### Dimension and installation

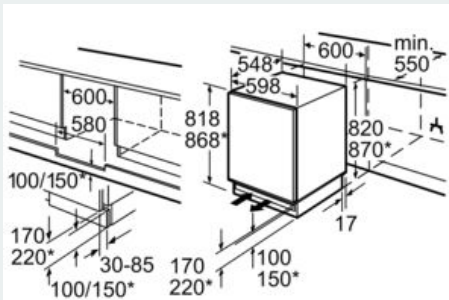
#### Additional features

#### Performance and Consumption

- EU19\_EEK\_D: F
- Total Volume : 123 l
- Net Fridge Volume : 108 l
- Net Freezer Volume : 15 l
- Net 4\* compartment volume : 15 l
- Freezing capacity 24h : 3.4 kg
- Annual Energy Consumption: 180 kWh/a
- Climate Class: SN-ST
- Noise Level : 38 dB , EU19\_Noise emission class\_D: C
- Temperature rise time : EU19\_Temperature rise time\_D: 8 H

**iQ500, Built-under fridge with freezer section, 82 x 60 cm, flat hinge  
KU15LAFF0G**

Dimensioned drawings



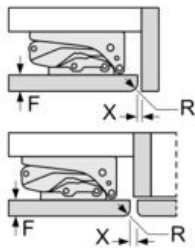
\* variable base/substructure height

Space for electrical connection next to the appliance on the left or right-hand side.  
Ventilation space in the base.

measurements in mm

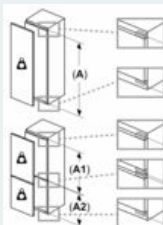
measurements in mm

Recommended gap dimensions for flat hinges



	F	R	X
16-19	0-3	2.5	
	20	0-1	3
21	2-3	2.5	
	21	0-1	3
22	2-3	2.5	
	22	0	4
	22	1	3.5
	2-3	3	

The gap dimensions recommended in the table must be adhered to in order to ensure that appliance doors do not collide with anything when they are opened, and to avoid causing damage to kitchen units.



**Maximal permissible weight of the unit fronts**  
Fitted unit fronts that exceed the permissible weight may cause damage and result in functional impairment of the hinges.

Δ Weight  
A: Appliance door height including hinges in mm  
B: Undamped hinge, unit front in kg  
C: Damped hinge, unit front in kg

	A	B	C
1500-1750	22	22	
720-1400	19	19	
A1	15	19	
A2	15	19	