

iQ500 Upright fridge KS36VBW30G



A++



Included accessories

1 x egg tray

refrigerator with hyperFresh plus to keep fruit and vegetables fresh up to 2 times longer, plus touchControl temperature control.

- ✓ The hyperFresh plus Box with adjustable humidity keeps fruit and vegetables fresh up to 2 times longer.
- ✓ Control all functions easily and precisely with just a soft touch, using touchControl electronics.
- ✓ The flexShelf is an extra shelf you can fold out easily when you need more room.
- ✓ Even when fully loaded, the height of the easyLift door bin can be easily adjusted.
- ✓ An A++ cooling appliance works very efficiently.
- ✓ Cooling appliances with 90° door opening angle can be placed flush against any wall or in any niche.

Features

Technical Data

Construction type : Free-standing
 Door panel options : Not possible
 Height (mm) : 1860
 Width of the product (mm) : 600
 Depth of the product : 650
 Net weight (kg) : 71.895
 Connection rating (W) : 90
 Current (A) : 10
 Door hinge : Left reversible
 Voltage (V) : 220-240
 Frequency (Hz) : 50
 Approval certificates : CE, VDE
 Length of electrical supply cord (cm) : 230
 Number of compressors : 1
 Number of independent cooling systems : 1
 Interior ventilator : Yes
 Reversible Door Hinge : Yes
 Number of Adjustable Shelves in fridge compartment (Stck) : 5
 Shelves for Bottles : Yes
 EAN code : 4242003646090
 Brand : Siemens
 Product name / Commercial code : KS36VBW30G
 Product category : Refrigerator
 Energy efficiency class (2010/30/EC) : A++
 Energy consumption annual (kWh/annum) - NEW (2010/30/EC) : 112.00
 Refrigerator Net capacity (l) - NEW (2010/30/EC) : 346
 Freezer Net capacity (l) - NEW (2010/30/EC) : 0
 Frost free system : No
 Freezing capacity (kg/24h) - NEW (2010/30/EC) : 0
 Noise level (dB(A) re 1 pW) : 39
 Climate class : SN-T
 Installation type : N/A



iQ500

Upright fridge

KS36VBW30G

Features

Performance and Consumption

- Energy Efficiency Class: A++ at a range of energy efficiency classes from A+++ to D
- Energy Efficiency Class: A++ kWh/yr: 0.306 kWh
- Total net capacity: 346 litres
- Noise level dB(A) re 1 pW: 39

Design features

- White door and white side panels
- vertical door handle
- Left hinged door , reversible
- Bright interior LED fridge light
- Electronic LED display
- Removable magnetic door seals - easy to clean
- 1 compressor/1 cooling circuit

Food freshness system

- vitaControl - constant temperature by intelligent sensor technology - Constant temperature control by intelligent sensor technology
- 1 hyperFresh plus box with adjustable humidity - keeps fruit and vegetables fresh up to 2x longer.
- 1 x humidity controlled vegetable/salad drawer on telescopic rails

Key features - Fridge section

- flexShelf - easy to pull down if required, space saving if not in use
- superCool function with automatic deactivation
- Active cooling - quick and even temperature distribution on all shelf levels (interior fan)
- Interior design with metal applications
- 7 removable safety glass shelves
- 2 large door shelf, 2 small door shelf
- 1 dairy compartment in door
- Automatic defrost in fridge section

Functions

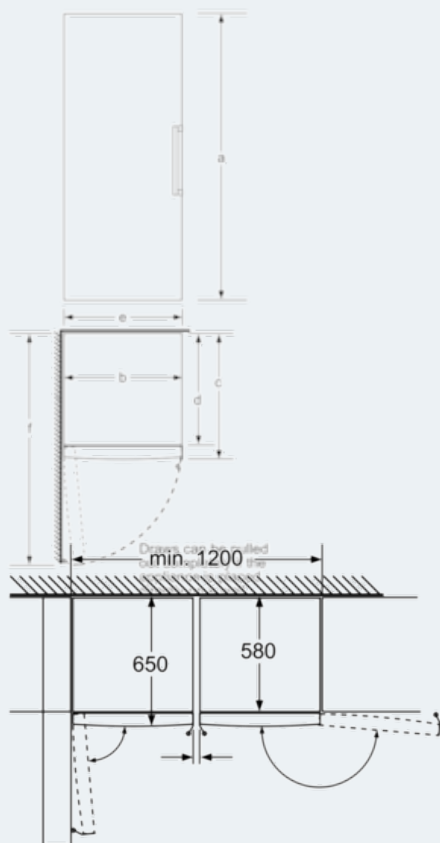
- superCool function with automatic deactivation
- Acoustic open door warning system

Dimension and installation

- Transportation handles
- Height adjustable feet in the front
- Climate class SN-T (suitable for ambient temperatures between 10 to 43°C)
- 220 - 240 V
- Dimensions: 186 cm H x 60 cm W x 65 cm D
- To achieve the declared energy consumption, the attached distanceholders have to be used. As a result, the appliance depth increases by about 3.5 cm. The appliance used without the distance holder is fully functional, but has a slightly higher energy consumption.

iQ500
Upright fridge
KS36VBW30G

Dimensioned drawings



Drawers can be pulled out completely
 if the appliance is placed directly
 on a wall.
 measurements in mm