

**Series 2, Built-in fridge, 122.5 x 56 cm, sliding hinge  
KIR41NSE0G**



3 x egg tray

KSZB6R00 Bottle Rack  
KSZGGM00 Butter box

**The spacious built-in fridge with Multi Box XXL drawer for fruit and vegetables and high stability door trays provides optimal food storage.**

- **Eco Airflow:** maintains optimal air circulation and a constant temperature level throughout the cooling area.
- **LED lighting:** all your items in perfect view.

---

Energy Efficiency Class: .....	E
Average annual energy consumption in kilowatt hour per year (kWh/a): .....	101 kWh/annum
Sum of volume of frozen compartments: .....	0 l
Sum of volume of chill compartments: .....	204 l
Airborne acoustical noise emissions : .....	35 dB(A) re 1pW
Airborne acoustical noise emission class: .....	B
Built-in / Free-standing: .....	Built-in
Door panel options: .....	Not possible
Height: .....	1221 mm
Width of the appliance: .....	541 mm
Depth: .....	548 mm
Min. required niche size for installation (HxWxD): 1225.0 x 560 x 550 mm	
Net weight: .....	38.1 kg
Fuse protection: .....	10 A
Door hinge: .....	Right reversible
Voltage: .....	220-240 V
Frequency: .....	50 Hz
Length electrical supply cord: .....	230.0 cm
Number of compressors: .....	1
Number of independent cooling systems: .....	1
Interior ventilator: .....	No
Reversible Door Hinge: .....	Yes
Number of Adjustable Shelves in fridge compartment: .....	4
Shelves for Bottles: .....	No
EAN code: .....	4242005328628
Brand: .....	Bosch
Product name / Commercial code: .....	KIR41NSE0G
Product category: .....	Refrigerator
Frost free system: .....	No
Installation typology: .....	Integrated
Included accessories: .....	3 x egg tray

---



## Series 2, Built-in fridge, 122.5 x 56 cm, sliding hinge KIR41NSE0G

**The spacious built-in fridge with Multi Box XXL drawer for fruit and vegetables and high stability door trays provides optimal food storage.**

- Easy Installation

### Performance and Consumption

- EU19\_EEK\_D: E
- Total Volume : 204 l
- Net Fridge Volume : 204 l
- Net Freezer Volume : 0 l
- Annual Energy Consumption: 101 kWh/a
- Climate Class: SN-ST
- EU19\_Fast freezer facility\_D
- Noise Level : 35 dB , EU19\_Noise emission class\_D: B

### Functions

- Bright interior LED fridge light
- LED electronic control
- Automatic defrost fridge
- Super Cooling: automatic deactivation
- Optical and acoustical door open warning

### Design features

- 5 safety glass shelves (4 height adjustable)

### Freshness System

- 1 MultiBox - Transparent drawer with a rippled bottom, ideal for storing fruits and vegetables.

### Dimension and installation

- Dimensions: 122.1 cm H x 54.1 cm W x 54.8 cm D
- Niche Dimensions: 122.5 cm H x 56 cm W x 55 cm D
- Right hinged door, door reversible
- 220 - 240 V

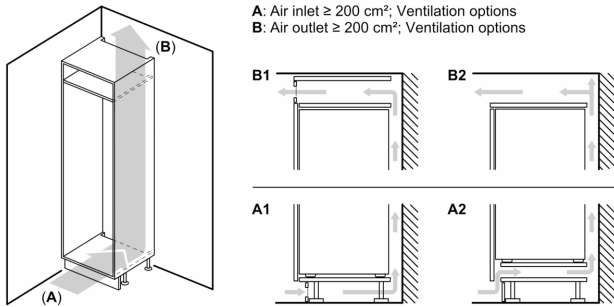
### Key features - Freezer section

- 3 x egg tray
- bottle holder in door tray

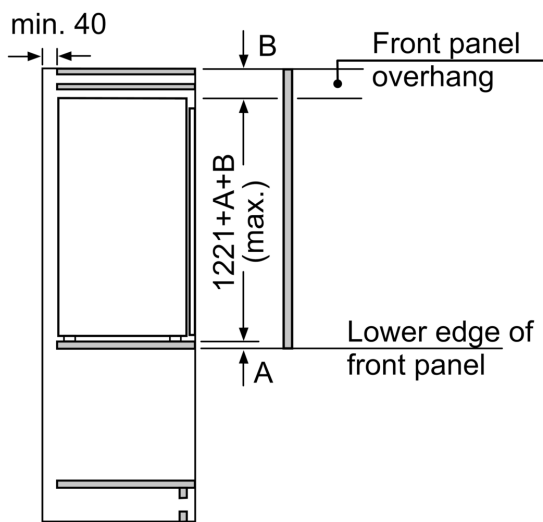
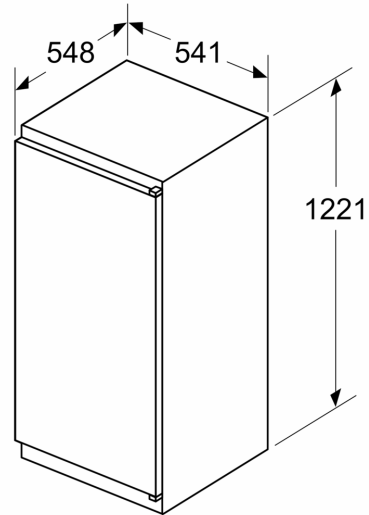
### Country Specific Options

- Based on the results of the standard 24-hour test. Actual consumption depends on usage/position of the appliance.

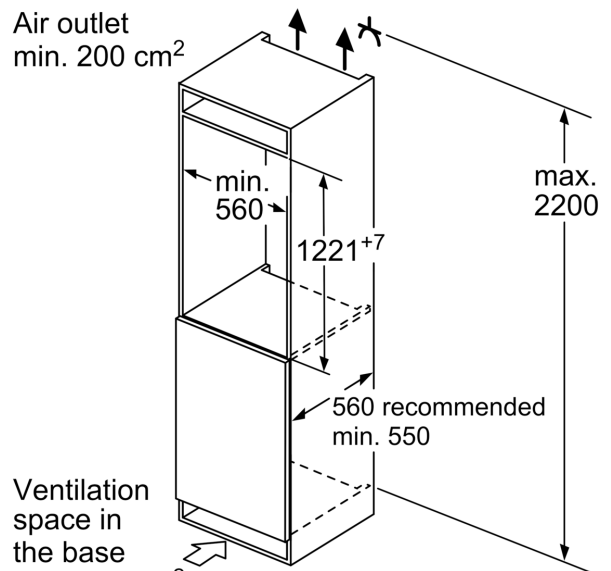
**Series 2, Built-in fridge, 122.5 x 56 cm, sliding hinge  
KIR41NSE0G**



Measurements in mm



measurements in mm



measurements in mm