

**Series 2, Built-in fridge-freezer with freezer at bottom, 193.5 x 54.1 cm, sliding hinge
KIN96NSE0G**



KSZB6R00 Bottle Rack
KSZGGM00 Butter box

The extra large built-in fridge freezer with 12% more cooling volume including Multi Box XXL drawer for fruit and vegetables, No Frost and error warning signal for optimal storage.

- **Built-in XL:** get 11% extra volume of storage thanks to a taller design.
- **MultiBox XXL:** extra-large drawer for your fruit and vegetables.
- **No Frost:** never defrost again, thanks to perfect protection from ice formation - that saves time and effort.
- **Quiet appliances:** enjoy a calm and relaxing home.
- **Eco Airflow:** maintains optimal air circulation and a constant temperature level throughout the cooling area.

Energy Efficiency Class: E
Average annual energy consumption in kilowatt hour per year (kWh/a): 231 kWh/annum
Sum of volume of frozen compartments: 75 l
Sum of volume of chill compartments: 215 l
Airborne acoustical noise emissions : 34 dB(A) re 1pW
Airborne acoustical noise emission class: B
Built-in / Free-standing: Built-in
Door panel options: Not possible
Height: 1935 mm
Width of the appliance: 541 mm
Depth: 548 mm
Required niche size for installation (HxWxD):	... 1940 x 560 x 550 mm
Net weight: 53.6 kg
Fuse protection: 10 A
Door hinge: Right reversible
Voltage: 220-240 V
Frequency: 50 Hz
Length electrical supply cord: 230.0 cm
Number of compressors: 1
Number of independent cooling systems: 2
Interior ventilator: No
Reversible Door Hinge: Yes
Number of Adjustable Shelves in fridge compartment: 4
Shelves for Bottles: No
No Frost free system: Freezer
Installation typology: Integrated



Series 2, Built-in fridge-freezer with freezer at bottom, 193.5 x 54.1 cm, sliding hinge KIN96NSE0G

The extra large built-in fridge freezer with 12% more cooling volume including Multi Box XXL drawer for fruit and vegetables, No Frost and error warning signal for optimal storage.

- NoFrost freezer, Built-in fridge-freezer
- Sliding hinge, softClosing door: No

Performance and Consumption

- EU19_EEK_D: E
- Total Volume : 290 l
- Annual Energy Consumption: 231 kWh/a
- Noise Level : 34 dB , EU19_Noise emission class_D: B

Functions

- Bright interior LED fridge light in fridge section
- Built-in fridge-freezer

Design features

- NO_FROST_NEU_BL, never have to defrost ever again
- EU19_Fast freezer facility_D
- Separate, electronic temperature control with LED display
- Super Cooling: automatic deactivation
- Optical and accoustical
- Automatic defrost fridge

Design features

- Net Fridge Volume : 215 l
- 5 safety glass shelves in fridge compartment of which 4 are height adjustable
- Door shelves in fridge door: 1 large and 3 small.

Freshness System

- 1 MultiBox - Transparent drawer with a rippled bottom, ideal for storing fruits and vegetables.

Food freshness system

- Net Freezer Volume : 75 l
- Freezing capacity 24h : 7.5 kg
- Temperature rise time : EU19_Temperature rise time_D: 10 H
- 3 freezer drawers

Dimension and installation

- Dimensions: 193.5 cm H x 54.1 cm W x 54.8 cm D
- Niche Dimensions: 194 cm H x 56 cm W x 55 cm D

Key features - Fridge section

- Right hinged door, door reversible
- Height adjustable front feet
- Length of power cord: 230 cm
- Climate Class: SN-ST
- 220 - 240 V

Key features - Freezer section

- 1 x ice cube tray

Country Specific Options

- Based on the results of the standard 24-hour test. Actual consumption depends on usage/position of the appliance.

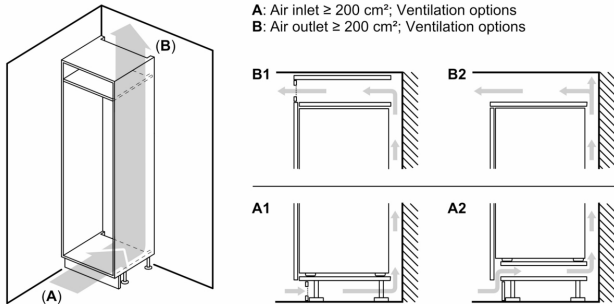
Design features

Dimension and installation

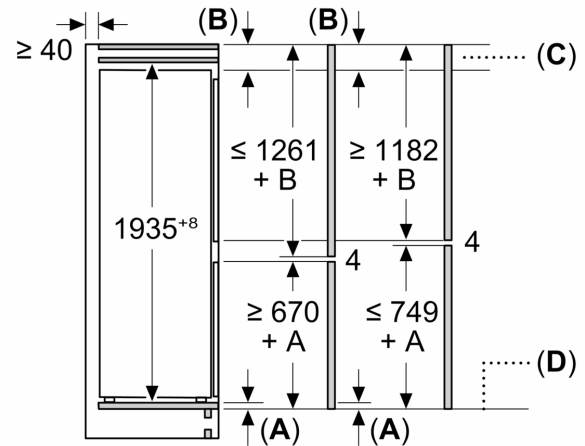
Additional features

- none

**Series 2, Built-in fridge-freezer with
freezer at bottom, 193.5 x 54.1 cm,
sliding hinge
KIN96NSE0G**



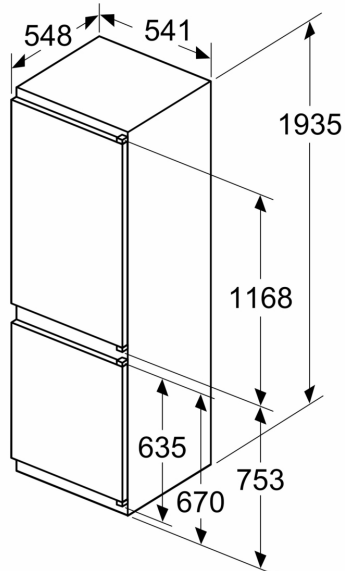
Measurements in mm



C: Front panel overhang

D: Lower edge of front panel

Measurements in mm



Measurements in mm

