

**Series 4, Built-in fridge-freezer with freezer at bottom, 177.2 x 54.1 cm, flat hinge  
KIN86VFE0G**



KSZGGM00 Butter box  
KSZB6R00 Bottle Rack

**The spacious built-in fridge-freezer combination with VitaFresh XXL and NoFrost keeps food fresh for longer and prevent ice formation.**

- **Eco Airflow:** maintains optimal air circulation and a constant temperature level throughout the cooling area.
- **LED lighting:** all your items in perfect view.
- **No Frost:** never defrost again, thanks to perfect protection from ice formation - that saves time and effort.
- **Super Freezing function:** prevents the food in your freezer from defrosting.

---

Energy Efficiency Class: .....	E
Average annual energy consumption in kilowatt hour per year (kWh/a): .....	234 kWh/annum
Sum of volume of frozen compartments: .....	76 l
Sum of volume of chill compartments: .....	184 l
Airborne acoustical noise emissions : .....	35 dB(A) re 1pW
Airborne acoustical noise emission class: .....	B
Built-in / Free-standing: .....	Built-in
Door panel options: .....	Possible but accessory
Height: .....	1772 mm
Width of the appliance: .....	541 mm
Depth: .....	548 mm
Min. required niche size for installation (HxWxD):	1775.0 x 560 x 550 mm
Net weight: .....	54.3 kg
Fuse protection: .....	10 A
Door hinge: .....	Right reversible
Voltage: .....	220-240 V
Frequency: .....	50 Hz
Length electrical supply cord: .....	230.0 cm
Number of compressors: .....	1
Number of independent cooling systems: .....	1
Interior ventilator: .....	No
Reversible Door Hinge: .....	Yes
Number of Adjustable Shelves in fridge compartment: .....	3
Shelves for Bottles: .....	Yes
Frost free system: .....	Freezer
Installation typology: .....	Integrated

---



**Series 4, Built-in fridge-freezer with freezer at bottom, 177.2 x 54.1 cm, flat hinge  
KIN86VFE0G**

**Additional features**

- Net 4\* compartment volume : 76 l

**The spacious built-in fridge-freezer combination with VitaFresh XXL and NoFrost keeps food fresh for longer and prevent ice formation.**

**Design features**

- easy Installation

**Performance and Consumption**

- EU19\_EEK\_D: E
- Total Volume : 260 l
- Net Fridge Volume : 184 l
- Net Freezer Volume : 76 l
- Freezing capacity 24h : 4 kg
- Annual Energy Consumption: 234 kWh/a
- Climate Class: SN-ST
- Noise Level : 35 dB , EU19\_Noise emission class\_D: B
- Temperature rise time : EU19\_Temperature rise time\_D: 10 H

**Functions**

- Bright interior LED fridge light in fridge section

**Design features**

- LED electronic control
- Super Cooling: automatic deactivation
- SuperFreeze function with automatic deactivation
- Optical and accoustical

**Design features**

- 4 safety glass shelves in fridge compartment of which 3 are height adjustable
- 1 removable door storage compartments.
- 3 door bins

**Freshness System**

- 1 VitaFresh drawer with humidity control - Fruits and vegetables retain vitamins and stay fresh for longer

**Food freshness system**

- NO\_FROST\_NEU\_BL, never have to defrost ever again
- 3 freezer drawers

**Dimension and installation**

- Dimensions: 177.2 cm H x 54.1 cm W x 54.8 cm D
- Niche Dimensions: 177.5 cm H x 56 cm W x 55 cm D

**Key features - Fridge section**

- Right hinged door, door reversible
- 220 - 240 V

**Key features - Freezer section**

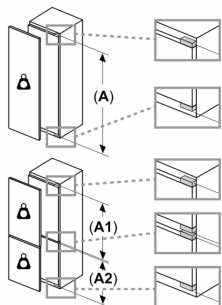
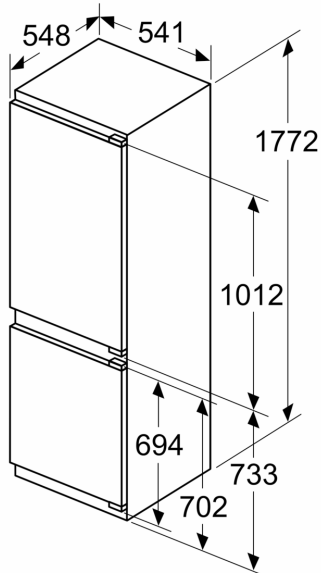
- 3 x egg tray, 1 x ice cube tray

**Country Specific Options**

- Based on the results of the standard 24-hour test. Actual consumption depends on usage/position of the appliance.

**Series 4, Built-in fridge-freezer with freezer at bottom, 177.2 x 54.1 cm, flat hinge KIN86VFE0G**

measurements in mm



**Maximal permissible weight of the unit fronts**

Fitted unit fronts that exceed the permissible weight may cause damage and result in functional impairment of the hinges

Δ Weight

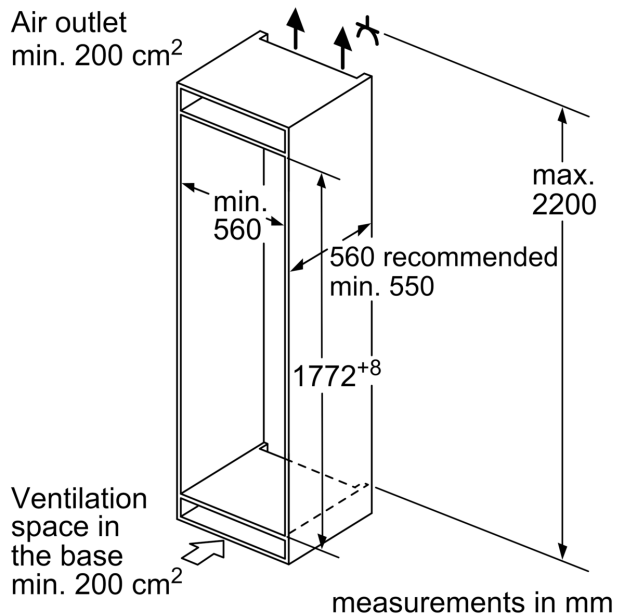
A: Appliance door height including hinges in mm

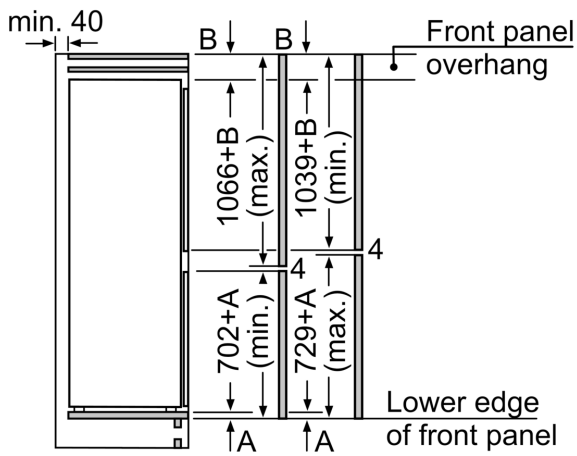
B: Undamped hinge, unit front in kg

C: Damped hinge, unit front in kg

D: Additional possible load in kg with heavy load kit

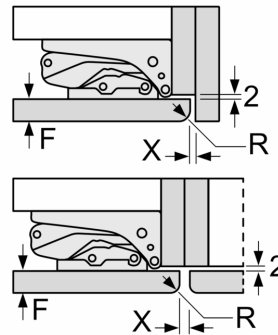
A	B	C	D
1500-1750	22	22	
720-1400	19	19	B+5 / C+5
A1	15	19	
A2	15	19	





The specified unit door dimensions are valid for a door gap of 4 mm.  
 measurements in mm

measurements in mm  
 Recommended gap dimensions for flat hinges



F	R	X
16-19	0-3	2.5
20	0-1	3
	2-3	2.5
21	0-1	3
	2-3	2.5
22	0	4
	1	3.5
	2-3	3

The gap dimensions recommended in the table must be adhered to in order to ensure that appliance doors do not collide with anything when they are opened, and to avoid causing damage to kitchen units.