

**Series 2, Built-in fridge-freezer with freezer at bottom, 177.2 x 54.1 cm, sliding hinge KIN85NSE0G**



KSZB6R00 Bottle Rack  
KSZGGM00 Butter box

**The spacious built-in fridge-freezer combination with NoFrost provides optimal food storage and ice formation is no longer an issue.**

- **MultiBox XXL:** extra-large drawer for your fruit and vegetables.
- **No Frost:** never defrost again, thanks to perfect protection from ice formation - that saves time and effort.
- **Eco Airflow:** maintains optimal air circulation and a constant temperature level throughout the cooling area.
- **An audible alarm system signals the door is open**
- **LED lighting: all your items in perfect view.**

Energy Efficiency Class: ..... E  
 Average annual energy consumption in kilowatt hour per year (kWh/a): ..... 239 kWh/annum  
 Sum of volume of frozen compartments: ..... 99 l  
 Sum of volume of chill compartments: ..... 150 l  
 Airborne acoustical noise emissions : ..... 39 dB(A) re 1pW  
 Airborne acoustical noise emission class: ..... C  
 Built-in / Free-standing: ..... Built-in  
 Door panel options: ..... Not possible  
 Height: ..... 1772 mm  
 Width of the appliance: ..... 541 mm  
 Depth: ..... 548 mm  
 Min. required niche size for installation (HxWxD): 1775.0 x 560 x 550 mm  
 Net weight: ..... 51.9 kg  
 Fuse protection: ..... 10 A  
 Door hinge: ..... Right reversible  
 Voltage: ..... 220-240 V  
 Frequency: ..... 50 Hz  
 Length electrical supply cord: ..... 230.0 cm  
 Number of compressors: ..... 1  
 Number of independent cooling systems: ..... 1  
 Interior ventilator: ..... No  
 Reversible Door Hinge: ..... Yes  
 Number of Adjustable Shelves in fridge compartment: ..... 2  
 Shelves for Bottles: ..... No  
 Frost free system: ..... Freezer  
 Installation typology: ..... Integrated



## Series 2, Built-in fridge-freezer with freezer at bottom, 177.2 x 54.1 cm, sliding hinge KIN85NSE0G

Dimension and installation  
Additional features

**The spacious built-in fridge-freezer combination with NoFrost provides optimal food storage and ice formation is no longer an issue.**

### Performance and Consumption

- EU19\_EEK\_D: E
- Total Volume : 249 l
- Annual Energy Consumption: 239 kWh/a
- Noise Level : 39 dB , EU19\_Noise emission class\_D: C

### Functions

- Bright interior LED fridge light in fridge section
- Built-in fridge-freezer

### Design features

- NO\_FROST\_NEU\_BL, never have to defrost ever again
- EU19\_Fast freezer facility\_D
- LED electronic control
- Super Cooling: automatic deactivation
- Optical and accoustical
- Automatic defrost fridge

### Design features

- 3 safety glass shelves of which 2 are height adjustable
- Door shelves in fridge door: 1 large and 1 small.

### Freshness System

- 1 MultiBox - Transparent drawer with a rippled bottom, ideal for storing fruits and vegetables.

### Food freshness system

- Net Freezer Volume : 99 l
- Freezing capacity 24h : 5.5 kg
- Temperature rise time : EU19\_Temperature rise time\_D: 10 H
- 4 freezer drawers

### Dimension and installation

- Dimensions: 177.2 cm H x 54.1 cm W x 54.8 cm D
- Niche Dimensions: 177.5 cm H x 56 cm W x 55 cm D

### Key features - Fridge section

- Right hinged door, door reversible
- Height adjustable front feet
- Length of power cord:230 cm
- Climate Class: SN-ST
- 220 - 240 V

### Key features - Freezer section

- 3 x egg tray, 1 x ice cube tray

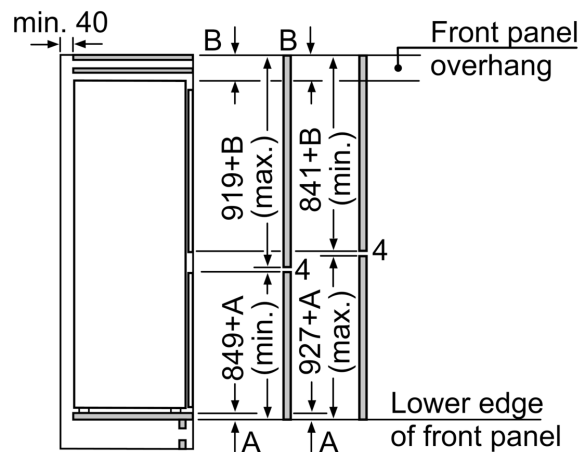
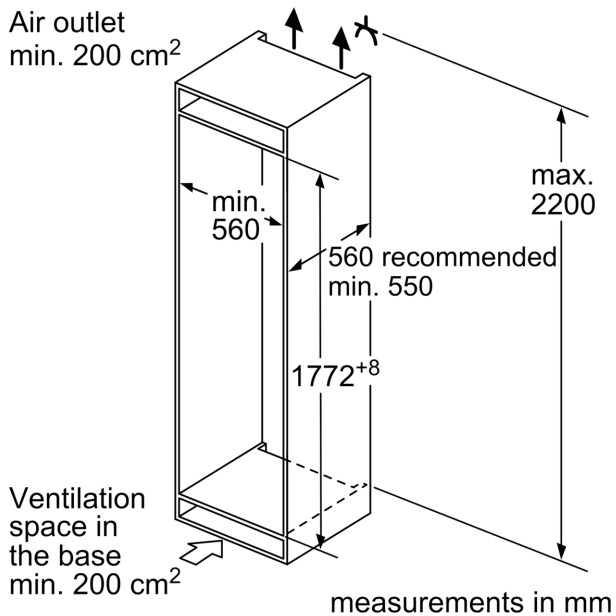
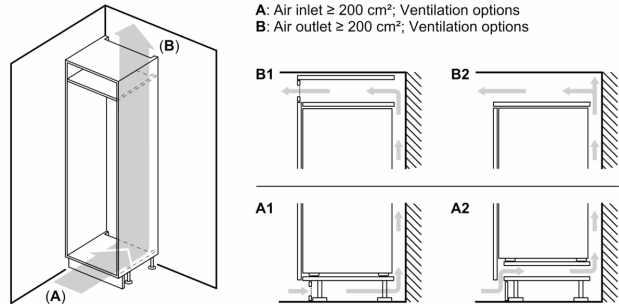
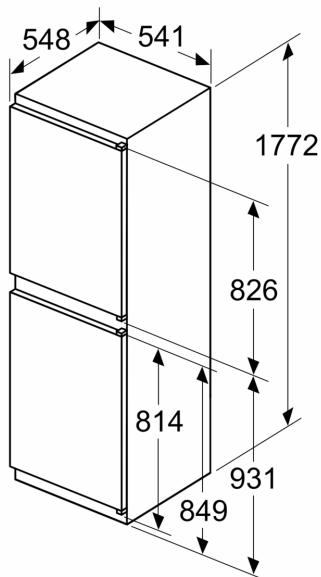
### Country Specific Options

- Based on the results of the standard 24-hour test. Actual consumption depends on usage/position of the appliance.

### Design features

**Series 2, Built-in fridge-freezer with  
freezer at bottom, 177.2 x 54.1 cm,  
sliding hinge  
KIN85NSE0G**

measurements in mm



The specified unit door dimensions  
are valid for a door gap of 4 mm.

measurements in mm