

iQ300, Built-in fridge-freezer with freezer at bottom, 193.5 x 55.8 cm, flat hinge KI96NVFD0G



The extra large built-in fridge freezer with 12% more cooling volume including hyperFresh <0°C> system, No Frost and fast cooling and freezing functions for optimal storage.

- ✓ Large volume – get more space to store your entire shop.
- ✓ hyperFresh <0°C> – More space for fruit and vegetables. Dedicated storage for fish and meat.
- ✓ noFrost – Never defrost your freezer again.
- ✓ autoAirflow – Ideal air circulation for even cooling at all levels, maintaining longer freshness.
- ✓ superCooling: faster cooling for fresh food.

Features

Technical Data

Energy Efficiency Class ¹ :	D
Average annual energy consumption in kilowatt hour per year (kWh/a):	184 kWh/annum
Sum of volume of frozen compartments:	75 l
Sum of volume of chill compartments:	215 l
Airborne acoustical noise emissions :	34 dB(A) re 1pW
Airborne acoustical noise emission class:	B
Built-in / Free-standing:	Built-in
Door panel options:	Not possible
Height:	1935 mm
Width of the appliance:	558 mm
Dimensions:	548 mm
Required niche size for installation (HxWxD):	1940x560x550 mm
Weight:	60.4 kg
EAN code:	4242003995747
Fuse protection:	10 A
Door opening:	Right reversible
Nominal power:	220-240 V
Frequency:	50 Hz
Length electrical supply cord:	230 cm
Number of compressors:	1
Number of independent cooling systems:	2
Interior ventilator:	No
Reversible Door Hinge:	Yes
Number of Adjustable Shelves in fridge compartment:	3
Shelves for Bottles:	Yes
Frost free system:	Freezer
Installation type:	Fully integrated



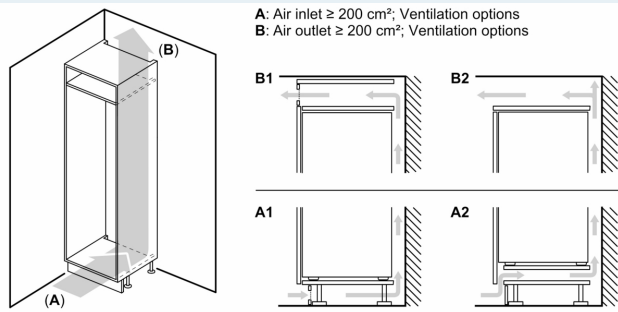
¹ Scale of Energy Efficiency Classes from A to G

iQ300, Built-in fridge-freezer with freezer at bottom, 193.5 x 55.8 cm, flat hinge KI96NVFD0G

Features	
<ul style="list-style-type: none"> • KI96NVFD0G • Built-in fridge freezer • Fixed hinge, softClosing door: No <p>Performance and Consumption</p> <ul style="list-style-type: none"> • EU19_EEK_D: D • Total Volume : 290 l • Annual Energy Consumption: 184 kWh/a • Noise Level : 34 dB , EU19_Noise emission class_D: B <p>Functions</p> <ul style="list-style-type: none"> • Bright interior LED fridge light in fridge section <p>Design features</p> <ul style="list-style-type: none"> • NO_FROST_NEU_BL, never have to defrost ever again • Optical and acoustical door open warning system • Electronic control (2 LED chains) • Automatic defrost in fridge section • easy Installation <p>Design features</p> <ul style="list-style-type: none"> • Net Fridge Volume : 215 l • 5 safety glass shelves of which 3 are height adjustable • 4 door bins • Bottle rack <p>Freshness System</p> <ul style="list-style-type: none"> • 1 hyperFresh box with integrated humidity control <p>Food freshness system</p> <ul style="list-style-type: none"> • Net Freezer Volume : 75 l • Freezing capacity 24h : 8 kg • Temperature rise time : EU19_Temperature rise time_D: 11 H • EU19_Fast freezer facility_D • 3 freezer drawers • SuperFreeze with Manual/automatic activation <p>Dimension and installation</p> <ul style="list-style-type: none"> • Dimensions: 193.5 cm H x 55.8 cm W x 54.8 cm D • Niche Dimensions: 194 cm H x 56 cm W x 55 cm D <p>Key features - Fridge section</p> <ul style="list-style-type: none"> • Right hinged door, door reversible • Climate Class: SN-ST • Length of power cord:230 cm • 220 - 240 V <p>Key features - Freezer section</p> <ul style="list-style-type: none"> • 2 x ice cube tray <p>Country Specific Options</p> <ul style="list-style-type: none"> • Based on the results of the standard 24-hour test. Actual consumption depends on usage/position of the appliance. 	<p>Design features</p> <p>Dimension and installation</p> <p>Additional features</p>

iQ300, Built-in fridge-freezer with freezer at bottom, 193.5 x 55.8 cm, flat hinge KI96NVFD0G

Dimensioned drawings



Maximal permissible weight of the unit fronts

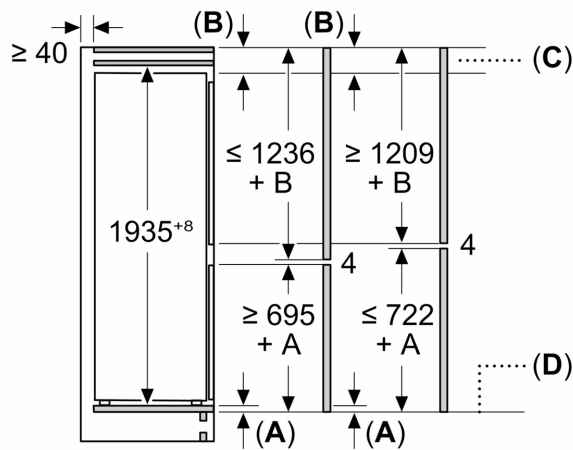
Fitted unit fronts that exceed the permissible weight may cause damage and result in functional impairment of the hinges

Δ Weight
 A: Appliance door height including hinges in mm

B: Undamped hinge, unit front in kg
 C: Damped hinge, unit front in kg
 D: Additional possible load in kg with heavy load kit

A	B	C	D
1500-1750	22	22	
720-1400	19	19	B+5 / C+5
A1	15	19	
A2	15	19	

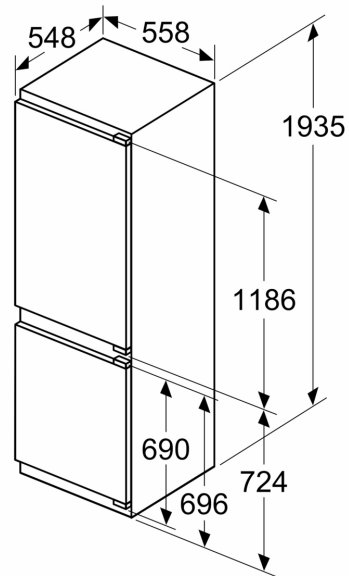
Measurements in mm



C: Front panel overhang

D: Lower edge of front panel

Measurements in mm



Measurements in mm

