

iQ100, Built-in fridge-freezer with freezer at bottom, 193.5 x 54.1 cm, sliding hinge KI96NNSE0



The extra large built-in fridge freezer with 12% more cooling volume including Fresh Box drawer for fruit and vegetables, No Frost and fast cooling and freezing functions for optimal storage.

- ✓ LED light – Even lighting throughout the inside of your fridge to keep everything in view.
- ✓ noFrost – Never defrost your freezer again.
- ✓ autoAirflow – Ideal air circulation for even cooling at all levels, maintaining longer freshness.
- ✓ superFreezing: fast freezing for even large quantities of food.
- ✓ superCooling: faster cooling for fresh food.

Features

Technical Data

Energy Efficiency Class:	E
Average annual energy consumption in kilowatt hour per year (kWh/a):	231 kWh/annum
Sum of volume of frozen compartments:	75 l
Sum of volume of chill compartments:	215 l
Airborne acoustical noise emissions :	34 dB(A) re 1 pW
Airborne acoustical noise emission class:	B
Built-in / Free-standing:	Built-in
Door panel options:	Not possible
Height:	1935 mm
Width of the appliance:	541 mm
Dimensions:	548 mm
Min. required niche size for installation (HxWxD):	1940 x 560 x 550 mm
Weight:	54.9 kg
Fuse protection:	10 A
Door opening:	Right reversible
Nominal power:	220-240 V
Frequency:	50 Hz
Length electrical supply cord:	230.0 cm
Number of compressors:	1
Number of independent cooling systems:	2
Interior ventilator:	No
Reversible Door Hinge:	Yes
Number of Adjustable Shelves in fridge compartment:	4
Shelves for Bottles:	No
Frost free system:	Freezer
Installation type:	Fully integrated



Optional accessories

KS6BZR00	Bottle Rack
KSGGZM00	Butter box

iQ100, Built-in fridge-freezer with freezer at bottom, 193.5 x 54.1 cm, sliding hinge KI96NNSE0

Features

Design features

- Built-in fridge freezer
- Right hinged door, door reversible
- Height adjustable front feet
- Bright interior LED fridge light in fridge section
- Electronic control (2 LED chains)

Functions

- Automatic defrost in fridge section
- NO_FROST_NEU_BL, never have to defrost ever again
- Twin evaporators allows independent temperature control and ensures there is no transference of humidity between the fridge and freezer cavity.
- Super Cooling: automatic deactivation
- Optical and acoustical door open warning system

Food freshness system

- 1 vegetable/salad container

Key features - Fridge section

- 5 safety glass shelves in fridge compartment of which 4 are height adjustable
- Door shelves in fridge door: 1 large and 3 small.

Key features - Freezer section

- 3 freezer drawers

Additional features

- 3 x egg tray, 2 x ice cube tray

Performance and Consumption

- Climate Class: SN-ST
- Total Volume : 290 l
- Net Fridge Volume : 215 l
- Net Freezer Volume : 75 l
- Annual Energy Consumption: 231 kWh/a
- Noise Level : 34 dB , EU19_Noise emission class_D: B
- Temperature rise time : EU19_Temperature rise time_D: 10 H
- Freezing capacity 24h : 7.5 kg
- 220 - 240 V
- EU19_EEK_D: E
- EU19_Fast freezer facility_D
- Based on the results of the standard 24-hour test. Actual consumption depends on usage/position of the appliance.

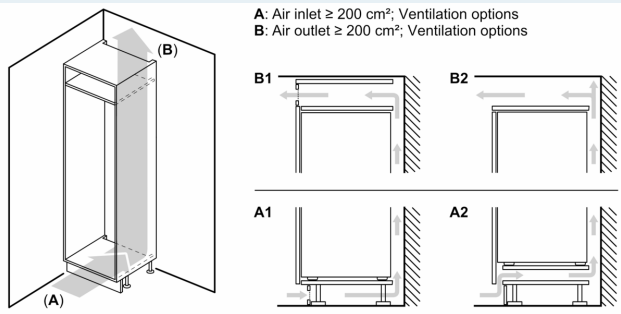
Dimension and installation

- Dimensions: 193.5 cm H x 54.1 cm W x 54.8 cm D
- Niche Dimensions: 194 cm H x 56 cm W x 55 cm D
- Length of power cord:230 cm

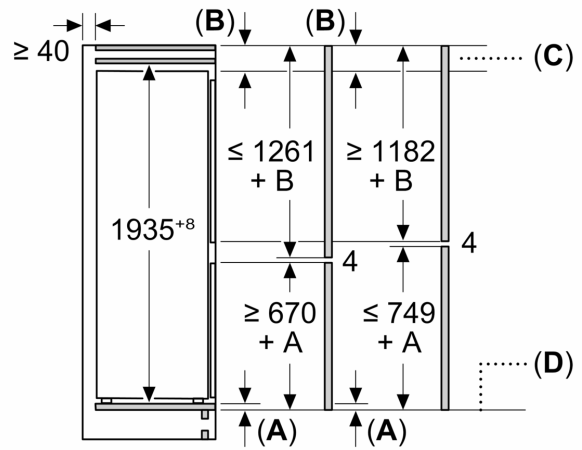
Country Specific Options

**iQ100, Built-in fridge-freezer with
freezer at bottom, 193.5 x 54.1
cm, sliding hinge
KI96NNSE0**

Dimensioned drawings



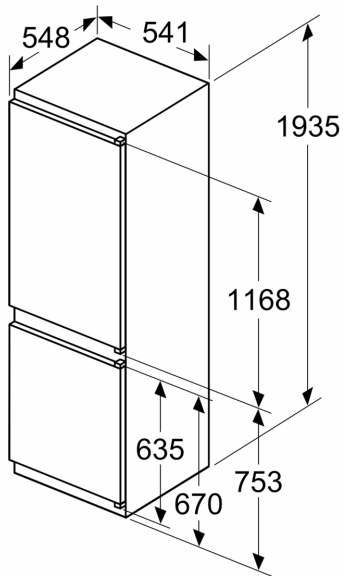
Measurements in mm



C: Front panel overhang

D: Lower edge of front panel

Measurements in mm



Measurements in mm

