

iQ300, Built-in fridge-freezer with freezer at bottom, 177.2 x 54.1 cm, flat hinge KI87VVF0G



built-in-fridge-freezer with energy efficiency class A++ and 3 practical freezer Fresh Boxes

- ✓ Less frost formation and faster defrosting with lowFrost.
- ✓ LED light – Ample, even lighting helps you check what's in your fridge faster.
- ✓ The fruit and vegetables stay crispy in the Fresh Box with wavy bottom.
- ✓ The bigBox offers plenty of space to store and stack large frozen items efficiently.
- ✓ superFreezing – Quick-freeze even large amounts of food.

Features

Technical Data

Energy Efficiency Class: F
 Average annual energy consumption in kilowatt hour per year (kWh/a): 259 kWh/annum
 Sum of volume of frozen compartments: 63 l
 Sum of volume of chill compartments: 209 l
 Airborne acoustical noise emissions : 38 dB(A) re 1 pW
 Airborne acoustical noise emission class: C
 Construction type: Built-in
 Door panel options: Not possible
 Width of the appliance: 541 mm
 Depth of the product: 545 mm
 Required niche size for installation (HxWxD): 1775.0 x 560 x 550 mm
 Net weight: 62.4 kg
 Connection rating: 90 W
 Fuse protection: 13 A
 Door hinge: Right reversible
 Voltage: 220-240 V
 Frequency: 50 Hz
 Approval certificates: CE, VDE
 Length of electrical supply cord: 230 cm
 Storage Period in Event of Power Failure (h): 13 h
 Number of compressors: 1
 Number of independent cooling systems: 1
 Interior ventilator: No
 Reversible Door Hinge: Yes
 Number of Adjustable Shelves in fridge compartment (Stck): 4
 Shelves for Bottles: No
 Frost free system: No
 Installation type: Full-integrated
 Type of hinge: Flush-folding

Included accessories

- 3 x egg tray
- 1 x ice cube tray



iQ300, Built-in fridge-freezer with freezer at bottom, 177.2 x 54.1 cm, flat hinge KI87VVF0G

Features

Functions

- Bright interior LED fridge light

Design features

- Electronic control (LED chain)
- VitaControl - constant temperature by intelligent sensor technology - Constant temperature control by intelligent sensor technology
- 1 compressor/1 cooling circuit
- superFreeze function with automatic deactivation

Design features

- 5 safety glass shelves of which 4 are height adjustable
- 5 door bins

Freshness System

- 1 vegetable/salad container
-

Food freshness system

- lowFrost - less ice creation and therefore quicker defrosting
- Removable safety glass shelves for extra space
- 2 transparent freezer drawers, 1 bigBox

Dimension and installation

- Dimensions: 177.2 cm H x 54.1 cm W x 54.5 cm D
- Niche Dimensions: 177.5 cm H x 56 cm W x 55 cm D

Key features - Fridge section

- Right hinged door, door reversible
- Connection value 90 W
- 220 - 240 V

Key features - Freezer section

- 3 x egg tray, 2 x ice cube tray

Country Specific Options

- Based on the results of the standard 24-hour test. Actual consumption depends on usage/position of the appliance.

Design features

Dimension and installation

Additional features

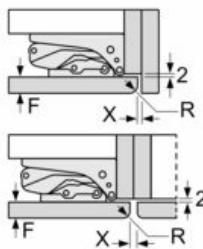
Performance and Consumption

- EU19_EEK_D: F
- Total Volume : 272 l
- Net Fridge Volume : 209 l
- Net Freezer Volume : 63 l
- Freezing capacity 24h : 3.1 kg
- Annual Energy Consumption: 259 kWh/a
- Climate Class: SN-ST
- Noise Level : 38 dB , EU19_Noise emission class_D: C
- Temperature rise time : EU19_Temperature rise time_D: 13 H

**iQ300, Built-in fridge-freezer with
freezer at bottom, 177.2 x 54.1 cm, flat
hinge
KI87VVF0G**

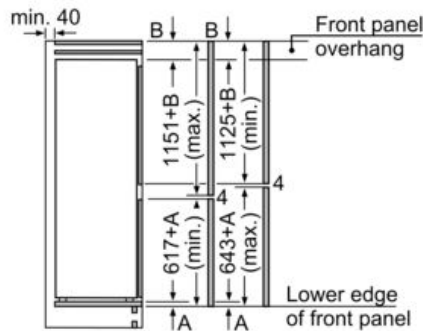
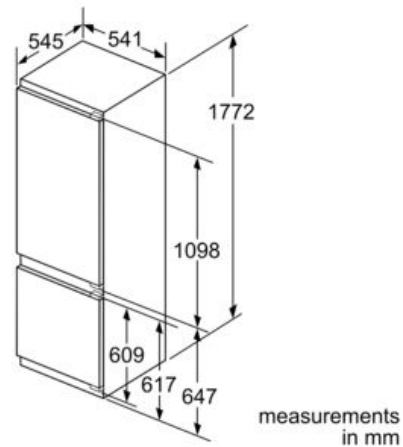
Dimensioned drawings

measurements in mm
Recommended gap dimensions for flat hinges



F	R	X
16-19	0-3	2.5
20	0-1	3
	2-3	2.5
21	0-1	3
	2-3	2.5
22	0	4
	1	3.5
	2-3	3

The gap dimensions recommended in the table must be adhered to in order to ensure that appliance doors do not collide with anything when they are opened, and to avoid causing damage to kitchen units.



The specified unit door dimensions are valid for a door gap of 4 mm.
measurements in mm

