

## iQ500, Built-in fridge-freezer with freezer at bottom, 177.2 x 55.8 cm, flat hinge KI87SAF30G



A++



built-in fridge freezer, with lowFrost technology and hyperFresh plus Box to keep produce fresh up to twice as long.

- ✓ The hyperFresh plus Box with adjustable humidity keeps fruit and vegetables fresh for longer.
- ✓ Less frost formation and faster defrosting with lowFrost.
- ✓ LED light – Ample, even lighting helps you check what's in your fridge faster.
- ✓ The bigBox offers plenty of space to store and stack large frozen items efficiently.
- ✓ The easyAccess glass shelves make loading easier and give you a better view of your food items.

### Features

#### Technical Data

Construction type : Built-in  
 Door panel options : Not possible  
 Width of the appliance : 558 mm  
 Depth of the product : 545 mm  
 Required niche size for installation (HxWxD) : 1775.0 x 560 x 550 mm  
 Net weight : 67.647 kg  
 Connection rating : 90 W  
 Fuse protection : 13 A  
 Door hinge : Right reversible  
 Voltage : 220-240 V  
 Frequency : 50 Hz  
 Approval certificates : CE, G-Mark, VDE  
 Length of electrical supply cord : 230 cm  
 Storage Period in Event of Power Failure (h) : 26 h  
 Number of compressors : 1  
 Number of independent cooling systems : 2  
 Interior ventilator : No  
 Reversible Door Hinge : Yes  
 Number of Adjustable Shelves in fridge compartment (Stck) : 4  
 Shelves for Bottles : No  
 EAN code : 4242003625354  
 Brand : Siemens  
 Product name / Commercial code : KI87SAF30G  
 Energy consumption annual - NEW (2010/30/EC) : 225.00 kWh/annum  
 Refrigerator Net capacity - NEW (2010/30/EC) : 209 l  
 Freezer Net capacity - NEW (2010/30/EC) : 61 l  
 Frost free system : No  
 Freezing capacity) - NEW (2010/30/EC) : 7 kg/24h  
 Climate class : SN-T  
 Noise level : 36 dB(A) re 1 pW  
 Installation type : Full-integrated

#### Included accessories

- 2 x cold accumulator
- 2 x egg tray
- 1 x ice cube tray



## iQ500, Built-in fridge-freezer with freezer at bottom, 177.2 x 55.8 cm, flat hinge KI87SAF30G

### Features

#### Performance and Consumption

- Energy Efficiency Class: A++
- Energy Efficiency Class: A++ kWh/yr: 0.616 kWh
- Total net capacity: 270 l litres
- Net fridge capacity: 209 litres
- Net freezer capacity: 61 litres
- Noise level dB(A) re 1 pW: 36

#### Design features

- Fixed hinge, softClosing door: No
- Right hinged door, door reversible
- LED display for fridge and freezer
- Removable magnetic door seals - easy to clean

#### Food freshness system

- 1 hyperFresh plus box with adjustable humidity - keeps fruit and vegetables fresh for longer.
- 
- VitaControl - constant temperature by intelligent sensor technology - Constant temperature control by intelligent sensor technology
- Twin evaporators allows independent temperature control and ensures there is no transference of humidity between the fridge and freezer cavity.

#### Key features - Fridge section

- Automatic defrost in fridge section
- Bright interior LED fridge light
- 
- 5 safety glass shelves in fridge compartment of which 4 are height adjustable
- Super Cooling: automatic deactivation

#### Key features - Freezer section

- Manual defrost freezer
- 4 star rating
- 2 freezer drawers
- Freezing capacity in 24 hours: 7 kg
- Maximum freezer storage time in power failure: 26 hours

#### Functions

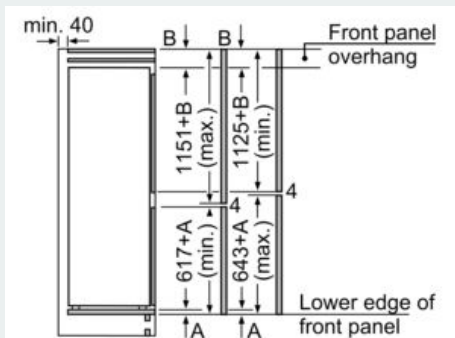
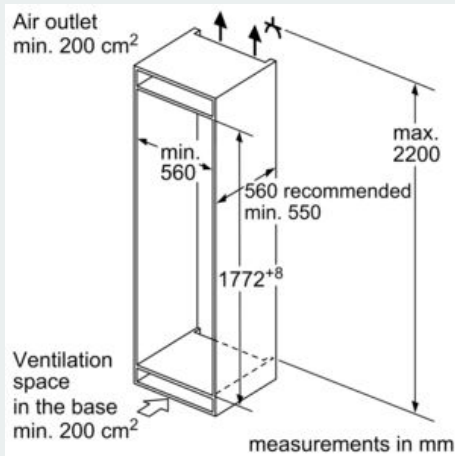
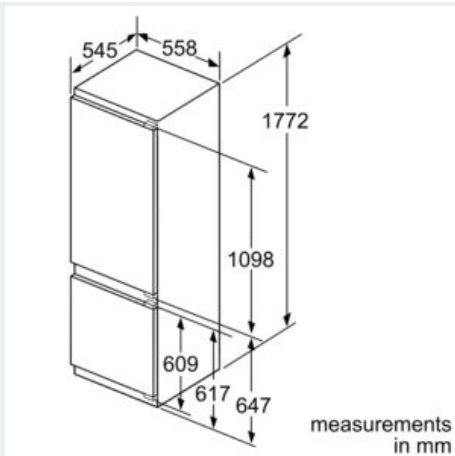
- Freezer malfunction warning signal: Optical and acoustical
- superFreeze function with automatic deactivation
- Acoustic open door warning system

#### Dimension and installation

- Connection value 90 W
- Dimensions: 177.2 cm H x 55.8 cm W x 54.5 cm D
- Niche Dimensions: 177.5 cm H x 56 cm W x 55 cm D
- Climate class SN-T (suitable for ambient temperatures between 10 to 43°C)

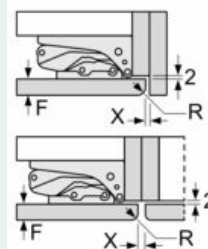
**iQ500, Built-in fridge-freezer with  
freezer at bottom, 177.2 x 55.8 cm, flat  
hinge  
KI87SAF30G**

Dimensioned drawings



The specified unit door dimensions are valid for a door gap of 4 mm.

measurements in mm  
Recommended gap dimensions for flat hinges



F	R	X
16-19	0-3	2.5
20	0-1	3
	2-3	2.5
21	0-1	3
	2-3	2.5
22	0	4
	1	3.5
	2-3	3

The gap dimensions recommended in the table must be adhered to in order to ensure that appliance doors do not collide with anything when they are opened, and to avoid causing damage to kitchen units.