

iQ500, Built-in fridge-freezer with freezer at bottom, 177.2 x 55.8 cm, flat hinge KI86SAFE0G



Included accessories

- 3 x egg tray
- 1 x ice cube tray
- 1 x bottle holder in door tray

built-in fridge freezer, with lowFrost technology and hyperFresh plus Box to keep produce fresh up to twice as long.

- ✓ The hyperFresh plus Box with adjustable humidity keeps fruit and vegetables fresh for longer.
- ✓ Less frost formation and faster defrosting with lowFrost.
- ✓ LED light – Ample, even lighting helps you check what's in your fridge faster.
- ✓ The bigBox offers plenty of space to store and stack large frozen items efficiently.
- ✓ The easyAccess glass shelves make loading easier and give you a better view of your food items.

Features

Technical Data

Energy Efficiency Class: E
 Average annual energy consumption in kilowatt hour per year (kWh/a): 219 kWh/annum
 Sum of volume of frozen compartments: 74 l
 Sum of volume of chill compartments: 192 l
 Airborne acoustical noise emissions : 36 dB(A) re 1 pW
 Airborne acoustical noise emission class: C
 Construction type: Built-in
 Door panel options: Not possible
 Height: 1772 mm
 Width of the appliance: 558 mm
 Depth of the product: 545 mm
 Min. required niche size for installation (HxWxD): 1775.0 x 560 x 550 mm
 Net weight: 62.7 kg
 Connection rating: 90 W
 Fuse protection: 13 A
 Door hinge: Right reversible
 Voltage: 220-240 V
 Frequency: 50 Hz
 Length of electrical supply cord: 230 cm
 Number of compressors: 1
 Number of independent cooling systems: 2
 Interior ventilator: No
 Reversible Door Hinge: Yes
 Number of Adjustable Shelves in fridge compartment (Stck): 4
 Shelves for Bottles: No
 Frost free system: No
 Installation type: Full-integrated
 Type of hinge: Flush-folding



iQ500, Built-in fridge-freezer with freezer at bottom, 177.2 x 55.8 cm, flat hinge KI86SAFE0G

Features

- KI86SAFE0G
- coolEfficiency
- easy Installation

Functions

- Bright interior LED fridge light

Design features

- LED display for fridge and freezer
- VitaControl - constant temperature by intelligent sensor technology - Constant temperature control by intelligent sensor technology
- Twin evaporators allows independent temperature control and ensures there is no transference of humidity between the fridge and freezer cavity.
- Super Cooling: automatic deactivation
- SuperFreeze with Manual/automatic activation
- Holiday mode
- Acoustic open door warning system
- Freezer malfunction warning signal: Optical and acoustical

Design features

- 5 safety glass shelves (4 height adjustable)
- 5 door trays, including 1x dairy compartment

Freshness System

- 1 hyperFresh plus box with adjustable humidity - keeps fruit and vegetables fresh for longer.
-

Food freshness system

- lowFrost - less ice creation and therefore quicker defrosting
- Removable safety glass shelves for extra space
- 3 transparent freezer drawers, 1 bigBox

Dimension and installation

- Dimensions: 177.2 cm H x 55.8 cm W x 54.5 cm D
- Niche Dimensions: 177.5 cm H x 56 cm W x 55 cm D

Key features - Fridge section

- Right hinged door, door reversible
- Connection value 90 W
- 220 - 240 V
- Transportation handles

Key features - Freezer section

- KI86SAFE0G
- bottle holder in door tray

Country Specific Options

- Based on the results of the standard 24-hour test. Actual consumption depends on usage/position of the appliance.

Design features

Dimension and installation

Additional features

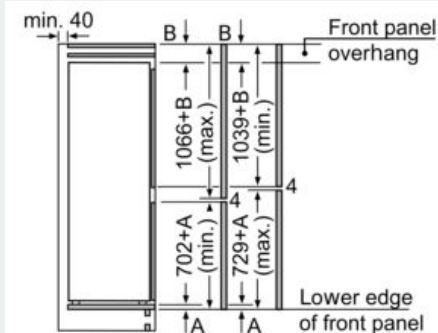
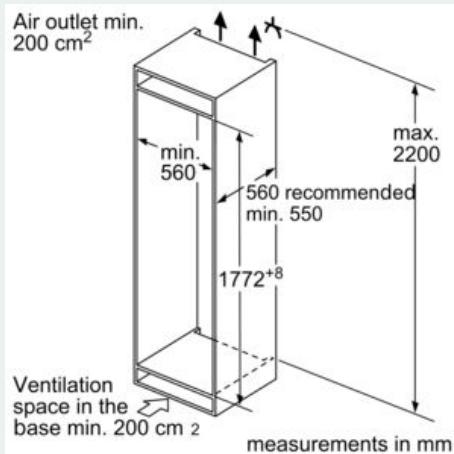
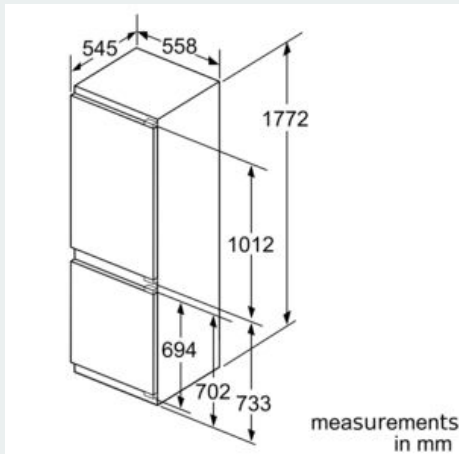
Performance and Consumption

- EU19_EEK_D: E
- Total Volume : 266 l
- Net Fridge Volume : 192 l
- Net Freezer Volume : 74 l

- Freezing capacity 24h : 7 kg
- Annual Energy Consumption: 219 kWh/a
- Climate Class: SN-ST
- Noise Level : 36 dB , EU19_Noise emission class_D: C
- Temperature rise time : EU19_Temperature rise time_D: 9 H

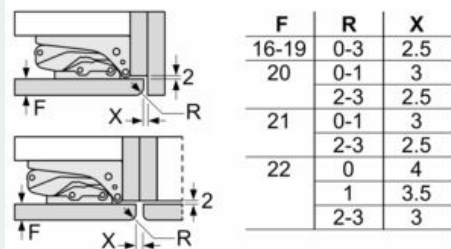
**iQ500, Built-in fridge-freezer with freezer at bottom, 177.2 x 55.8 cm, flat hinge
KI86SAFE0G**

Dimensioned drawings



The specified unit door dimensions are valid for a door gap of 4 mm.
measurements in mm

measurements in mm
Recommended gap dimensions for flat hinges



The gap dimensions recommended in the table must be adhered to in order to ensure that appliance doors do not collide with anything when they are opened, and to avoid causing damage to kitchen units.

