

iQ300, Built-in fridge-freezer with freezer at bottom, 177.2 x 54.1 cm, flat hinge KI86NVFE0G



KSGGZM00 Butter box

Built-in fridge-freezer with hyperFresh system to keep food fresh for longer and thanks to noFrost no more ice to build up in the freezer.

- ✓ noFrost – Never defrost your freezer again.
- ✓ autoAirflow – Ideal air circulation for even cooling at all levels, maintaining longer freshness.
- ✓ LED light – Even lighting throughout the inside of your fridge to keep everything in view.
- ✓ superFreezing: fast freezing for even large quantities of food.
- ✓ bottleRack – Store your bottles safely and within easy reach.

Energy Efficiency Class: E

Energy Efficiency Class:	E
Average annual energy consumption in kilowatt hour per year (kWh/a):	234 kWh/annum
Sum of volume of frozen compartments:	76 l
Sum of volume of chill compartments:	184 l
Airborne acoustical noise emissions :	35 dB(A) re 1 pW
Airborne acoustical noise emission class:	B
Built-in / Free-standing:	Built-in
Door panel options:	Possible but accessory
Height:	1772 mm
Width of the appliance:	541 mm
Dimensions:	548 mm
Min. required niche size for installation (HxWxD):	1775.0 x 560 x 550 mm
Weight:	54.0 kg
Fuse protection:	10 A
Door opening:	Right reversible
Nominal power:	220-240 V
Frequency:	50 Hz
Length electrical supply cord:	230.0 cm
Number of compressors:	1
Number of independent cooling systems:	1
Interior ventilator:	No
Reversible Door Hinge:	Yes
Number of Adjustable Shelves in fridge compartment:	3
Shelves for Bottles:	Yes
Frost free system:	Freezer
Installation type:	Fully integrated

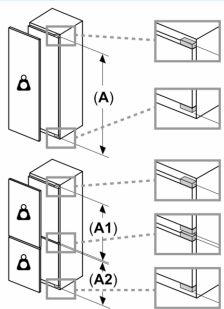
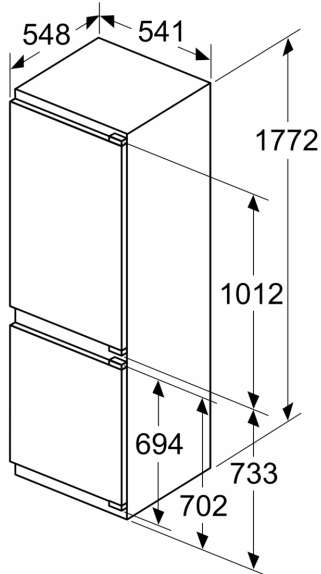


iQ300, Built-in fridge-freezer with freezer at bottom, 177.2 x 54.1 cm, flat hinge KI86NVFE0G

<ul style="list-style-type: none"> • KI86NVFE0G <p>Design features</p> <ul style="list-style-type: none"> • easy Installation <p>Performance and Consumption</p> <ul style="list-style-type: none"> • EU19_EEK_D: E • Total Volume : 260 l • Net Fridge Volume : 184 l • Net Freezer Volume : 76 l • Freezing capacity 24h : 4 kg • Annual Energy Consumption: 234 kWh/a • Climate Class: SN-ST • Noise Level : 35 dB , EU19_Noise emission class_D: B • Temperature rise time : EU19_Temperature rise time_D: 10 H <p>Functions</p> <ul style="list-style-type: none"> • Bright interior LED fridge light in fridge section <p>Design features</p> <ul style="list-style-type: none"> • Electronic control (LED chain) • Super Cooling: No • superFreeze function with automatic deactivation • Optical and acoustical door open warning system <p>Design features</p> <ul style="list-style-type: none"> • 4 safety glass shelves in fridge compartment of which 3 are height adjustable • 3 door trays, including 0x dairy compartment • 1 removable door storage compartments. • 3 door bins <p>Freshness System</p> <ul style="list-style-type: none"> • 1 hyperFresh box with integrated humidity control <p>Food freshness system</p> <ul style="list-style-type: none"> • NO_FROST_NEU_BL, never have to defrost ever again • 3 freezer drawers <p>Dimension and installation</p> <ul style="list-style-type: none"> • Dimensions: 177.2 cm H x 54.1 cm W x 54.8 cm D • Niche Dimensions: 177.5 cm H x 56 cm W x 55 cm D <p>Key features - Fridge section</p> <ul style="list-style-type: none"> • Right hinged door, door reversible • 220 - 240 V <p>Key features - Freezer section</p> <ul style="list-style-type: none"> • 3 x egg tray, 2 x ice cube tray <p>Country Specific Options</p> <ul style="list-style-type: none"> • Based on the results of the standard 24-hour test. Actual consumption depends on usage/position of the appliance. <p>Additional features</p>	<ul style="list-style-type: none"> • Net 4* compartment volume : 76 l
---	--

**iQ300, Built-in fridge-freezer with
freezer at bottom, 177.2 x 54.1
cm, flat hinge
KI86NVFE0G**

measurements in mm



Maximal permissible weight of the unit fronts

Fitted unit fronts that exceed the permissible weight may cause damage and result in functional impairment of the hinges

Δ Weight

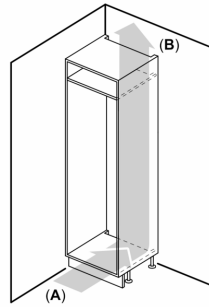
A: Appliance door height including hinges in mm

B: Undamped hinge, unit front in kg

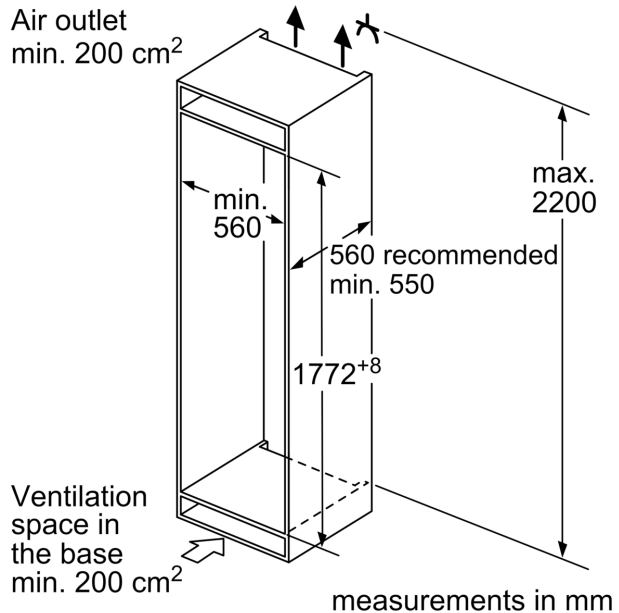
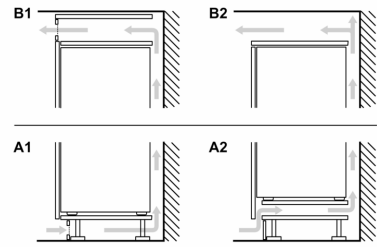
C: Damped hinge, unit front in kg

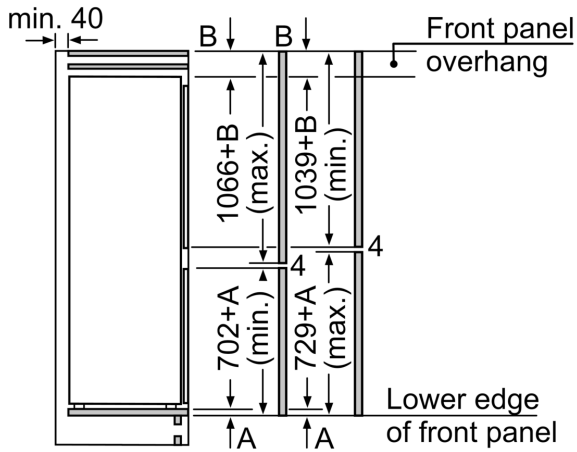
D: Additional possible load in kg with heavy load kit

A	B	C	D
1500-1750	22	22	B+5 / C+5
720-1400	19	19	
A1	15	19	
A2	15	19	



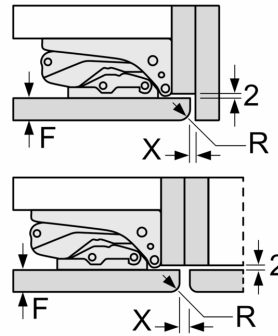
A: Air inlet $\geq 200 \text{ cm}^2$; Ventilation options
B: Air outlet $\geq 200 \text{ cm}^2$; Ventilation options





The specified unit door dimensions are valid for a door gap of 4 mm.
 measurements in mm

measurements in mm
 Recommended gap dimensions for flat hinges



F	R	X
16-19	0-3	2.5
20	0-1	3
	2-3	2.5
21	0-1	3
	2-3	2.5
22	0	4
	1	3.5
	2-3	3

The gap dimensions recommended in the table must be adhered to in order to ensure that appliance doors do not collide with anything when they are opened, and to avoid causing damage to kitchen units.