

## iQ300, Built-in fridge-freezer with freezer at bottom, 177.2 x 54.1 cm, flat hinge KI86NVF30G



A++



coolEfficiency built-in fridge freezer with hyperFresh plus Box to keep fruit and vegetables fresh up to 2 times longer, plus noFrost for no more defrosting.

- ✓ noFrost – Never defrost your freezer again.
- ✓ LED light – Ample, even lighting helps you check what's in your fridge faster.
- ✓ The fruit and vegetables stay crispy in the Fresh Box with wavy bottom.
- ✓ The bigBox offers plenty of space to store and stack large frozen items efficiently.
- ✓ superFreezing – Quick-freeze even large amounts of food.

### Features

#### Technical Data

Construction type : Built-in  
 Door panel options : Not possible  
 Width of the appliance : 541 mm  
 Depth of the product : 545 mm  
 Required niche size for installation (HxWxD) : 1775.0 x 560 x 550 mm  
 Net weight : 64.655 kg  
 Connection rating : 90 W  
 Fuse protection : 13 A  
 Door hinge : Right reversible  
 Voltage : 220-240 V  
 Frequency : 50 Hz  
 Approval certificates : CE, VDE  
 Length of electrical supply cord : 230 cm  
 Storage Period in Event of Power Failure (h) : 13 h  
 Number of compressors : 1  
 Number of independent cooling systems : 1  
 Interior ventilator : No  
 Reversible Door Hinge : Yes  
 Number of Adjustable Shelves in fridge compartment (Stck) : 3  
 Shelves for Bottles : No  
 EAN code : 4242003679715  
 Brand : Siemens  
 Product name / Commercial code : KI86NVF30G  
 Energy consumption annual - NEW (2010/30/EC) : 222.00 kWh/annum  
 Refrigerator Net capacity - NEW (2010/30/EC) : 188 l  
 Freezer Net capacity - NEW (2010/30/EC) : 67 l  
 Frost free system : Freezer  
 Freezing capacity) - NEW (2010/30/EC) : 8 kg/24h  
 Climate class : SN-ST  
 Noise level : 39 dB(A) re 1 pW  
 Installation type : Full-integrated

#### Included accessories

- 2 x cold accumulator
- 2 x egg tray
- 1 x ice cube tray



## iQ300, Built-in fridge-freezer with freezer at bottom, 177.2 x 54.1 cm, flat hinge KI86NVF30G

### Features

#### Performance and Consumption

- Energy Efficiency Class: A++
- Energy Efficiency Class: A++ kWh/yr: 0.607 kWh
- Total net capacity: 255 l litres
- Net fridge capacity: 188 litres
- Net freezer capacity: 67 litres
- Noise level dB(A) re 1 pW: 39

#### Design features

- Automatic defrost freezer
- Right hinged door, door reversible
- Electronic LED display
- Removable magnetic door seals - easy to clean

#### Food freshness system

- 1 vegetable/salad container
- 
- VitaControl - constant temperature by intelligent sensor technology - Constant temperature control by intelligent sensor technology
- 1 compressor/1 cooling circuit

#### Key features - Fridge section

- Automatic defrost in fridge section
- Bright interior LED fridge light
- 
- 4 safety glass shelves in fridge compartment of which 3 are height adjustable

#### Key features - Freezer section

- 4 star rating
- 3 freezer drawers
- Freezing capacity in 24 hours: 8 kg
- Maximum freezer storage time in power failure: 13 hours
- 3 x egg tray, 2 x ice cube tray, 2 x cold accumulator

#### Functions

- superFreeze function with automatic deactivation
- Acoustic open door warning system

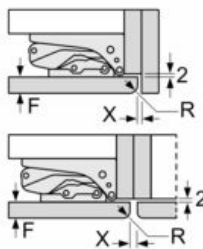
#### Dimension and installation

- easy Installation
- Connection value 90 W
- Dimensions: 177.2 cm H x 54.1 cm W x 54.5 cm D
- Niche Dimensions: 177.5 cm H x 56 cm W x 55 cm D
- Climate class SN-ST (suitable for ambient temperatures between 10 to 38°C)

**iQ300, Built-in fridge-freezer with freezer at bottom, 177.2 x 54.1 cm, flat hinge  
KI86NVF30G**

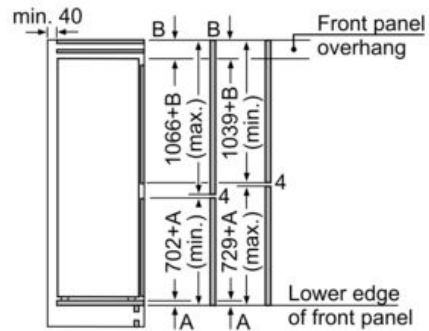
Dimensioned drawings

measurements in mm  
Recommended gap dimensions for flat hinges



F	R	X
16-19	0-3	2.5
20	0-1	3
	2-3	2.5
21	0-1	3
	2-3	2.5
22	0	4
	1	3.5
	2-3	3

The gap dimensions recommended in the table must be adhered to in order to ensure that appliance doors do not collide with anything when they are opened, and to avoid causing damage to kitchen units.



The specified unit door dimensions are valid for a door gap of 4 mm.  
measurements in mm

