

## iQ100, Built-in fridge-freezer with freezer at bottom, 177.2 x 54.1 cm, flat hinge KI85NNFE0G



KS6BZR00	Bottle Rack
KSGGZM00	Butter box

### Built-in fridge-freezer with noFrost for no defrosting effort

- ✓ noFrost – Never defrost your freezer again.
- ✓ LED light – Even lighting throughout the inside of your fridge to keep everything in view.
- ✓ autoAirflow – Ideal air circulation for even cooling at all levels, maintaining longer freshness.
- ✓ safetyGlass shelves – Extra strong and easy to clean.

### Technical Specifications

Energy Efficiency Class: .....	E
Average annual energy consumption in kilowatt hour per year (kWh/a): .....	239 kWh/annum
Sum of volume of frozen compartments: .....	99 l
Sum of volume of chill compartments: .....	150 l
Airborne acoustical noise emissions : .....	39 dB(A) re 1 pW
Airborne acoustical noise emission class: .....	C
Built-in / Free-standing: .....	Built-in
Door panel options: .....	Not possible
Height: .....	1772 mm
Width of the appliance: .....	541 mm
Dimensions: .....	548 mm
Min. required niche size for installation (HxWxD): ....	1775.0 x 560 x 550 mm
Weight: .....	54.7 kg
Fuse protection: .....	10 A
Door opening: .....	Right reversible
Nominal power: .....	220-240 V
Frequency: .....	50 Hz
Length electrical supply cord: .....	230.0 cm
Number of compressors: .....	1
Number of independent cooling systems: .....	1
Interior ventilator: .....	No
Reversible Door Hinge: .....	Yes
Number of Adjustable Shelves in fridge compartment: .....	2
Shelves for Bottles: .....	No
Frost free system: .....	Freezer
Installation type: .....	not available



## iQ100, Built-in fridge-freezer with freezer at bottom, 177.2 x 54.1 cm, flat hinge KI85NNFE0G

### Performance and Consumption

- EU19\_EEK\_D: E
- Total Volume : 249 l
- Annual Energy Consumption: 239 kWh/a
- Noise Level : 39 dB , EU19\_Noise emission class\_D: C

### Functions

- Bright interior LED fridge light in fridge section
- Built-in fridge freezer

### Design features

- NO\_FROST\_NEU\_BL, never have to defrost ever again
- EU19\_Fast freezer facility\_D
- Electronic control (LED chain)
- Super Cooling: automatic deactivation
- Optical and acoustical door open warning system
- Automatic defrost in fridge section

### Design features

- 3 safety glass shelves of which 2 are height adjustable
- Door shelves in fridge door: 1 large and 1 small.

### Freshness System

- 1 vegetable/salad container

### Food freshness system

- Net Freezer Volume : 99 l
- Freezing capacity 24h : 5.5 kg
- Temperature rise time : EU19\_Temperature rise time\_D: 10 H
- 4 freezer drawers

### Dimension and installation

- Dimensions: 177.2 cm H x 54.1 cm W x 54.8 cm D
- Niche Dimensions: 177.5 cm H x 56 cm W x 55 cm D

### Key features - Fridge section

- Right hinged door, door reversible
- Height adjustable front feet
- Length of power cord: 230 cm
- Climate Class: SN-ST
- 220 - 240 V

### Key features - Freezer section

- 3 x egg tray, 2 x ice cube tray

### Country Specific Options

- Based on the results of the standard 24-hour test. Actual consumption depends on usage/position of the appliance.

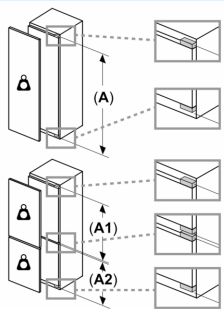
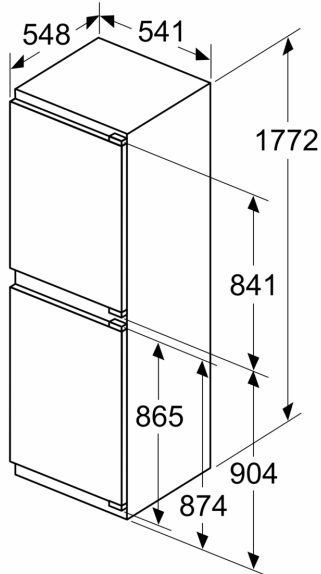
### Design features

### Dimension and installation

### Additional features

iQ100, Built-in fridge-freezer with freezer at bottom, 177.2 x 54.1 cm, flat hinge KI85NNFE0G

measurements in mm



Maximal permissible weight of the unit fronts

Fitted unit fronts that exceed the permissible weight may cause damage and result in functional impairment of the hinges

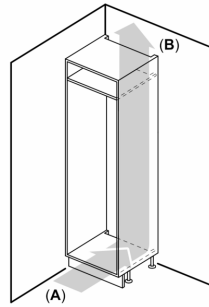
Δ Weight  
A: Appliance door height including hinges in mm

B: Undamped hinge, unit front in kg

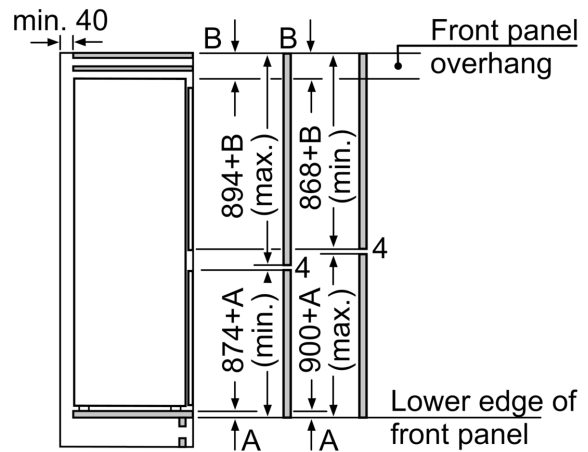
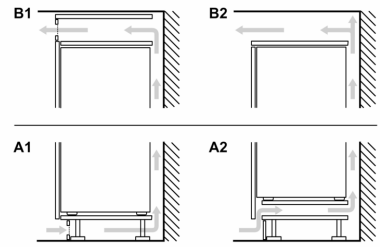
C: Damped hinge, unit front in kg

D: Additional possible load in kg with heavy load kit

A	B	C	D
1500-1750	22	22	B+5 / C+5
720-1400	19	19	
A1	15	19	
A2	15	19	

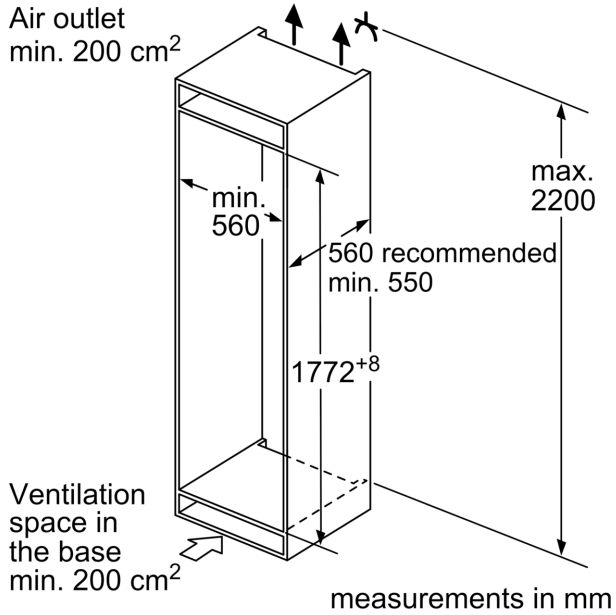


A: Air inlet  $\geq 200 \text{ cm}^2$ ; Ventilation options  
B: Air outlet  $\geq 200 \text{ cm}^2$ ; Ventilation options

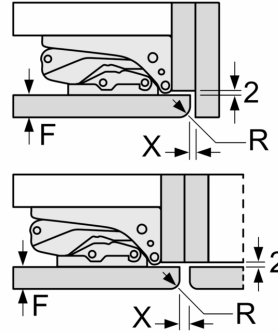


The specified unit door dimensions are valid for a door gap of 4 mm.

measurements in mm



measurements in mm  
Recommended gap dimensions for flat hinges



F	R	X
16-19	0-3	2.5
20	0-1	3
	2-3	2.5
21	0-1	3
	2-3	2.5
22	0	4
	1	3.5
	2-3	3

The gap dimensions recommended in the table must be adhered to in order to ensure that appliance doors do not collide with anything when they are opened, and to avoid causing damage to kitchen units.