

iQ500, Built-in fridge-freezer with freezer at bottom, 177.2 x 55.8 cm, soft close flat hinge KI85NAD30G



A++



coolEfficiency built-in fridge freezer with hyperFresh plus Box to keep fruit and vegetables fresh up to 2 times longer, plus noFrost and softClosing door.

- ✓ The hyperFresh plus Box with adjustable humidity keeps fruit and vegetables fresh for longer.
- ✓ noFrost – Never defrost your freezer again.
- ✓ LED light – Ample, even lighting helps you check what's in your fridge faster.
- ✓ The bigBox offers plenty of space to store and stack large frozen items efficiently.
- ✓ SoftClosing Door: door closes automatically and softly when it is open at a 20° angle or less.

Features

Technical Data

Construction type : Built-in
 Door panel options : Not possible
 Width of the appliance : 558 mm
 Depth of the product : 545 mm
 Required niche size for installation (HxWxD) : 1775.0 x 560 x 550 mm
 Net weight : 69.848 kg
 Connection rating : 90 W
 Fuse protection : 13 A
 Door hinge : Right reversible
 Voltage : 220-240 V
 Frequency : 50 Hz
 Approval certificates : CE, G-Mark, VDE
 Length of electrical supply cord : 230 cm
 Storage Period in Event of Power Failure (h) : 13 h
 Number of compressors : 1
 Number of independent cooling systems : 2
 Interior ventilator : No
 Reversible Door Hinge : Yes
 Number of Adjustable Shelves in fridge compartment (Stck) : 3
 Shelves for Bottles : No
 EAN code : 4242003612590
 Brand : Siemens
 Product name / Commercial code : KI85NAD30G
 Energy consumption annual - NEW (2010/30/EC) : 232.00 kWh/annum
 Refrigerator Net capacity - NEW (2010/30/EC) : 154 l
 Freezer Net capacity - NEW (2010/30/EC) : 92 l
 Frost free system : Freezer
 Freezing capacity) - NEW (2010/30/EC) : 9 kg/24h
 Climate class : SN-ST
 Noise level : 39 dB(A) re 1 pW
 Installation type : Full-integrated

Included accessories

- 2 x cold accumulator
- 2 x egg tray
- 1 x ice cube tray



iQ500, Built-in fridge-freezer with freezer at bottom, 177.2 x 55.8 cm, soft close flat hinge KI85NAD30G

Features

Performance and Consumption

- Energy Efficiency Class: A++
- Energy Efficiency Class: A++ kWh/yr: 0.635 kWh
- Total net capacity: 246 l litres
- Net fridge capacity: 154 litres
- Net freezer capacity: 92 litres
- Noise level dB(A) re 1 pW: 39

Design features

- Automatic defrost freezer
- Fixed hinge, softClosing door system - dampens door movement, for smooth and effortless closure
- Right hinged door, door reversible
- LED display for fridge and freezer
- Removable magnetic door seals - easy to clean

Food freshness system

- 1 hyperFresh plus box with adjustable humidity - keeps fruit and vegetables fresh for longer.
- VitaControl - constant temperature by intelligent sensor technology - Constant temperature control by intelligent sensor technology
- Twin evaporators allows independent temperature control and ensures there is no transference of humidity between the fridge and freezer cavity.

Key features - Fridge section

- Automatic defrost in fridge section
- Bright interior LED fridge light
- 4 safety glass shelves in fridge compartment of which 3 are height adjustable
- Super Cooling: automatic deactivation

Key features - Freezer section

- 4 star rating
- 4 freezer drawers
- Freezing capacity in 24 hours: 9 kg
- Maximum freezer storage time in power failure: 13 hours

Functions

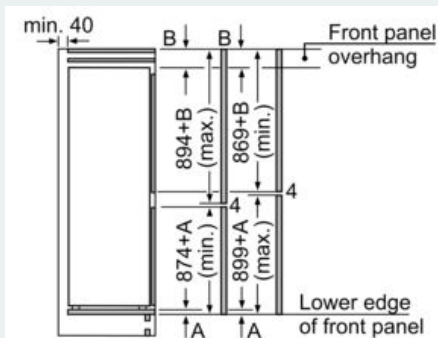
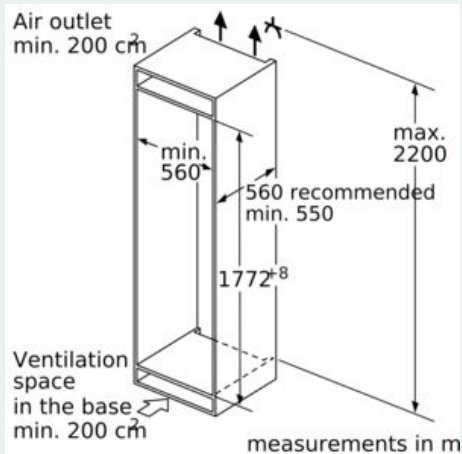
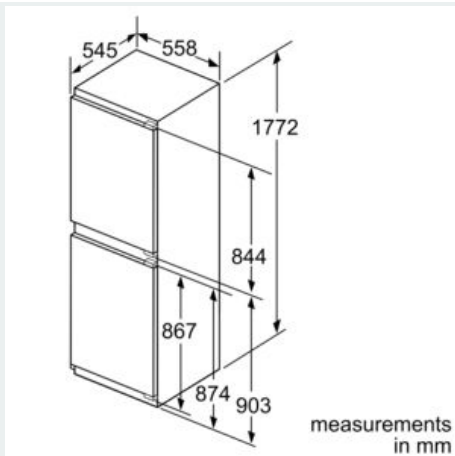
- Freezer malfunction warning signal: Optical and acoustical
- superFreeze function with automatic deactivation
- Acoustic open door warning system

Dimension and installation

- Connection value 90 W
- Dimensions: 177.2 cm H x 55.8 cm W x 54.5 cm D
- Niche Dimensions: 177.5 cm H x 56 cm W x 55 cm D
- Climate class SN-ST (suitable for ambient temperatures between 10 to 38°C)

**iQ500, Built-in fridge-freezer with
freezer at bottom, 177.2 x 55.8 cm,
soft close flat hinge
KI85NAD30G**

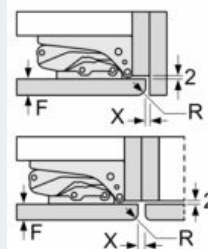
Dimensioned drawings



The specified unit door dimensions are valid for a door gap of 4 mm.

measurements in mm

measurements in mm
Recommended gap dimensions for flat hinges



F	R	X
16-19	0-3	2.5
20	0-1	3
	2-3	2.5
21	0-1	3
	2-3	2.5
22	0	4
	1	3.5
	2-3	3

The gap dimensions recommended in the table must be adhered to in order to ensure that appliance doors do not collide with anything when they are opened, and to avoid causing damage to kitchen units.