

iQ300, Built-in fridge with freezer section, 177.5 x 56 cm, flat hinge KI82LVFE0



3 x egg tray, 1 x ice cube tray, 1 x Heavy-duty hinge support

KSGGZM00 Butter box

Built-in refrigerator with **** freezer compartment, especially stable door trays, bright LED light and autoAirflow for optimal food storage conditions.

- ✓ LED light – Even lighting throughout the inside of your fridge to keep everything in view.
- ✓ superCooling: faster cooling for fresh food.
- ✓ safetyGlass shelves – Extra strong and easy to clean.
- ✓ bottleRack – Store your bottles safely and within easy reach.
- ✓ varioZone – easily arrange drawers and glass shelves to bring flexibility to your freezer space.

Energy Efficiency Class: E

Energy Efficiency Class:	E
Average annual energy consumption in kilowatt hour per year (kWh/a):	177 kWh/annum
Sum of volume of frozen compartments:	34 l
Sum of volume of chill compartments:	246 l
Airborne acoustical noise emissions :	35 dB(A) re 1 pW
Airborne acoustical noise emission class:	B
Built-in / Free-standing:	Built-in
Door panel options:	Not possible
Height:	1772 mm
Width of the appliance:	541 mm
Dimensions:	548 mm
Min. required niche size for installation (HxWxD):	1775.0 x 560 x 550 mm
Weight:	56.3 kg
Fuse protection:	10 A
Door opening:	Right reversible
Nominal power:	220-240 V
Frequency:	50 Hz
Length electrical supply cord:	230.0 cm
Number of compressors:	1
Number of independent cooling systems:	1
Interior ventilator:	Yes
Reversible Door Hinge:	Yes
Number of Adjustable Shelves in fridge compartment:	4
Shelves for Bottles:	Yes
EAN code:	4242003928882
Brand:	Siemens
Product name / Commercial code:	KI82LVFE0
Product category:	Upright fridge
Frost free system:	No
Installation type:	Fully integrated
Included accessories:	3 x egg tray, 1 x ice cube tray, 1 x Heavy-duty hinge support



iQ300, Built-in fridge with freezer section, 177.5 x 56 cm, flat hinge KI82LVFEO

Performance and Consumption

- EU19_EEK_D: E
- Total Volume : 280 l
- Net Fridge Volume : 246 l
- Net Freezer Volume : 34 l
- Freezing capacity 24h : 2.5 kg
- Annual Energy Consumption: 177 kWh/a
- Climate Class: SN-ST
- EU19_Fast freezer facility_D
- Noise Level : 35 dB , EU19_Noise emission class_D: B
- Temperature rise time : EU19_Temperature rise time_D: 18 H

Functions

- no handle
- Bright interior LED fridge light in fridge section

Design features

- Electronic control (LED chain)
- 1 compressor/1 cooling circuit
- Super Cooling: automatic deactivation
- Optical and acoustical door open warning system

Design features

- 6 safety glass shelves of which 4 are height adjustable
- Bottle rack
- Door shelves in fridge door: 2 large and 3 small.

Freshness System

- 2 vegetable/salad containers

Food freshness system

- 1 hinged freezer compartment

Dimension and installation

- Dimensions: 177.2 cm H x 54.1 cm W x 54.8 cm D

Key features - Fridge section

- Right hinged door, door reversible
- Height adjustable front feet
- 220 - 240 V
- Length of power cord: 230 cm

Key features - Freezer section

- Heavy-duty hinge support, 3 x egg tray, 2 x ice cube tray

Country Specific Options

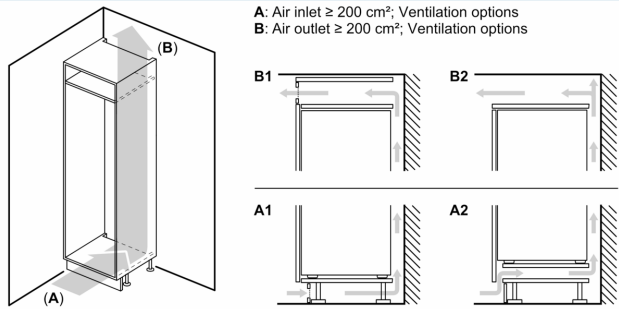
- Based on the results of the standard 24-hour test. Actual consumption depends on usage/position of the appliance.

Design features

Dimension and installation

Additional features

iQ300, Built-in fridge with freezer section, 177.5 x 56 cm, flat hinge KI82LVFE0



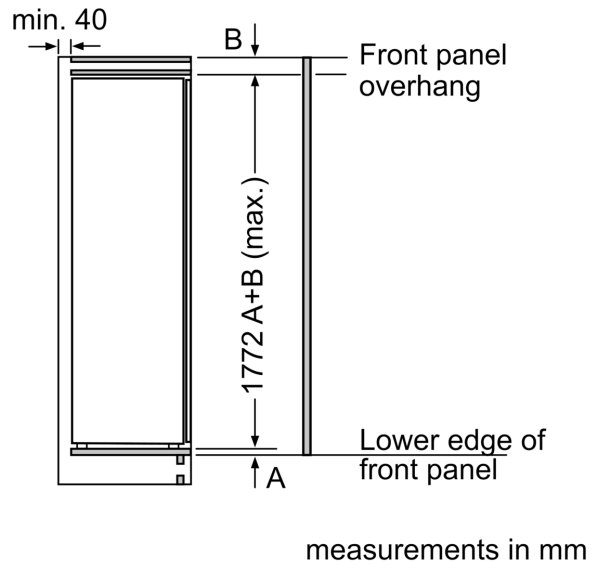
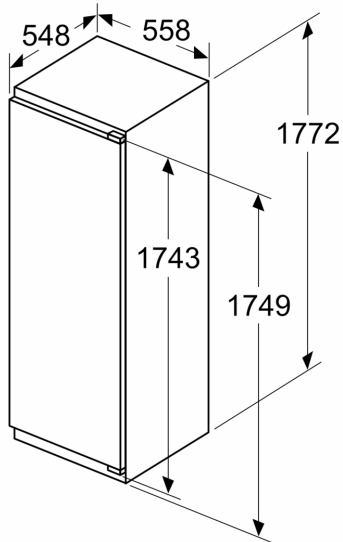
Maximal permissible weight of the unit fronts

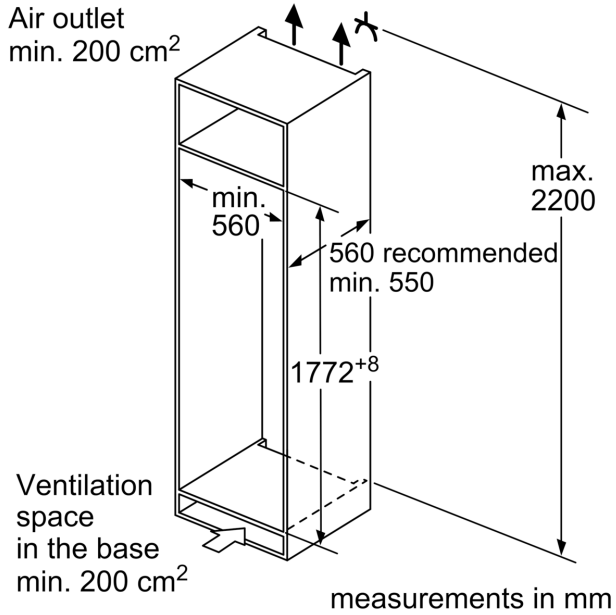
Fitted unit fronts that exceed the permissible weight may cause damage and result in functional impairment of the hinges

Δ Weight
A: Appliance door height including hinges in mm
B: Undamped hinge, unit front in kg
C: Damped hinge, unit front in kg
D: Additional possible load in kg with heavy load kit

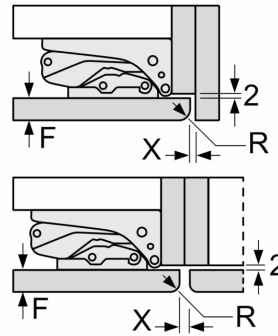
A	B	C	D
1500-1750	22	22	B+5 / C+5
720-1400	19	19	
A1	15	19	
A2	15	19	

Measurements in mm





measurements in mm
Recommended gap dimensions for flat hinges



F	R	X
16-19	0-3	2.5
20	0-1	3
	2-3	2.5
21	0-1	3
	2-3	2.5
22	0	4
	1	3.5
	2-3	3

The gap dimensions recommended in the table must be adhered to in order to ensure that appliance doors do not collide with anything when they are opened, and to avoid causing damage to kitchen units.