

**iQ300, Built-in fridge, 177.5 x 56 cm, flat hinge  
KI81RVFEOG**



The built-in fridge with Fresh drawer for fruit and vegetables, fast cool down function and bright LED light provides ideal storage.

- ✓ LED light – Even lighting throughout the inside of your fridge to keep everything in view.
- ✓ superCooling: faster cooling for fresh food.
- ✓ bottleRack – Store your bottles safely and within easy reach.
- ✓ safetyGlass shelves – Extra strong and easy to clean.

Energy Efficiency Class: ..... E  
 Average annual energy consumption in kilowatt hour per year (kWh/a): ..... 114 kWh/annum  
 Sum of volume of frozen compartments: ..... 0 l  
 Sum of volume of chill compartments: ..... 310 l  
 Airborne acoustical noise emissions : ..... 35 dB(A) re 1pW  
 Airborne acoustical noise emission class: ..... B  
 Built-in / Free-standing: ..... Built-in  
 Door panel options: ..... Not possible  
 Height: ..... 1772 mm  
 Width of the appliance: ..... 541 mm  
 Dimensions: ..... 548 mm  
 Min. required niche size for installation (HxWxD): .... 1775.0 x 560 x 550 mm  
 Weight: ..... 52.3 kg  
 Fuse protection: ..... 10 A  
 Door opening: ..... Right reversible  
 Nominal power: ..... 220-240 V  
 Frequency: ..... 50 Hz  
 Length electrical supply cord: ..... 230.0 cm  
 Number of compressors: ..... 1  
 Number of independent cooling systems: ..... 1  
 Interior ventilator: ..... Yes  
 Reversible Door Hinge: ..... Yes  
 Number of Adjustable Shelves in fridge compartment: ..... 5  
 Shelves for Bottles: ..... Yes  
 EAN code: ..... 4242003933367  
 Brand: ..... Siemens  
 Product name / Commercial code: ..... KI81RVFEOG  
 Product category: ..... Upright fridge  
 Frost free system: ..... No  
 Installation type: ..... Fully integrated  
 Included accessories: ..... 3 x egg tray, 1 x Heavy-duty hinge support

3 x egg tray, 1 x Heavy-duty hinge support

KSGGZM00 Butter box



## iQ300, Built-in fridge, 177.5 x 56 cm, flat hinge KI81RVFEOG

- Built-in fridge
- easy Installation
- Fixed hinge, softClosing door: No

### Performance and Consumption

- EU19\_EEK\_D: E
- Total Volume : 310 l
- Annual Energy Consumption: 114 kWh/a
- Noise Level : 35 dB , EU19\_Noise emission class\_D: B

### Functions

- Bright interior LED fridge light in fridge section

### Design features

- Electronic control (LED chain)
- Super Cooling: automatic deactivation
- Optical and acoustical door open warning system

### Design features

- Net Fridge Volume : 310 l
- 7 safety glass shelves in fridge compartment of which 5 are height adjustable
- Door shelves in fridge door: 2 large and 3 small.
- Bottle rack

### Freshness System

- 2 vegetable/salad containers

### Food freshness system

### Dimension and installation

- Dimensions: 177.2 cm H x 54.1 cm W x 54.8 cm D
- Niche Dimensions: 177.5 cm H x 56 cm W x 55 cm D

### Key features - Fridge section

- Length of power cord:230 cm
- Climate Class: SN-ST
- 220 - 240 V

### Key features - Freezer section

- Heavy-duty hinge support, 3 x egg tray

### Country Specific Options

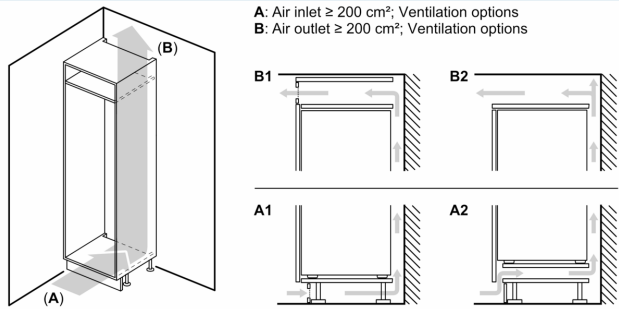
- Based on the results of the standard 24-hour test. Actual consumption depends on usage/position of the appliance.

### Design features

### Dimension and installation

### Additional features

**iQ300, Built-in fridge, 177.5 x 56 cm, flat hinge  
KI81RVFE0G**

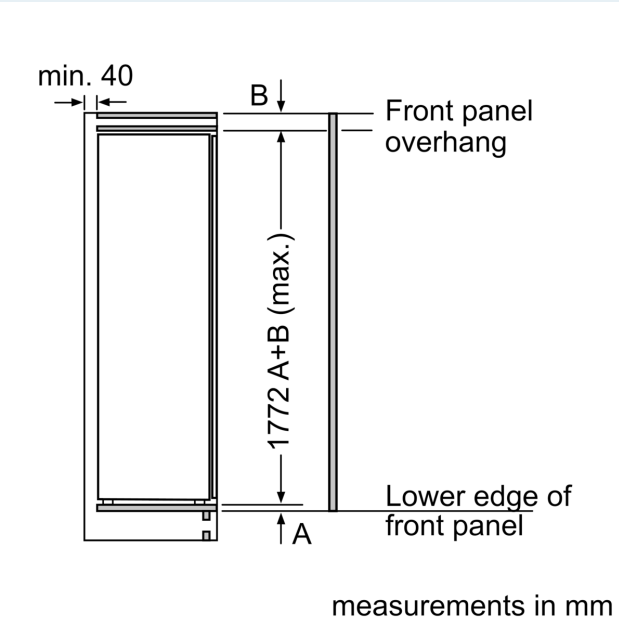
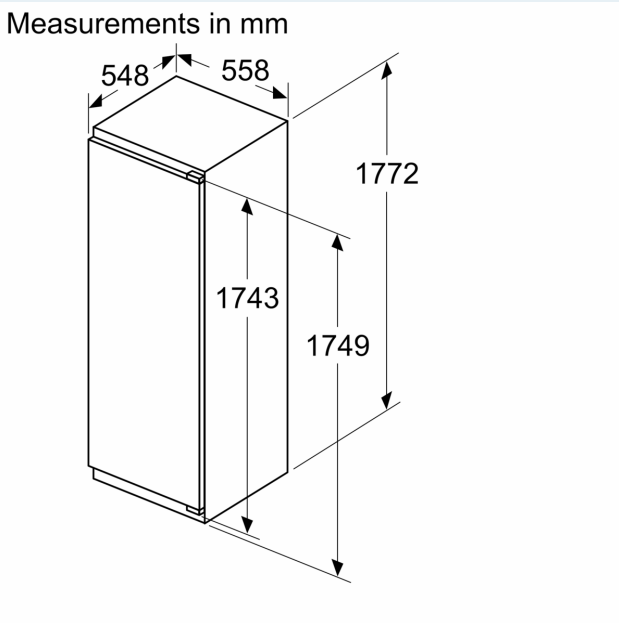


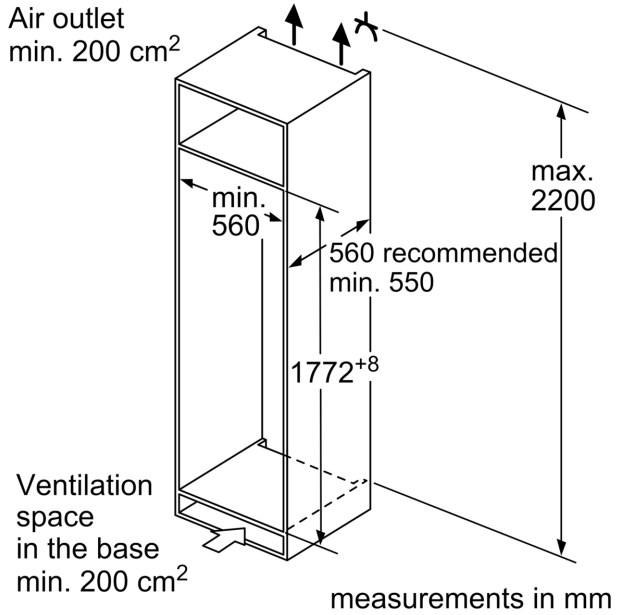
**Maximal permissible weight of the unit fronts**

Fitted unit fronts that exceed the permissible weight may cause damage and result in functional impairment of the hinges

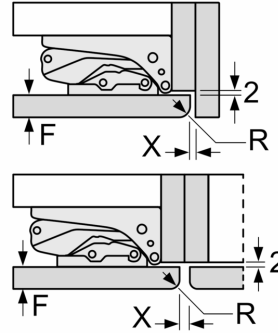
**Δ**: Weight  
**A**: Appliance door height including hinges in mm  
**B**: Undamped hinge, unit front in kg  
**C**: Damped hinge, unit front in kg  
**D**: Additional possible load in kg with heavy load kit

A	B	C	D
1500-1750	22	22	B+5 / C+5
720-1400	19	19	
<b>A1</b>	15	19	
<b>A2</b>	15	19	





measurements in mm  
Recommended gap dimensions for flat hinges



F	R	X
16-19	0-3	2.5
20	0-1	3
	2-3	2.5
21	0-1	3
	2-3	2.5
22	0	4
	1	3.5
	2-3	3

The gap dimensions recommended in the table must be adhered to in order to ensure that appliance doors do not collide with anything when they are opened, and to avoid causing damage to kitchen units.