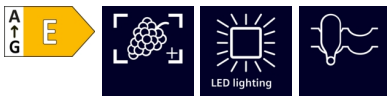


iQ500, Built-in fridge, 177.5 x 56 cm, soft close flat hinge KI81RADE0G



refrigerator with hyperFresh plus to keep fruit and vegetables fresh up to 2 times longer, plus touchControl temperature control.

- ✓ The hyperFresh plus Box with adjustable humidity keeps fruit and vegetables fresh for longer.
- ✓ LED light – Ample, even lighting helps you check what's in your fridge faster.
- ✓ Door closes automatically and softly when it is open at a 20° angle or less - Soft closing.
- ✓ bottleRack – Store your bottles safely and in easy reach.
- ✓ The superCooling button reduces the temperature for a set time, to quickly cool down fresh food items.

Features

Technical Data

Energy Efficiency Class: E
 Average annual energy consumption in kilowatt hour per year (kWh/a): 115 kWh/a
 Sum of volume of frozen compartments: 0 l
 Sum of volume of chill compartments: 319 l
 Airborne acoustical noise emissions : 37 dB(A) re 1 pW
 Airborne acoustical noise emission class: C
 Construction type: Built-in
 Door panel options: Not possible
 Height: 1772 mm
 Width of the appliance: 558 mm
 Depth of the product: 545 mm
 Min. required niche size for installation (HxWxD): 1775.0 x 560 x 550 mm
 Net weight: 61.7 kg
 Connection rating: 90 W
 Fuse protection: 10 A
 Door hinge: Right reversible
 Voltage: 220-240 V
 Frequency: 50 Hz
 Length of electrical supply cord: 230.0 cm
 Number of compressors: 1
 Number of independent cooling systems: 1
 Interior ventilator: Yes
 Reversible Door Hinge: Yes
 Number of Adjustable Shelves in fridge compartment (Stck): 6
 Shelves for Bottles: Yes
 EAN code: 4242003884485
 Brand: Siemens
 Product name / Commercial code: KI81RADE0G
 Product category: Refrigerator
 Frost free system: No
 Installation type: Full-integrated
 Included accessories: 3 x egg tray

Included accessories

3 x egg tray



iQ500, Built-in fridge, 177.5 x 56 cm, soft close flat hinge KI81RADE0G

Features

- coolEfficiency

Design features

- Automatic defrost in fridge section
- Electronic LED display
- Right hinged door, door reversible

Freshness System

- VitaControl - constant temperature by intelligent sensor technology - Constant temperature control by intelligent sensor technology

Key features - Fridge section

- 1 x hydroFresh drawer - humidity controlled vegetable/salad container on telescopic rails for prolonged storage
- 1 x humidity controlled vegetable/salad drawer on telescopic rails
- Bright interior LED fridge light
-
- Super Cooling: automatic deactivation
- Acoustic open door warning system
- 7 safety glass shelves (6 height adjustable)
- 6 door trays, including 1x dairy compartment
- Bottle rack
- bottle holder in door tray

Dimension and installation

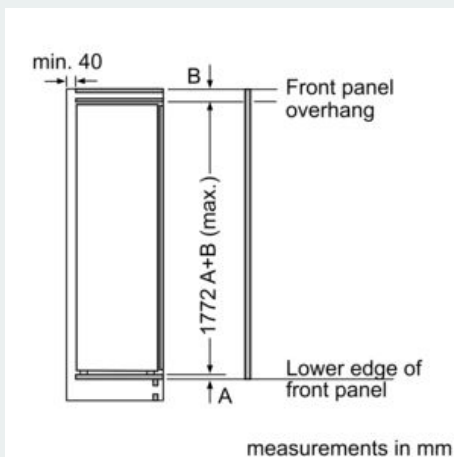
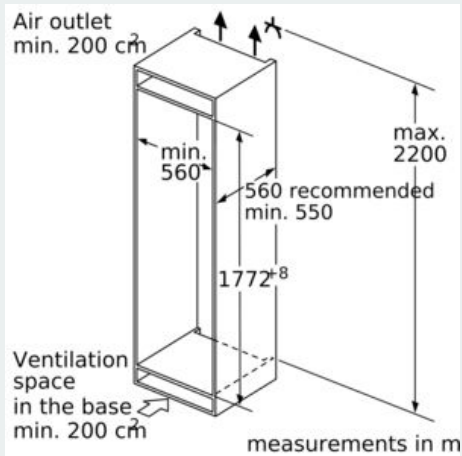
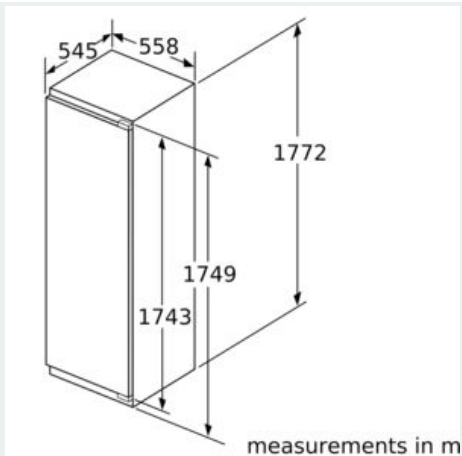
- easy Installation
- Connection value 90 W
- Dimensions: 177.2 cm H x 55.8 cm W x 54.5 cm D
- Niche Dimensions: 177.5 cm H x 56 cm W x 55 cm D
- Based on the results of the standard 24-hour test. Actual consumption depends on usage/position of the appliance.

Performance and Consumption

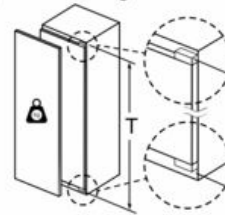
- EU19_EEK_D: E
- Total Volume : 319 l
- Net Fridge Volume : 319 l
- Net Freezer Volume : 0 l
- Annual Energy Consumption: 115 kWh/a
- Climate Class: SN-ST
- Noise Level : 37 dB , EU19_Noise emission class_D: C

iQ500, Built-in fridge, 177.5 x 56 cm, soft close flat hinge KI81RADE0G

Dimensioned drawings



Maximal permissible weight of the unit fronts

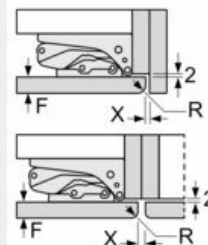


Fitted kitchen unit doors that exceed the permissible weight may cause damage and result in functional impairment of the hinges.

T: Includes height of appliance door Hinges in mm:	undamped hinge, Door in kg:	damped hinge, Door in kg:
1500-1750	22	22

measurements in mm

Recommended gap dimensions for flat hinges



F	R	X
16-19	0-3	2.5
20	0-1	3
	2-3	2.5
21	0-1	3
	2-3	2.5
22	0	4
	1	3.5
	2-3	3

The gap dimensions recommended in the table must be adhered to in order to ensure that appliance doors do not collide with anything when they are opened, and to avoid causing damage to kitchen units.

Maximal permissible weight of the unit fronts

Fitted unit fronts that exceed the permissible weight may cause damage and result in functional impairment of the hinges

Δ Weight

A: Appliance door height including hinges in mm

B: Undamped hinge, unit front in kg

C: Damped hinge, unit front in kg

D: Additional possible load in kg with heavy load kit

A	B	C	D
1500-1750	22	22	
720-1400	19	19	B+5 / C+5
A1	15	19	
A2	15	19	

**iQ500, Built-in fridge, 177.5 x 56 cm,
soft close flat hinge
KI81RADE0G**

Dimensioned drawings

