

iQ700, Built-in fridge, 177.5 x 56 cm KI81FHD40



A+++



Premium refrigerator with hyperFresh premium 0°C to keep food fresh up to 3 times longer.

- ✓ Storage Guide: Easily find the best possible place for each individual food.
- ✓ hyperFresh Premium 0°C –#Optimal storage for all your fresh ingredients.
- ✓ Home Connect – Control your smart fridge no matter where you are.
- ✓ SoftClosing Door: door closes automatically and softly when it is open at a 20° angle or less.
- ✓ bottleRack – Store your bottles safely and in easy reach.

Features

Technical Data

Construction type : Built-in
 Door panel options : Not possible
 Height : 1772 mm
 Width of the appliance : 558 mm
 Depth of the product : 545 mm
 Required niche size for installation (HxWxD) : 1775.0 x 560 x 550 mm
 Net weight : 68.200 kg
 Connection rating : 90 W
 Fuse protection : 10 A
 Door hinge : Right reversible
 Voltage : 220-240 V
 Frequency : 50 Hz
 Approval certificates : CE
 Length of electrical supply cord : 230 cm
 Number of compressors : 1
 Number of independent cooling systems : 1
 Interior ventilator : No
 Reversible Door Hinge : Yes
 Number of Adjustable Shelves in fridge compartment (Stck) : 6
 Shelves for Bottles : Yes
 EAN code : 4242003835685
 Brand : Siemens
 Product name / Commercial code : KI81FHD40
 Product category : Refrigerator
 Energy consumption annual - NEW (2010/30/EC) : 88.00 kWh/annum
 Refrigerator Net capacity - NEW (2010/30/EC) : 289 l
 Freezer Net capacity - NEW (2010/30/EC) : 0 l
 Frost free system : No
 Freezing capacity) - NEW (2010/30/EC) : 0 kg/24h
 Noise level : 36 dB(A) re 1 pW
 Climate class : SN-T
 Installation type : Full-integrated

Included accessories

- 3 x egg tray
- 1 x bottle holder in door tray



iQ700, Built-in fridge, 177.5 x 56 cm KI81FHD40

Features

Performance and Consumption

- Energy consumption: 88 kWh kWh/yr.
- Total net capacity: 289 l litres
- Net fridge capacity: 206 litres
- Capacity in 0° C section: 83 l
- Noise level dB(A) re 1 pW: 36

Design features

- softClosing door system - dampens door movement, for smooth and effortless closure
- Right hinged door, door reversible
- Fixed hinge
- LED fridge light with Soft Start
-
- Electronic LED display
- 1 compressor/1 cooling circuit

Food freshness system

- VitaControl - constant temperature by intelligent sensor technology - Constant temperature control by intelligent sensor technology
- 1 hyperFresh premium 0°C box with adjustable humidity - keeps fruit and vegetables fresher for longer.
- 2 hyperFresh premium 0°C boxes - keep fish and meat fresher for longer.
-
- 1 hyperFresh premium 0°C box with adjustable humidity - keeps fruit and vegetables fresher for longer.
-

Key features - Fridge section

- 7 safety glass shelves (6 height adjustable)
- 5 door trays, including 1x dairy compartment
- Interior design with metal applications
- 1 removable door storage compartments.
- LED fridge light with Soft Start
- 3 x egg tray, 1 x bottle holder in door tray
- Bottle rack

Functions

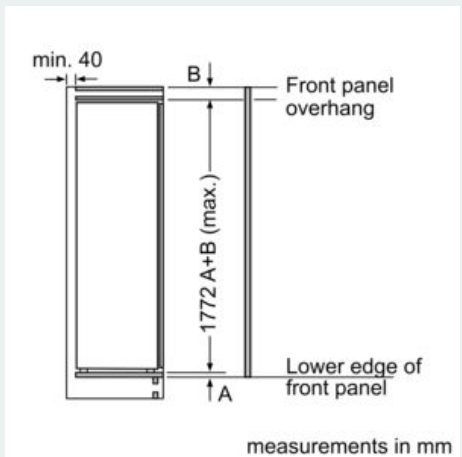
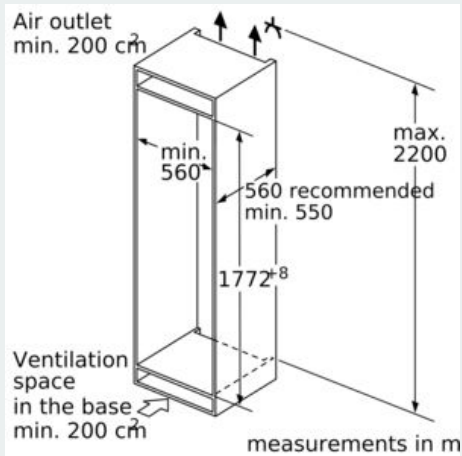
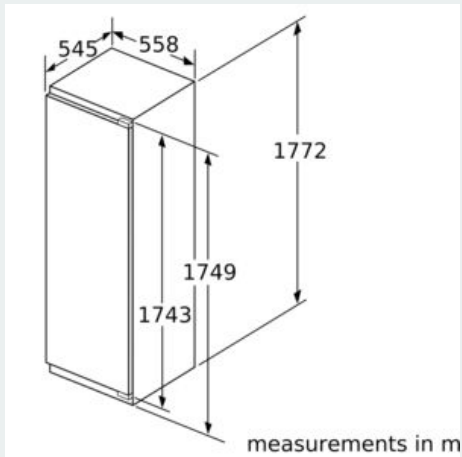
- Acoustic open door warning system

Dimension and installation

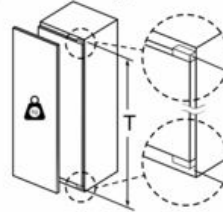
- Climate class SN-T (suitable for ambient temperatures between 10 to 43°C)
- Connection value 90 W
- Dimensions: 177.2 cm H x 55.8 cm W x 54.5 cm D
- Niche Dimensions: 177.5 cm H x 56 cm W x 55 cm D

iQ700, Built-in fridge, 177.5 x 56 cm
KI81FHD40

Dimensioned drawings



Maximal permissible weight of the unit fronts

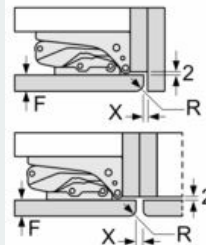


Fitted kitchen unit doors that exceed the permissible weight may cause damage and result in functional impairment of the hinges.

T: Includes height of appliance door Hinges in mm:	undamped hinge, Door in kg:	damped hinge, Door in kg:
1500-1750	22	22

measurements in mm

Recommended gap dimensions for flat hinges



F	R	X
16-19	0-3	2.5
20	0-1	3
	2-3	2.5
21	0-1	3
	2-3	2.5
22	0	4
	1	3.5
	2-3	3

The gap dimensions recommended in the table must be adhered to in order to ensure that appliance doors do not collide with anything when they are opened, and to avoid causing damage to kitchen units.