

N 50, BUILT-IN FRIDGE-FREEZER WITH FREEZER AT BOTTOM, 193.5 X 55.8 CM, FLAT HINGE KI7962FDOG



The spacious built-in fridge freezer has an extra shelf, additional door bins, plus more cooling volume including Fresh Safe 1 near <math>0^{\circ}\text{C}</math> drawer for fruit and vegetables, No Frost and flexible storage solutions.

- ✓ Extra Space – More capacity for flexible cooling.
- ✓ Fresh Safe 1 <math>0^{\circ}\text{C}</math> – Ideal storage for fruit and veg, fish and meat.
- ✓ Eco Air Flow – Even air circulation for constant temperatures and fast cooling.
- ✓ Bottle Flex Shelf – A bottle holder and shelf in one.
- ✓ No Frost – No more defrosting your freezer.

Energy Efficiency Class: ..... D  
 Average annual energy consumption in kilowatt hour per year (kWh/a): ..... 184 kWh/a  
 Sum of volume of frozen compartments: ..... 75 l  
 Sum of volume of chill compartments: ..... 215 l  
 Airborne acoustical noise emissions : ..... 34 dB(A) re 1pW  
 Airborne acoustical noise emission class: ..... B  
 Built-in / Free-standing: ..... Built-in  
 Door panel options: ..... Not possible  
 Height: ..... 1935 mm  
 Width of the appliance: ..... 558 mm  
 Depth: ..... 548 mm  
 Required niche size for installation (HxWxD): ..... 1940 x 560 x 550 mm  
 Net weight: ..... 60.2 kg  
 EAN code: ..... 4242004287247  
 Fuse protection: ..... 10 A  
 Door hinge: ..... Right reversible  
 Voltage: ..... 220-240 V  
 Frequency: ..... 50-60 Hz  
 Length electrical supply cord: ..... 230.0 cm  
 Number of compressors: ..... 1  
 Number of independent cooling systems: ..... 2  
 Interior ventilator: ..... No  
 Reversible Door Hinge: ..... Yes  
 Number of Adjustable Shelves in fridge compartment: ..... 3  
 Shelves for Bottles: ..... No  
 Frost free system: ..... Freezer  
 Installation typology: ..... Full-integrated

KSGGOMZO Butter box



*N 50, BUILT-IN FRIDGE-FREEZER WITH FREEZER  
AT BOTTOM, 193.5 X 55.8 CM, FLAT HINGE  
KI7962FDOG*

- KI7962FDOG
- noFrost freezer, Built-in fridge/freezer
- Fixed hinge, softClosing door: No

**Performance and Consumption**

- EU19\_EEK\_D: D
- Total Volume : 290 l
- Annual Energy Consumption: 184 kWh/a
- Noise Level : 34 dB , EU19\_Noise emission class\_D: B

**Functions**

- Bright interior LED fridge light in fridge section
- Built-in fridge/freezer

**Design features**

- NO\_FROST\_NEU\_BL, never have to defrost ever again
- EU19\_Fast freezer facility\_D
- Twin LED electronic control panel
- optical and acoustical
- Automatic defrost fridge

**Design features**

- Net Fridge Volume : 215 l
- 4 safety glass shelves in fridge compartment of which 3 are height adjustable
- BottleFlex Shelf
- Door shelves in fridge door: 1 large and 3 small.

**Freshness System**

- 1 FreshSafe drawer with humidity control retains freshness for longer.

**Food freshness system**

- Net Freezer Volume : 75 l
- Freezing capacity 24h : 8 kg
- Temperature rise time : EU19\_Temperature rise time\_D: 11 H
- 3 freezer drawers

**Dimension and installation**

- Dimensions: 193.5 cm H x 55.8 cm W x 54.8 cm D
- Niche Dimensions: 194 cm H x 56 cm W x 55 cm D

**Key features - Fridge section**

- Right hinged door, reversible
- Height adjustable front feet
- Length of power cord:230 cm
- Climate Class: SN-ST
- 220 - 240 V

**Key features - Freezer section**

- 1 x ice cube tray

**Country Specific Options**

- Based on the results of the standard 24-hour test. Actual consumption depends on usage/position of the appliance.

**Design features**

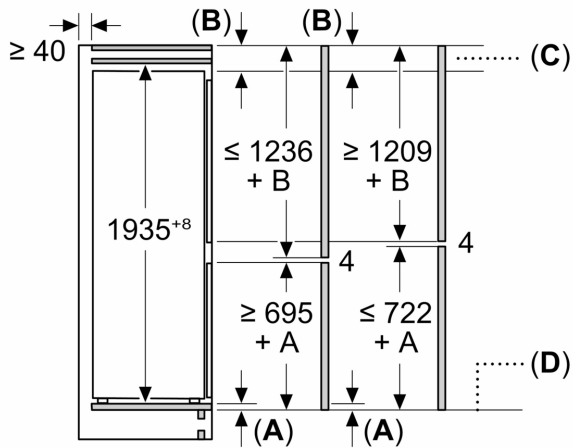
**Dimension and installation**

**Additional features**

- none
- Super Cooling: automatic deactivation

N 50, BUILT-IN FRIDGE-FREEZER WITH FREEZER AT BOTTOM, 193.5 X 55.8 CM, FLAT HINGE  
KI7962FDOG

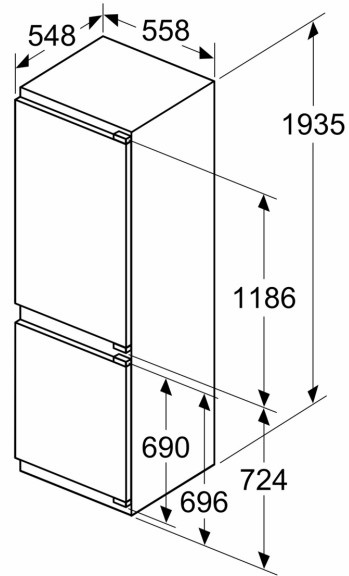
Measurements in mm



C: Front panel overhang

D: Lower edge of front panel

Measurements in mm



Measurements in mm

