

iQ500, Built-in fridge, 140 x 56 cm KI51RAF30G



A++



A built-in fridge with hyperFresh Boxes to keep food fresher for longer

- ✓ The hyperFresh plus Box with adjustable humidity keeps fruit and vegetables fresh for longer.
- ✓ LED light – Ample, even lighting helps you check what’s in your fridge faster.
- ✓ The easyAccess glass shelves make loading easier and give you a better view of your food items.
- ✓ The superCooling button reduces the temperature for a set time, to quickly cool down fresh food items.
- ✓ Arrange the split varioShelf front-to-back or place underneath, depending on your space needs.

Features

Technical Data

Construction type : Built-in
 Door panel options : Not possible
 Height : 1397 mm
 Width of the appliance : 558 mm
 Depth of the product : 545 mm
 Required niche size for installation (HxWxD) : 1400 x 560 x 550 mm
 Net weight : 51.625 kg
 Connection rating : 90 W
 Fuse protection : 13 A
 Door hinge : Right reversible
 Voltage : 220-240 V
 Frequency : 50 Hz
 Approval certificates : CE, VDE
 Length of electrical supply cord : 230 cm
 Number of compressors : 1
 Number of independent cooling systems : 1
 Interior ventilator : No
 Reversible Door Hinge : Yes
 Number of Adjustable Shelves in fridge compartment (Stck) : 5
 Shelves for Bottles : No
 EAN code : 4242003742983
 Brand : Siemens
 Product name / Commercial code : KI51RAF30G
 Product category : Refrigerator
 Energy consumption annual - NEW (2010/30/EC) : 109.00 kWh/annum
 Refrigerator Net capacity - NEW (2010/30/EC) : 247 l
 Freezer Net capacity - NEW (2010/30/EC) : 0 l
 Frost free system : No
 Freezing capacity) - NEW (2010/30/EC) : 0 kg/24h
 Noise level : 33 dB(A) re 1 pW
 Climate class : SN-T
 Installation type : Full-integrated

Included accessories

2 x egg tray



iQ500, Built-in fridge, 140 x 56 cm KI51RAF30G

Features

Performance and Consumption

- Energy Efficiency Class: A++
- Energy consumption: 109 kWh kWh/yr.
- Total net capacity: 247 l litres
- Noise level dB(A) re 1 pW: 33

Design features

- Right hinged door, door reversible
- Fixed hinge
- Bright interior LED fridge light
-
- Electronic LED display
- 1 compressor/1 cooling circuit

Food freshness system

- VitaControl - constant temperature by intelligent sensor technology - Constant temperature control by intelligent sensor technology
- 1 hyperFresh plus box with adjustable humidity - keeps fruit and vegetables fresh for longer.
-
- 1 hyperFresh plus box with adjustable humidity - keeps fruit and vegetables fresh for longer.
-

Key features - Fridge section

- 6 removable safety glass shelves of which 5 are easy pull out
- 5 door trays, including 1x dairy compartment
- Interior design with metal applications
- 1 removable door storage compartments.
- Bright interior LED fridge light

Functions

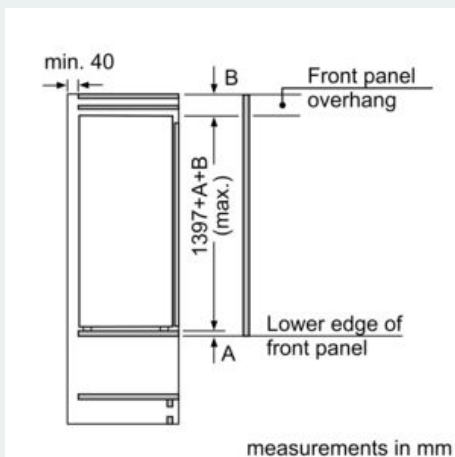
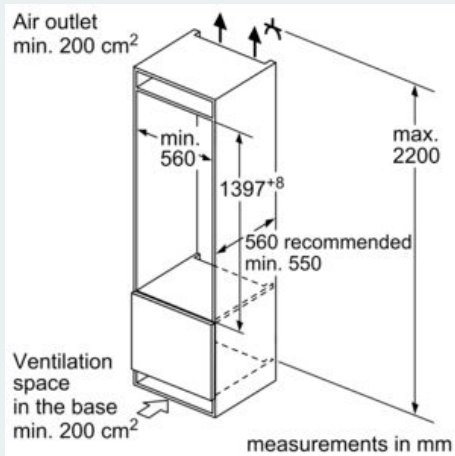
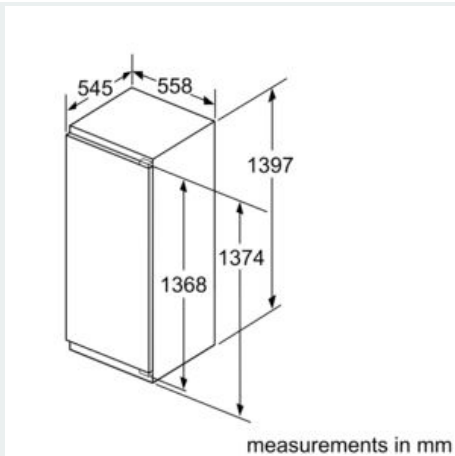
- Acoustic open door warning system

Dimension and installation

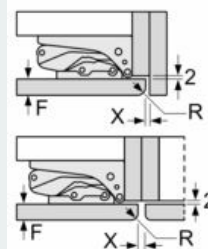
- Climate class SN-T (suitable for ambient temperatures between 10 to 43°C)
- Connection value 90 W
- Dimensions: 139.7 cm H x 55.8 cm W x 54.5 cm D
- Niche Dimensions: 140 cm H x 56 cm W x 55 cm D

iQ500, Built-in fridge, 140 x 56 cm KI51RAF30G

Dimensioned drawings



measurements in mm Recommended gap dimensions for flat hinges



| | F | R | X |
|-------|-----|-----|---|
| 16-19 | 0-3 | 2.5 | |
| 20 | 0-1 | 3 | |
| | 2-3 | 2.5 | |
| 21 | 0-1 | 3 | |
| | 2-3 | 2.5 | |
| 22 | 0 | 4 | |
| | 1 | 3.5 | |
| | 2-3 | 3 | |

The gap dimensions recommended in the table must be adhered to in order to ensure that appliance doors do not collide with anything when they are opened, and to avoid causing damage to kitchen units.