

**iQ500, Built-in fridge, 122.5 x 56 cm, flat hinge
KI41RAFF0**



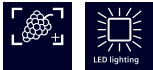
coolEfficiency built-in fridge with hyperFresh plus Box to keep fruit and vegetables fresh up to 2 times longer and flexible varioShelf.

- ✓ The hyperFresh plus Box with adjustable humidity keeps fruit and vegetables fresh for longer.
- ✓ LED light – Even lighting throughout the inside of your fridge to keep everything in view.
- ✓ superCooling – Reduces the temperature for a set time, to quickly cool down fresh food items.
- ✓ One shelf with two separate parts to fit varying storage needs – varioShelf.
- ✓ safetyGlass shelves – Extra strong and easy to clean.

Features

Technical Data

Energy Efficiency Class: F
 Average annual energy consumption in kilowatt hour per year (kWh/a): 123 kWh/annum
 Sum of volume of frozen compartments: 0 l
 Sum of volume of chill compartments: 211 l
 Airborne acoustical noise emissions : 33 dB(A) re 1 pW
 Airborne acoustical noise emission class: B
 Design: Built-in
 Door panel options: Possible but accessory
 Height: 1221 mm
 Width of the appliance: 558 mm
 Dimensions: 545 mm
 Min. required niche size for installation (HxWxD): 1225.0 x 560 x 550 mm
 Weight: 49.0 kg
 Connection Rating: 90 W
 Fuse protection: 10 A
 Door opening: Right reversible
 Nominal power: 220-240 V
 Frequency: 50 Hz
 Length of electrical supply cord: 230.0 cm
 Number of compressors: 1
 Number of independent cooling systems: 1
 Interior ventilator: No
 Reversible Door Hinge: Yes
 Number of Adjustable Shelves in fridge compartment (Stck): 5
 Shelves for Bottles: No
 EAN code: 4242003851470
 Brand: Siemens
 Product name / Commercial code: KI41RAFF0
 Product category: Upright fridge
 Frost free system: No
 Installation type: Fully integrated
 Included accessories: 2 x egg tray



Included accessories	
2 x egg tray	
Optional accessories	
KF40ZAX0	Door panel with decor frame
KF40ZSX0	Stainless steel door panel
KS10Z020	Bottle Rack
KSGGZM00	Butter box



iQ500, Built-in fridge, 122.5 x 56 cm, flat hinge KI41RAFFO

Features

Functions

- Bright interior LED fridge light

Design features

- Electronic LED display
- VitaControl - constant temperature by intelligent sensor technology - Constant temperature control by intelligent sensor technology
- Automatic defrost in fridge section
- Super Cooling: automatic deactivation
- Acoustic open door warning system

Design features

- 6 safety glass shelves (5 height adjustable)
- 4 door trays, including 1x dairy compartment

Freshness System

- 1 hyperFresh plus box with adjustable humidity - keeps fruit and vegetables fresh for longer.

Dimension and installation

- Dimensions: 122.1 cm H x 55.8 cm W x 54.5 cm D
- Niche Dimensions: 122.5 cm H x 56 cm W x 55 cm D

Key features - Fridge section

- Right hinged door, door reversible
- Connection value 90 W
- 220 - 240 V

Key features - Freezer section

- KI41RAFFO

Country Specific Options

- Based on the results of the standard 24-hour test. Actual consumption depends on usage/position of the appliance.

Design features

Dimension and installation

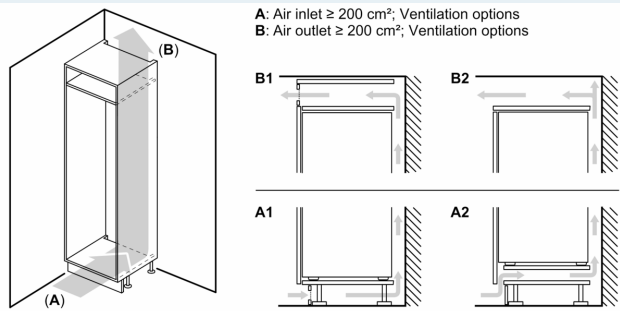
Additional features

Performance and Consumption

- EU19_EEK_D: F
- Total Volume : 211 l
- Net Fridge Volume : 211 l
- Net Freezer Volume : 0 l
- Annual Energy Consumption: 123 kWh/a
- Climate Class: SN-ST
- Noise Level : 33 dB , EU19_Noise emission class_D: B

**iQ500, Built-in fridge, 122.5 x 56 cm, flat hinge
KI41RAFFO**

Dimensioned drawings

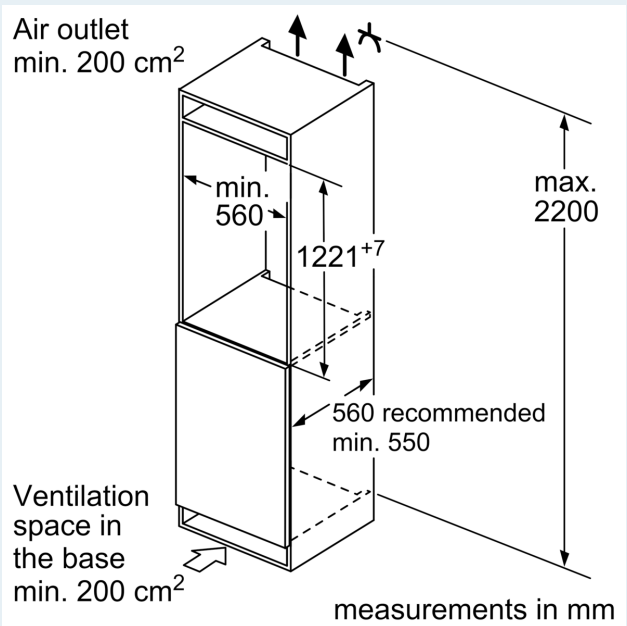
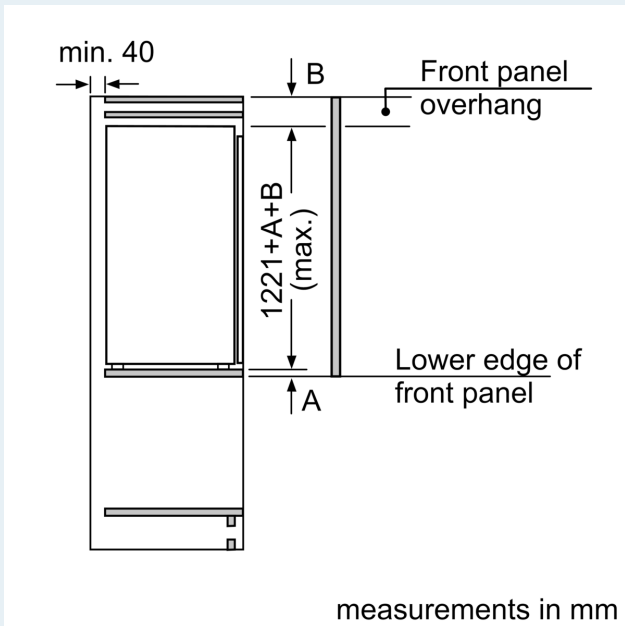


Maximal permissible weight of the unit fronts

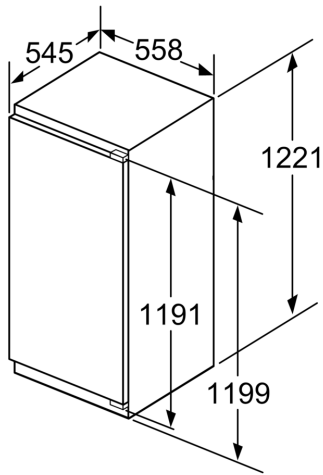
Fitted unit fronts that exceed the permissible weight may cause damage and result in functional impairment of the hinges

Δ Weight
A: Appliance door height including hinges in mm
B: Undamped hinge, unit front in kg
C: Damped hinge, unit front in kg
D: Additional possible load in kg with heavy load kit

A	B	C	D
1500-1750	22	22	B+5 / C+5
720-1400	19	19	
A1	15	19	
A2	15	19	



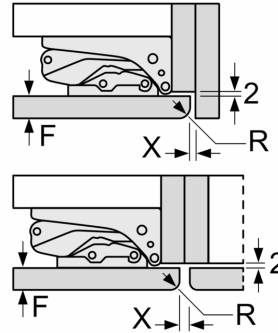
Dimensioned drawings



measurements in mm

measurements in mm

Recommended gap dimensions for flat hinges



F	R	X
16-19	0-3	2.5
20	0-1	3
	2-3	2.5
21	0-1	3
	2-3	2.5
22	0	4
	1	3.5
	2-3	3

The gap dimensions recommended in the table must be adhered to in order to ensure that appliance doors do not collide with anything when they are opened, and to avoid causing damage to kitchen units.