

## iQ500, Built-in fridge, 122.5 x 56 cm KI41RAD30



A++



coolEfficiency built-in fridge with hyperFresh plus Box to keep fruit and vegetables fresh up to 2 times longer and flexible varioShelf.

- ✓ The hyperFresh plus Box with adjustable humidity keeps fruit and vegetables fresh for longer.
- ✓ LED light – Ample, even lighting helps you check what's in your fridge faster.
- ✓ SoftClosing Door: door closes automatically and softly when it is open at a 20° angle or less.
- ✓ The easyAccess glass shelves make loading easier and give you a better view of your food items.
- ✓ The superCooling button reduces the temperature for a set time, to quickly cool down fresh food items.

### Features

#### Technical Data

Construction type : Built-in  
 Door panel options : Possible but accessory  
 Height : 1221 mm  
 Width of the appliance : 558 mm  
 Depth of the product : 545 mm  
 Required niche size for installation (HxWxD) : 1225.0 x 560 x 550 mm  
 Net weight : 49.158 kg  
 Connection rating : 90 W  
 Fuse protection : 10 A  
 Door hinge : Right reversible  
 Voltage : 220-240 V  
 Frequency : 50 Hz  
 Approval certificates : CE, VDE  
 Length of electrical supply cord : 230 cm  
 Number of compressors : 1  
 Number of independent cooling systems : 1  
 Interior ventilator : No  
 Reversible Door Hinge : Yes  
 Number of Adjustable Shelves in fridge compartment (Stck) : 5  
 Shelves for Bottles : No  
 EAN code : 4242003622254  
 Brand : Siemens  
 Product name / Commercial code : KI41RAD30  
 Product category : Refrigerator  
 Energy consumption annual - NEW (2010/30/EC) : 105.00 kWh/annum  
 Refrigerator Net capacity - NEW (2010/30/EC) : 211 l  
 Freezer Net capacity - NEW (2010/30/EC) : 0 l  
 Frost free system : No  
 Freezing capacity) - NEW (2010/30/EC) : 0 kg/24h  
 Noise level : 33 dB(A) re 1 pW  
 Climate class : SN-T  
 Installation type : Full-integrated

### Included accessories

2 x egg tray



## iQ500, Built-in fridge, 122.5 x 56 cm KI41RAD30

### Features

#### Performance and Consumption

- Energy Efficiency Class: A++
- Energy Efficiency Class: A++ kWh/yr: 0.285 kWh
- Total net capacity: 211 l litres
- Noise level dB(A) re 1 pW: 33

#### Design features

- softClosing door system - dampens door movement, for smooth and effortless closure
- Right hinged door, door reversible
- Fixed hinge
- Bright interior LED fridge light
- 
- Electronic LED display
- 1 compressor/1 cooling circuit

#### Food freshness system

- VitaControl - constant temperature by intelligent sensor technology - Constant temperature control by intelligent sensor technology
- 1 hyperFresh plus box with adjustable humidity - keeps fruit and vegetables fresh for longer.
- 

#### Key features - Fridge section

- 6 removable safety glass shelves of which 5 are easy pull out
- 4 door trays, including 1x dairy compartment
- Interior design with metal applications
- 1 hyperFresh plus box with adjustable humidity - keeps fruit and vegetables fresh for longer.
- 
- 1 removable door storage compartments.
- Bright interior LED fridge light

#### Functions

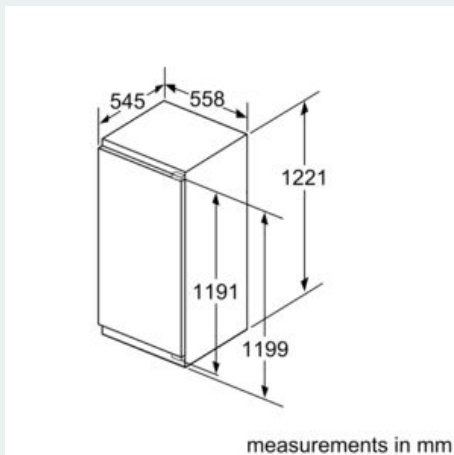
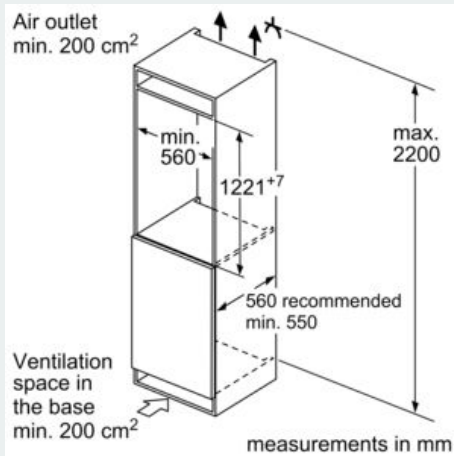
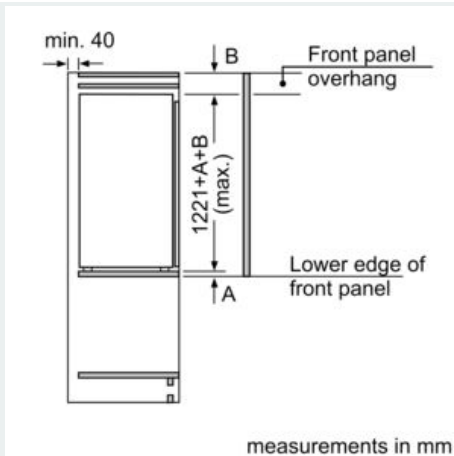
- Acoustic open door warning system

#### Dimension and installation

- Climate class SN-T (suitable for ambient temperatures between 10 to 43°C)
- Connection value 90 W
- Dimensions: 122.1 cm H x 55.8 cm W x 54.5 cm D
- Niche Dimensions: 122.5 cm H x 56 cm W x 55 cm D

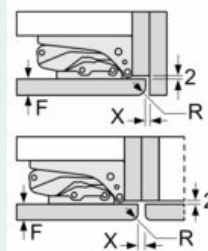
## iQ500, Built-in fridge, 122.5 x 56 cm KI41RAD30

### Dimensioned drawings



### measurements in mm

#### Recommended gap dimensions for flat hinges



F	R	X
16-19	0-3	2.5
20	0-1	3
	2-3	2.5
21	0-1	3
	2-3	2.5
22	0	4
	1	3.5
	2-3	3

The gap dimensions recommended in the table must be adhered to in order to ensure that appliance doors do not collide with anything when they are opened, and to avoid causing damage to kitchen units.