

**iQ300, Built-in fridge, 88 x 56 cm,  
flat hinge  
KI21RVFE0**



Built-in refrigerator with bright LED Light, especially stable door trays and autoAirflow for optimal food storage conditions.

- ✓ LED light – Even lighting throughout the inside of your fridge to keep everything in view.
- ✓ superCooling: faster cooling for fresh food.
- ✓ autoAirflow – Ideal air circulation for even cooling at all levels, maintaining longer freshness.
- ✓ safetyGlass shelves – Extra strong and easy to clean.

Energy Efficiency Class: ..... E  
 Average annual energy consumption in kilowatt hour per year (kWh/a): ..... 92 kWh/annum  
 Sum of volume of frozen compartments: ..... 0 l  
 Sum of volume of chill compartments: ..... 136 l  
 Airborne acoustical noise emissions : ..... 35 dB(A) re 1 pW  
 Airborne acoustical noise emission class: ..... B  
 Built-in / Free-standing: ..... Built-in  
 Door panel options: ..... Possible but accessory  
 Height: ..... 874 mm  
 Width of the appliance: ..... 541 mm  
 Dimensions: ..... 548 mm  
 Min. required niche size for installation (HxWxD): .. 880 x 560 x 550 mm  
 Weight: ..... 30.1 kg  
 Fuse protection: ..... 10 A  
 Door opening: ..... Right reversible  
 Nominal power: ..... 220-240 V  
 Frequency: ..... 50 Hz  
 Length electrical supply cord: ..... 230.0 cm  
 Number of compressors: ..... 1  
 Number of independent cooling systems: ..... 1  
 Interior ventilator: ..... No  
 Reversible Door Hinge: ..... Yes  
 Number of Adjustable Shelves in fridge compartment: ..... 2  
 Shelves for Bottles: ..... Yes  
 EAN code: ..... 4242003904343  
 Brand: ..... Siemens  
 Product name / Commercial code: ..... KI21RVFE0  
 Product category: ..... Upright fridge  
 Frost free system: ..... No  
 Installation type: ..... Fully integrated  
 Included accessories: ..... 3 x egg tray

3 x egg tray	
KF20ZAX0	Door panel with decor frame
KF20ZSX0	Stainless steel door panel
KSGGZM00	Butter box



## iQ300, Built-in fridge, 88 x 56 cm, flat hinge KI21RVFEO

- KI21RVFEO
- Fixed hinge, softClosing door: No
- Easy Installation

### Performance and Consumption

- EU19\_EEK\_D: E
- Total Volume : 136 l
- Net Fridge Volume : 136 l
- Net Freezer Volume : 0 l
- Annual Energy Consumption: 92 kWh/a
- Climate Class: SN-ST
- EU19\_Fast freezer facility\_D
- Noise Level : 35 dB , EU19\_Noise emission class\_D: B

### Functions

- Bright interior LED fridge light

### Design features

- Electronic control (LED chain)
- Automatic defrost in fridge section
- Super Cooling: automatic deactivation
- Acoustic open door warning system

### Design features

- 3 safety glass shelves of which 2 are height adjustable
- 1 removable door storage compartments.
- 2 door bins
- Door shelves in fridge door: 1 large and 1 small.

### Freshness System

- 1 vegetable/salad container

### Dimension and installation

- Dimensions: 87.4 cm H x 54.1 cm W x 54.8 cm D
- Niche Dimensions: 88 cm H x 56 cm W x 55 cm D

### Key features - Fridge section

- Right hinged door, door reversible
- 220 - 240 V

### Key features - Freezer section

- 3 x egg tray
- bottle holder in door tray

### Country Specific Options

- Based on the results of the standard 24-hour test. Actual consumption depends on usage/position of the appliance.

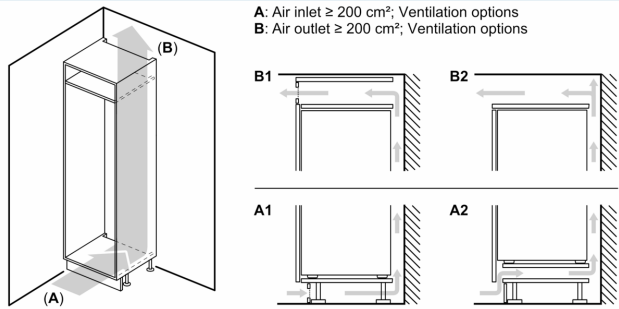
### Design features

### Dimension and installation

### Additional features

- Wave form bottle holder
- Length of power cord:230 cm

iQ300, Built-in fridge, 88 x 56 cm,  
flat hinge  
KI21RVFE0

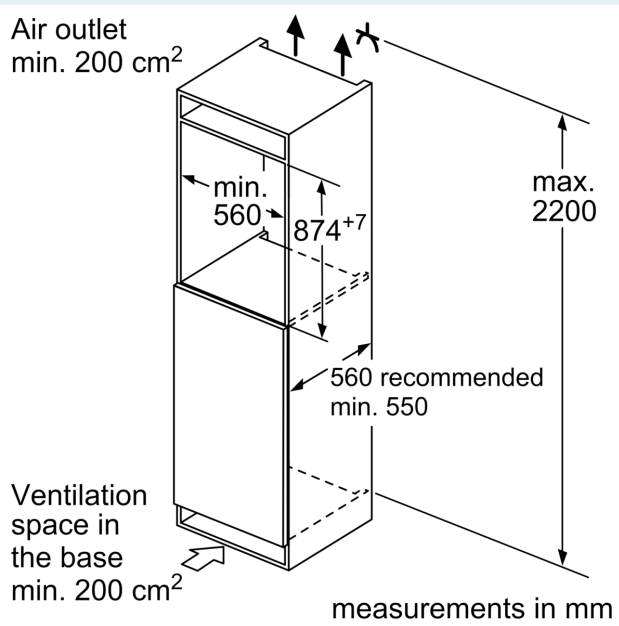
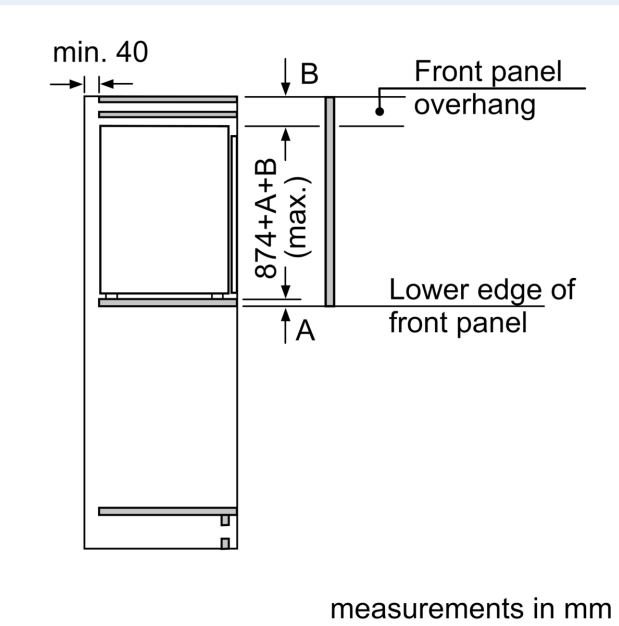


**Maximal permissible weight of the unit fronts**

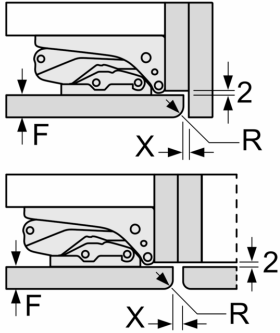
Fitted unit fronts that exceed the permissible weight may cause damage and result in functional impairment of the hinges

**Δ** Weight  
**A:** Appliance door height including hinges in mm  
**B:** Undamped hinge, unit front in kg  
**C:** Damped hinge, unit front in kg  
**D:** Additional possible load in kg with heavy load kit

A	B	C	D
1500-1750	22	22	B+5 / C+5
720-1400	19	19	
A1	15	19	
A2	15	19	



measurements in mm  
 Recommended gap dimensions for flat hinges



<b>F</b>	<b>R</b>	<b>X</b>
16-19	0-3	2.5
20	0-1	3
	2-3	2.5
21	0-1	3
	2-3	2.5
22	0	4
	1	3.5
	2-3	3

The gap dimensions recommended in the table must be adhered to in order to ensure that appliance doors do not collide with anything when they are opened, and to avoid causing damage to kitchen units.