

iQ100, Built-in fridge, 88 x 56 cm, sliding hinge KI21RNSE0



Built-in refrigerator with bright LED Light and autoAirflow for optimal food storage conditions.

- ✓ superCooling: faster cooling for fresh food.
- ✓ safetyGlass shelves – Extra strong and easy to clean.

Energy Efficiency Class: E
 Average annual energy consumption in kilowatt hour per year (kWh/a): 92 kWh/annum
 Sum of volume of frozen compartments: 0 l
 Sum of volume of chill compartments: 136 l
 Airborne acoustical noise emissions : 35 dB(A) re 1 pW
 Airborne acoustical noise emission class: B
 Built-in / Free-standing: Built-in
 Door panel options: Not possible
 Height: 874 mm
 Width of the appliance: 541 mm
 Dimensions: 548 mm
 Min. required niche size for installation (HxWxD): .. 880 x 560 x 550 mm
 Weight: 28.9 kg
 Fuse protection: 10 A
 Door opening: Right reversible
 Nominal power: 220-240 V
 Frequency: 50 Hz
 Length electrical supply cord: 230.0 cm
 Number of compressors: 1
 Number of independent cooling systems: 1
 Interior ventilator: No
 Reversible Door Hinge: Yes
 Number of Adjustable Shelves in fridge compartment: 2
 Shelves for Bottles: No
 EAN code: 4242003916742
 Brand: Siemens
 Product name / Commercial code: KI21RNSE0
 Product category: Upright fridge
 Frost free system: No
 Installation type: Fully integrated
 Included accessories: 3 x egg tray



3 x egg tray

KS6BZR00 Bottle Rack
 KSGGZM00 Butter box

iQ100, Built-in fridge, 88 x 56 cm, sliding hinge KI21RNSE0

- KI21RNSE0

Performance and Consumption

- EU19_EEK_D: E
- Total Volume : 136 l
- Net Fridge Volume : 136 l
- Net Freezer Volume : 0 l
- Annual Energy Consumption: 92 kWh/a
- Climate Class: SN-ST
- EU19_Fast freezer facility_D

Functions

- Bright interior LED fridge light
- Sliding hinge - Easy installation, softClosing door: No

Design features

- Easy Installation
- Electronic control (LED chain)
- Automatic defrost in fridge section
- Super Cooling: automatic deactivation
- Acoustic open door warning system
- 3 safety glass shelves (2 height adjustable)

Freshness System

- 1 vegetable/salad container

Key features - Fridge section

- 3 x egg tray
- bottle holder in door tray

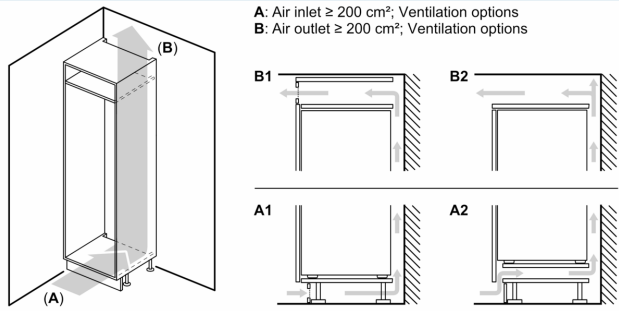
Dimension and installation

- Dimensions: 87.4 cm H x 54.1 cm W x 54.8 cm D
- Niche Dimensions: 88 cm H x 56 cm W x 55 cm D
- Right hinged door, door reversible
- 220 - 240 V

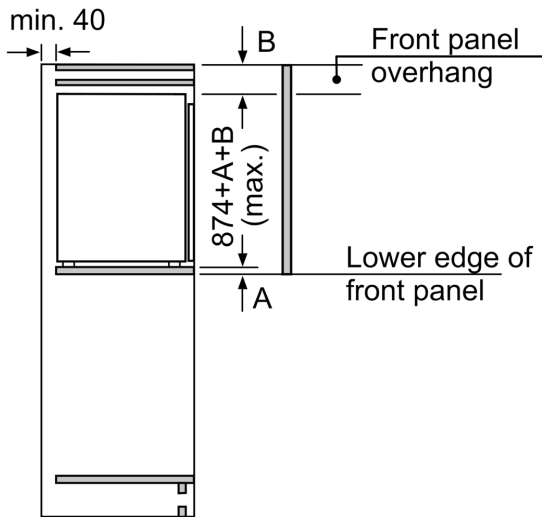
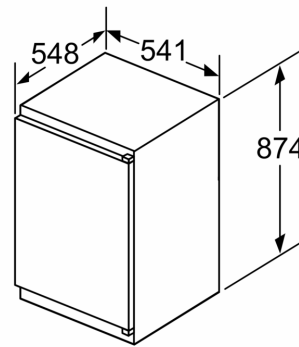
Country Specific Options

- Based on the results of the standard 24-hour test. Actual consumption depends on usage/position of the appliance.

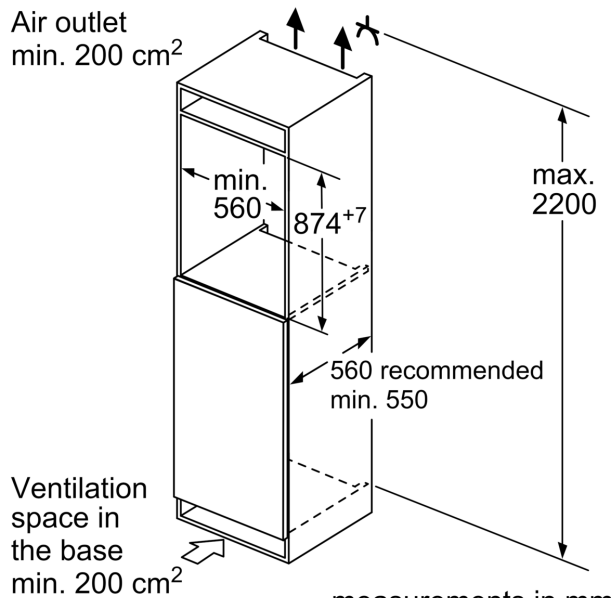
iQ100, Built-in fridge, 88 x 56 cm,
sliding hinge
KI21RNSE0



Measurements in mm



measurements in mm



measurements in mm