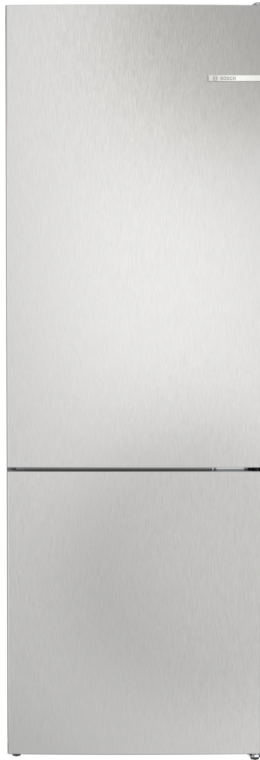


**Series 4, Free-standing fridge-freezer with freezer at bottom, 203 x 70 cm, Stainless steel look, Total No Frost KGN492LDFG**



**No Frost bottomfreezer : no need to defrost your freezer**

- **VitaFresh XXL <0°C>**: keeps food fresh for longer in extra-large climate-controlled fridge drawers.
- **No Frost**: never defrost again, thanks to perfect protection from ice formation - that saves time and effort.
- **Perfect Fit**: place your fridge right next to walls or other appliances to save space.
- **Quiet appliances**: enjoy a calm and relaxing home.
- **Multi Airflow System**: even air distribution for longer freshness.

---

Energy Efficiency Class: .....	D
Average annual energy consumption in kilowatt hour per year (kWh/a): .....	223 kWh/annum
Sum of volume of frozen compartments: .....	129 l
Sum of volume of chill compartments: .....	311 l
Airborne acoustical noise emissions : .....	35 dB(A) re 1pW
Airborne acoustical noise emission class: .....	B
Built-in / Free-standing: .....	Freestanding
Door panel options: .....	Not possible
Height: .....	2030 mm
Width of the appliance: .....	700 mm
Depth: .....	667 mm
Net weight: .....	78.2 kg
EAN code: .....	4242005348596
Fuse protection: .....	13 A
Door hinge: .....	Right reversible
Voltage: .....	220-240 V
Frequency: .....	50 Hz
Length electrical supply cord: .....	231.0 cm
Number of compressors: .....	1
Number of independent cooling systems: .....	2
Interior ventilator: .....	No
Reversible Door Hinge: .....	Yes
Number of Adjustable Shelves in fridge compartment: .....	3
Shelves for Bottles: .....	Yes
Frost free system: .....	Fridge and freezer
Installation typology: .....	Free-standing

---



## Series 4, Free-standing fridge-freezer with freezer at bottom, 203 x 70 cm, Stainless steel look, Total No Frost KGN492LDFG

### No Frost bottomfreezer : no need to defrost your freezer

- Twin No Frost (RC + FC), Fridge freezer
- Standard door Stainless steel look

#### Performance and Consumption

- EU19\_EEK\_D: D
- Total Volume : 440 l
- Net Fridge Volume : 311 l
- Net Freezer Volume : 129 l
- Freezing capacity 24h : 11 kg
- Annual Energy Consumption: 223 kWh/a
- Climate Class: SN-T
- EU19\_Fast freezer facility\_D
- Noise Level : 35 dB , EU19\_Noise emission class\_D: B
- Temperature rise time : EU19\_Temperature rise time\_D: 18 H

#### Functions

- White glossy back wall
- Stainless steel look doors and Pearl grey (VZF 07127) side panels
- Integrated vertical handle
- Bright interior LED fridge light in fridge section

#### Design features

- NO\_FROST\_NEU\_BL, never have to defrost ever again
- Separate, electronic temperature control with LED display
- Two separate cooling circuits allow independent temperature control and prevents the transference of humidity between the fridge and freezer cavity
- Super Cooling: automatic deactivation
- Optical and accoustical
- Freezer malfunction warning signal: optical and acoustical warning system

#### Design features

- MultiAirflow system - improves circulation of air around the fridge
- 5 safety glass shelves of which 3 are height adjustable
- Metal bottle rack
- Door shelves in fridge door: 1 large and 3 small.

#### Freshness System

- 1 VitaFresh drawer - Fish and meat stay fresh for longer
- 1 VitaFresh drawer with humidity control - Fruits and vegetables retain vitamins and stay fresh for longer

#### Food freshness system

- Net freezer capacity: 127 litres
- Freezing capacity in 24 hours: 9.5 kg
- Maximum freezer storage time in power failure: 18 hours
- 3 freezer drawers

#### Dimension and installation

- Dimensions: 203 cm H x 70 cm W x 66.7 cm D

#### Key features - Fridge section

- Right hinged door, door reversible
- Height adjustable front feet
- 220 - 240 V
- Length of power cord:231 cm

#### Key features - Freezer section

- 1 x ice cube tray

#### Country Specific Options

- Based on the results of the standard 24-hour test. Actual consumption depends on usage/position of the appliance.

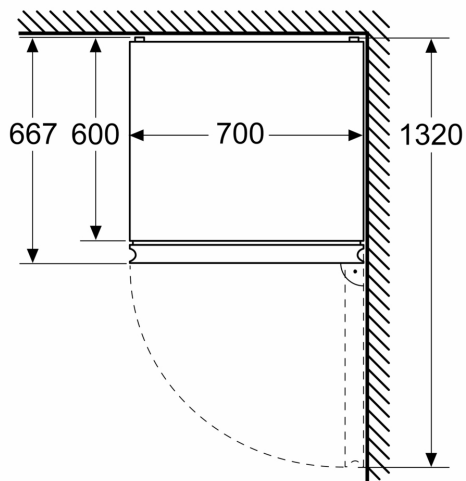
#### Design features

#### Dimension and installation

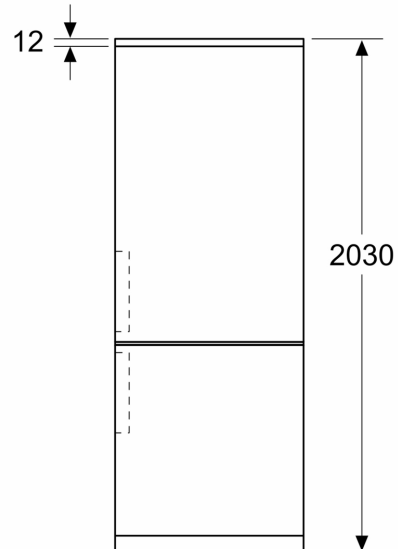
#### Additional features

**Series 4, Free-standing fridge-freezer  
with freezer at bottom, 203 x 70 cm,  
Stainless steel look, Total No Frost  
KGN492LDFG**

Measurements in mm



Measurements in mm



Measurements in mm

