

**Series 6, Free-standing fridge-freezer with freezer at bottom, 203 x 60 cm, White**  
**KG39AWCTG**



**No Frost bottomfreezer : no need to defrost your freezer**

- **Flex Interior:** adjust the inside of your fridge to your needs with Flex Trays and Flex Shelf.
- **Metal Backwall with Multi Airflow:** evenly circulates cool, fresh air to maintain consistent temperatures.
- **Perfect Fit:** place your fridge right next to walls or other appliances to save space.
- **VitaFresh XXL <0°C>:** keeps food fresh for longer in extra-large climate-controlled fridge drawers.
- **LED lighting:** all your items in perfect view.

---

Energy Efficiency Class: .....	C
Average annual energy consumption in kilowatt hour per year (kWh/a): .....	162 kWh/annum
Sum of volume of frozen compartments: .....	103 l
Sum of volume of chill compartments: .....	260 l
Airborne acoustical noise emissions : .....	35 dB(A) re 1pW
Airborne acoustical noise emission class: .....	B
Built-in / Free-standing: .....	Freestanding
Door panel options: .....	Not possible
Height: .....	2030 mm
Width of the appliance: .....	600 mm
Depth: .....	665 mm
Net weight: .....	73.7 kg
Fuse protection: .....	13 A
Door hinge: .....	Right reversible
Voltage: .....	220-240 V
Frequency: .....	50 Hz
Length electrical supply cord: .....	226.0 cm
Number of compressors: .....	1
Number of independent cooling systems: .....	2
Interior ventilator: .....	No
Reversible Door Hinge: .....	Yes
Number of Adjustable Shelves in fridge compartment: .....	3
Shelves for Bottles: .....	Yes
Frost free system: .....	Fridge and freezer
Installation typology: .....	Free-standing

---



## **Series 6, Free-standing fridge-freezer with freezer at bottom, 203 x 60 cm, White KGN39AWCTG**

### **No Frost bottomfreezer : no need to defrost your freezer**

- Net freezer capacity: 103 litres
- Freezing capacity in 24 hours: 10 kg
- Maximum freezer storage time in power failure: 15 hours
- 3 x egg tray, 1 x ice cube tray

#### **Country Specific Options**

- Based on the results of the standard 24-hour test. Actual consumption depends on usage/position of the appliance.

---

#### **Performance and Consumption**

- EU19\_EEK\_D: C
- Total Volume : 363 l
- Net Fridge Volume : 260 l
- Net Freezer Volume : 103 l
- Freezing capacity 24h : 10 kg
- Annual Energy Consumption: 162 kWh/a
- Climate Class: SN-T
- EU19\_Fast freezer facility\_D
- Noise Level : 35 dB , EU19\_Noise emission class\_D: B
- Temperature rise time : EU19\_Temperature rise time\_D: 15 H

#### **Design features**

- Standard door White
- Vertical door handle
- Bright interior LED fridge light in fridge section

#### **Functions**

- NO\_FROST\_NEU\_BL, never have to defrost ever again
- Separate, electronic temperature control with LED display
- Optical and accoustical
- Freezer malfunction warning signal: optical and accoustical warning system

#### **Design features**

- MultiAirflow system - improves circulation of air around the fridge

#### **Freshness System**

- Two separate cooling circuits allow independent temperature control and prevents the transference of humidity between the fridge and freezer cavity
- 1 VitaFresh drawer - Fish and meat stay fresh for longer
- 1 VitaFresh drawer with humidity control - Fruits and vegetables retain vitamins and stay fresh for longer

#### **Dimension and installation**

- Right hinged door, door reversible
- Height adjustable front feet
- 220 - 240 V
- Dimensions: 203 cm H x 60 cm W x 66.5 cm D

#### **Key features - Fridge section**

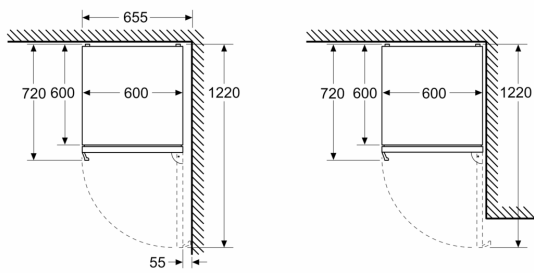
- Metal backwall
- Super Cooling: automatic deactivation
- Metal bottle rack
- 5 safety glass shelves of which 3 are height adjustable
- Door shelves in fridge door: 1 large and 3 small.
- 5 safety glass shelves (3 height adjustable)

#### **Key features - Freezer section**

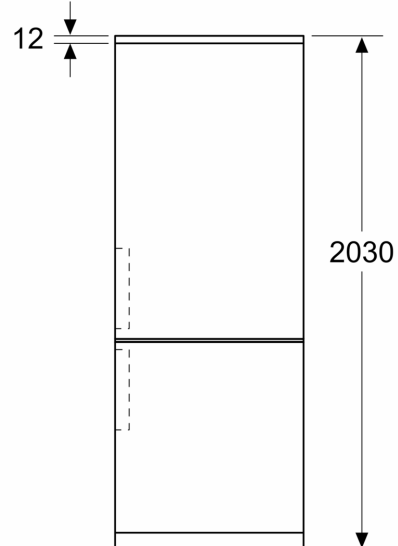
- 3 freezer drawers

**Series 6, Free-standing fridge-freezer  
with freezer at bottom, 203 x 60 cm,  
White  
KGN39AWCTG**

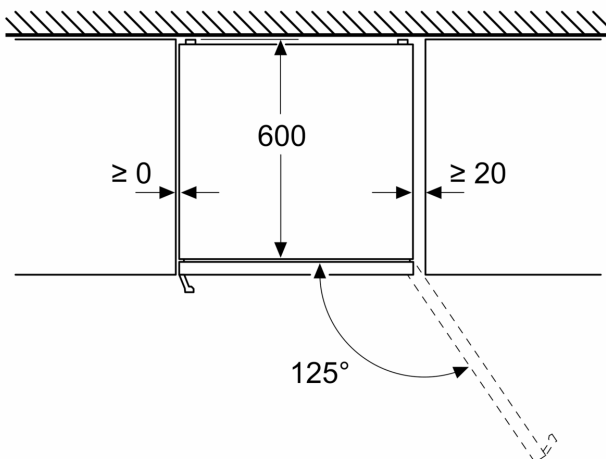
Measurements in mm



Measurements in mm



Measurements in mm



Measurements in mm

