

**Series 4, Free-standing fridge-freezer
with freezer at bottom, 203 x 60 cm,
Stainless steel look
KGN392LDFG**



**No Frost bottomfreezer : no need to
defrost your freezer**

- **VitaFresh XXL Pro 0°C:** Keeps meat and fish at exactly the 0°C, helping them stay fresher for longer.
- **Glossy Backwall with Multi Airflow:** evenly circulates cool, fresh air to maintain consistent temperatures.
- **Perfect Fit:** place your fridge right next to walls or other appliances to save space.
- **LED lighting:** all your items in perfect view.
- **Two cooling systems:** separately controllable fridge and freezer compartments

| | |
|--|--------------------|
| Energy Efficiency Class: | D |
| Average annual energy consumption in kilowatt hour per year (kWh/a): | 203 kWh/annum |
| Sum of volume of frozen compartments: | 103 l |
| Sum of volume of chill compartments: | 260 l |
| Airborne acoustical noise emissions : | 35 dB(A) re 1pW |
| Airborne acoustical noise emission class: | B |
| Built-in / Free-standing: | Freestanding |
| Door panel options: | Not possible |
| Height: | 2030 mm |
| Width of the appliance: | 600 mm |
| Depth: | 665 mm |
| Net weight: | 69.7 kg |
| Fuse protection: | 13 A |
| Door hinge: | Right reversible |
| Voltage: | 220-240 V |
| Frequency: | 50 Hz |
| Length electrical supply cord: | 231.0 cm |
| Number of compressors: | 1 |
| Number of independent cooling systems: | 2 |
| Interior ventilator: | No |
| Reversible Door Hinge: | Yes |
| Number of Adjustable Shelves in fridge compartment: | 3 |
| Shelves for Bottles: | Yes |
| Frost free system: | Fridge and freezer |
| Installation typology: | Free-standing |



Series 4, Free-standing fridge-freezer with freezer at bottom, 203 x 60 cm, Stainless steel look KGN392LDFG

- 3 x egg tray, 1 x ice cube tray

Country Specific Options

- Based on the results of the standard 24-hour test. Actual consumption depends on usage/position of the appliance.

No Frost bottomfreezer : no need to defrost your freezer

Performance and Consumption

- EU19_EEK_D: D
- Total Volume : 363 l
- Net Fridge Volume : 260 l
- Net Freezer Volume : 103 l
- Freezing capacity 24h : 9.5 kg
- Annual Energy Consumption: 203 kWh/a
- Climate Class: SN-T
- Noise Level : 35 dB , EU19_Noise emission class_D: B
- Temperature rise time : EU19_Temperature rise time_D: 15 H

Design features

- Integrated vertical handle
- Bright interior LED fridge light in fridge section
- Standard door Stainless steel look
- NO_FROST_NEU_BL, never have to defrost ever again
- Separate, electronic temperature control with LED display
- Two separate cooling circuits allow independent temperature control and prevents the transference of humidity between the fridge and freezer cavity
- Optical and accoustical

Design features

Food freshness system

- MultiAirflow system - improves circulation of air around the fridge
- 1 VitaFresh drawer - Fish and meat stay fresh for longer
- 1 VitaFresh drawer with humidity control - Fruits and vegetables retain vitamins and stay fresh for longer

Key features - Fridge section

- White glossy back wall
- Super Cooling: automatic deactivation
- 5 safety glass shelves of which 3 are height adjustable
- Metal bottle rack
- Door shelves in fridge door: 1 large and 3 small.

Dimension and installation

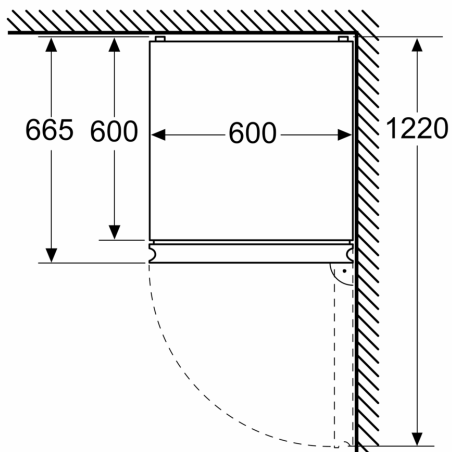
- Dimensions: 203 cm H x 60 cm W x 66.5 cm D
- Right hinged door, door reversible
- Height adjustable front feet
- 220 - 240 V

Key features - Freezer section

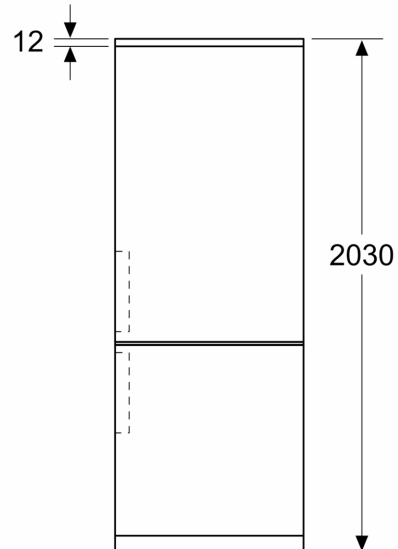
- Freezer malfunction warning signal: optical and acoustical warning system
- 3 freezer drawers
- Net freezer capacity: 103 litres
- Freezing capacity in 24 hours: 9.5 kg
- Maximum freezer storage time in power failure: 15 hours
- 5 safety glass shelves (3 height adjustable)

**Series 4, Free-standing fridge-freezer
with freezer at bottom, 203 x 60 cm,
Stainless steel look
KGN392LDFG**

Measurements in mm



Measurements in mm



Measurements in mm

