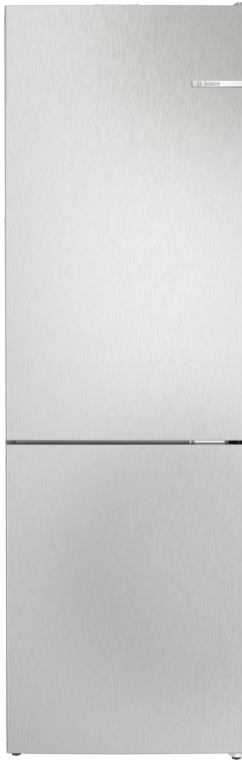


Series 4, Free-standing fridge-freezer with freezer at bottom, 186 x 60 cm, Stainless steel look KGN362LDFG



NoFrost bottomfreezer : no need to defrost your freezer

- **Perfect Fit:** place your fridge right next to walls or other appliances to save space.
- **VitaFresh XXL Pro near 0°C:** climate-controlled compartments lock in freshness and nutrients for longer.
- **Glossy Backwall with Multi Airflow:** evenly circulates cool, fresh air to maintain consistent temperatures.
- **LED lighting:** all your items in perfect view.
- **Two cooling systems:** separately controllable fridge and freezer compartments

Energy Efficiency Class:D
Average annual energy consumption in kilowatt hour per year (kWh/a): 199 kWh/annum
Sum of volume of frozen compartments: 103 l
Sum of volume of chill compartments: 218 l
Airborne acoustical noise emissions :35 dB(A) re 1pW
Airborne acoustical noise emission class:B
Built-in / Free-standing: Freestanding
Door panel options: Not possible
Height: 1860 mm
Width of the appliance: 600 mm
Depth: 665 mm
Net weight: 64.7 kg
Fuse protection: 13 A
Door hinge: Right reversible
Voltage: 220-240 V
Frequency: 50 Hz
Length electrical supply cord: 231.0 cm
Number of compressors: 1
Number of independent cooling systems: 2
Interior ventilator: No
Reversible Door Hinge: Yes
Number of Adjustable Shelves in fridge compartment: 2
Shelves for Bottles: Yes
Frost free system: Fridge and freezer
Installation typology: Free-standing



Series 4, Free-standing fridge-freezer with freezer at bottom, 186 x 60 cm, Stainless steel look KGN362LDFG

- 4 safety glass shelves of which 2 are height adjustable

NoFrost bottomfreezer : no need to defrost your freezer

- Total Volume : 321 l

Performance and Consumption

- EU19_EEK_D: D
- Net Fridge Volume : 218 l
- Net Freezer Volume : 103 l
- Freezing capacity 24h : 9.5 kg
- Annual Energy Consumption: 199 kWh/a
- Climate Class: SN-T
- EU19_Fast freezer facility_D
- Noise Level : 35 dB , EU19_Noise emission class_D: B
- Temperature rise time : EU19_Temperature rise time_D: 14 H
- Twin No Frost (RC + FC), Fridge freezer

Design features

- Stainless steel look doors and Pearl grey (VZF 07127) side panels
- Integrated vertical handle
- Bright interior LED fridge light in fridge section
- NO_FROST_NEU_BL, never have to defrost ever again
- Separate, electronic temperature control with LED display
- Two separate cooling circuits allow independent temperature control and prevents the transference of humidity between the fridge and freezer cavity
- Super Cooling: automatic deactivation
- Optical and accoustical
- Freezer malfunction warning signal: optical and acoustical warning system

Food freshness system

- MultiAirflow system - improves circulation of air around the fridge
- 1 VitaFresh drawer - Fish and meat stay fresh for longer
- 1 VitaFresh drawer with humidity control - Fruits and vegetables retain vitamins and stay fresh for longer

Dimension and installation

- Right hinged door, door reversible
- Dimensions: 186 cm H x 60 cm W x 66.5 cm D
- Height adjustable front feet
- 220 - 240 V

Key features - Fridge section

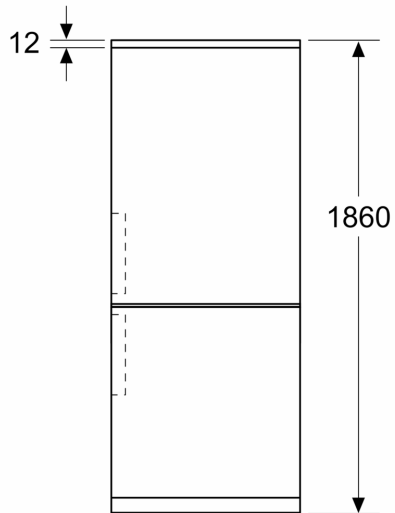
- 4 safety glass shelves (2 height adjustable)
- Metal bottle rack
- White glossy back wall
- Door shelves in fridge door: 1 large and 2 small.
- 3 x egg tray, 1 x ice cube tray

Key features - Freezer section

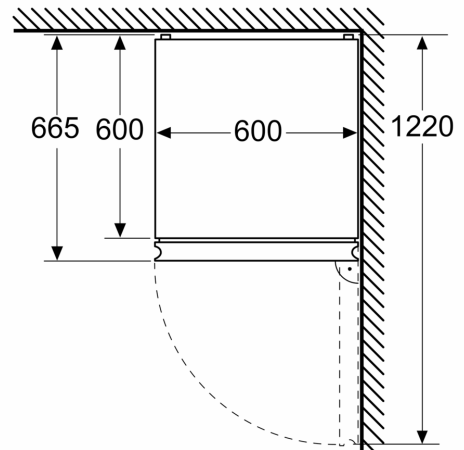
- 3 freezer drawers
- Based on the results of the standard 24-hour test. Actual consumption depends on usage/position of the appliance.

**Series 4, Free-standing fridge-freezer
with freezer at bottom, 186 x 60 cm,
Stainless steel look
KGN362LDFG**

Measurements in mm



Measurements in mm



Measurements in mm

