

**iQ300, Free-standing
fridge-freezer with freezer at
bottom, 203 x 70 cm, BlackSteel
KG49NXXDF**



Bottom freezer with hyperFresh Box to keep fruit and vegetables fresh for longer, plus with noFrost technology you never have to defrost again.

- ✓ hyperFresh 0°C – More space for fruit and vegetables. A cold climate for fish and meat.
- ✓ noFrost – Never defrost your freezer again.
- ✓ High-gloss backwall with multiAirflow – Evenly chilled food and drinks on all levels.
- ✓ The superCooling button reduces the temperature for a set time, to quickly cool down fresh food items.
- ✓ bottleRack – Store your bottles safely and in easy reach.

Energy Efficiency Class:	D
Average annual energy consumption in kilowatt hour per year (kWh/a):	223 kWh/annum
Sum of volume of frozen compartments:	129 l
Sum of volume of chill compartments:	311 l
Airborne acoustical noise emissions :	35 dB(A) re 1pW
Airborne acoustical noise emission class:	B
Built-in / Free-standing:	Freestanding
Door panel options:	Not possible
Height:	2030 mm
Width of the appliance:	700 mm
Dimensions:	667 mm
Weight:	82.2 kg
Fuse protection:	10 A
Door opening:	Right reversible
Nominal power:	220-240 V
Frequency:	50 Hz
Length electrical supply cord:	231.0 cm
Number of compressors:	1
Number of independent cooling systems:	2
Interior ventilator:	No
Reversible Door Hinge:	Yes
Number of Adjustable Shelves in fridge compartment:	3
Shelves for Bottles:	Yes
Frost free system:	Fridge and freezer
Installation type:	Freestanding



iQ300, Free-standing fridge-freezer with freezer at bottom, 203 x 70 cm, BlackSteel KG49NXXDF

- Twin No Frost (RC + FC), Fridge freezer
- Standard door Black steel - anti-fingerprint finish

Performance and Consumption

- EU19_EEK_D: D
- Total Volume : 440 l
- Net Fridge Volume : 313 l
- Net Freezer Volume : 127 l
- Freezing capacity 24h : 9.5 kg
- Annual Energy Consumption: 222 kWh/a
- Temperature rise time : EU19_Temperature rise time_D: 18 H

Design features

- Black steel - anti-fingerprint finish doors and cast iron side panels
- Integrated vertical handle
- LED fridge light with Soft Start
- Electronic control (2 LED chains)
- 5 safety glass shelves of which 3 are height adjustable
- Bottle rack
- Door shelves in fridge door: 1 large and 3 small.
- White glossy back wall

Functions

- Twin evaporators allows independent temperature control and ensures there is no transference of humidity between the fridge and freezer cavity.
- multiAirflow cooling - improves circulation of air around the fridge
- Super Cooling: automatic deactivation
- Optical and acoustical door open warning system
- Freezer malfunction warning signal: optical and acoustical

Freshness System

- coolBox - extra cold fridge drawer. Ideal to store meat and fish.
- 1 hyperFresh box with integrated humidity control

Food freshness system

Dimension and installation

- Dimensions: 203 cm H x 70 cm W x 66.7 cm D

Key features - Fridge section

- 3 x egg tray, 2 x ice cube tray
- Right hinged door, door reversible
- Height adjustable front feet
- 220 - 240 V

Key features - Freezer section

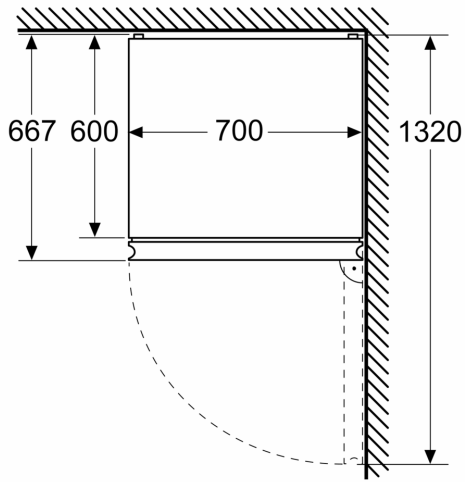
- Maximum freezer storage time in power failure: 18 hours
- Freezing capacity in 24 hours: 9.5 kg
- Net freezer capacity: 127 litres
- 3 freezer drawers

Country Specific Options

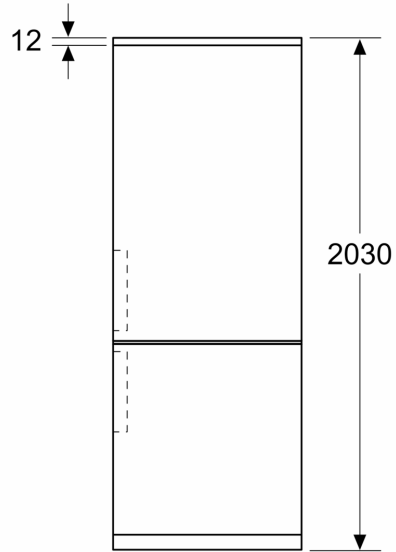
- Based on the results of the standard 24-hour test. Actual consumption depends on usage/position of the appliance.

iQ300, Free-standing
fridge-freezer with freezer at
bottom, 203 x 70 cm, BlackSteel
KG49NXXDF

Measurements in mm



Measurements in mm



Measurements in mm

