

**iQ300, Free-standing
fridge-freezer with freezer at
bottom, 203 x 70 cm, Brushed
black steel antiFingerprint, Total
noFrost
KG49NXXCF**



Bottom freezer with hyperFresh Box to keep fruit and vegetables fresh for longer, plus with noFrost technology you never have to defrost again.

- ✓ hyperFresh <0°> – More space for fruit and vegetables. Dedicated storage for fish and meat.
- ✓ High-gloss backwall with multiAirflow – Evenly chilled food and drinks on all levels.
- ✓ superCooling: faster cooling for fresh food.
- ✓ bottleRack – Store your bottles safely and within easy reach.
- ✓ Plenty of space for weekly shopping thanks to extra high capacity.

Energy Efficiency Class:	C
Average annual energy consumption in kilowatt hour per year (kWh/a):	178 kWh/annum
Sum of volume of frozen compartments:	129 l
Sum of volume of chill compartments:	311 l
Airborne acoustical noise emissions :	35 dB(A) re 1pW
Airborne acoustical noise emission class:	B
Built-in / Free-standing:	Freestanding
Door panel options:	Not possible
Height:	2030 mm
Width of the appliance:	700 mm
Dimensions:	667 mm
Weight:	84.0 kg
EAN code:	4242003922859
Fuse protection:	10 A
Door opening:	Right reversible
Nominal power:	220-240 V
Frequency:	50 Hz
Length electrical supply cord:	226.0 cm
Number of compressors:	1
Number of independent cooling systems:	2
Interior ventilator:	No
Reversible Door Hinge:	Yes
Number of Adjustable Shelves in fridge compartment:	3
Shelves for Bottles:	Yes
Frost free system:	Fridge and freezer
Installation type:	Freestanding



iQ300, Free-standing fridge-freezer with freezer at bottom, 203 x 70 cm, Brushed black steel antiFingerprint, Total noFrost KG49NXXCF

- Twin No Frost (RC + FC), Fridge freezer
- Standard door Black steel - anti-fingerprint finish

Performance and Consumption

- EU19_EEK_D: C
- Total Volume : 440 l
- Net Fridge Volume : 311 l
- Net Freezer Volume : 129 l
- Freezing capacity 24h : 11 kg
- Annual Energy Consumption: 178 kWh/a
- Climate Class: SN-T
- EU19_Fast freezer facility_D
- Noise Level : 35 dB , EU19_Noise emission class_D: B
- Temperature rise time : EU19_Temperature rise time_D: 18 H

Functions

- Black steel - anti-fingerprint finish doors and cast iron side panels
- Integrated vertical handle
- LED fridge light with Soft Start in fridge section

Design features

- NO_FROST_NEU_BL, never have to defrost ever again
- Electronic control (2 LED chains)
- Twin evaporators allows independent temperature control and ensures there is no transference of humidity between the fridge and freezer cavity.
- Super Cooling: automatic deactivation
- Optical and acoustical door open warning system
- Freezer malfunction warning signal: optical and acoustical

Design features

- multiAirflow cooling - improves circulation of air around the fridge
- 5 safety glass shelves of which 3 are height adjustable
- Bottle rack
- Door shelves in fridge door: 1 large and 3 small.

Freshness System

- coolBox - extra cold fridge drawer. Ideal to store meat and fish.
- 1 hyperFresh box with integrated humidity control

Food freshness system

- 3 freezer drawers

Dimension and installation

- Dimensions: 203 cm H x 70 cm W x 66.7 cm D

Key features - Fridge section

- Right hinged door, door reversible
- Height adjustable front feet

- 220 - 240 V

Key features - Freezer section

- 2 x ice cube tray

Country Specific Options

- Based on the results of the standard 24-hour test. Actual consumption depends on usage/position of the appliance.

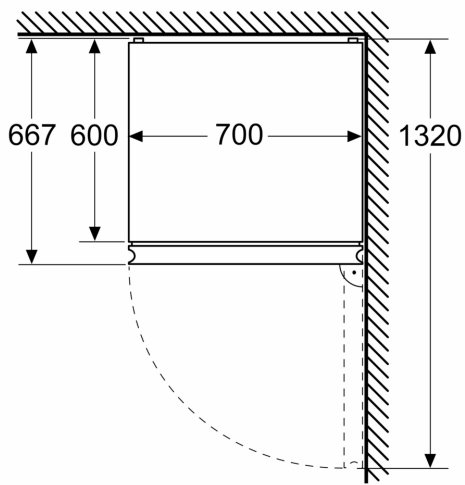
Design features

Dimension and installation

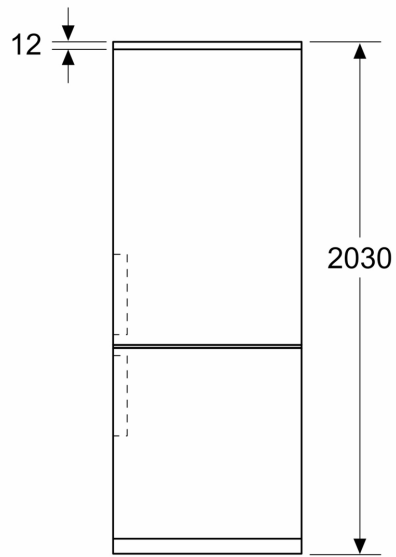
- White glossy back wall
- Length of power cord:226 cm
- 5 safety glass shelves in fridge compartment of which 3 are height adjustable

iQ300, Free-standing
fridge-freezer with freezer at
bottom, 203 x 70 cm, Brushed
black steel antiFingerprint, Total
noFrost
KG49NXXCF

Measurements in mm



Measurements in mm



Measurements in mm

