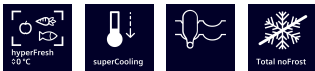


**iQ300, Free-standing  
fridge-freezer with freezer at  
bottom, 203 x 60 cm, Stainless  
steel  
KG39NVIBG**



The freestanding fridge freezer with hyperFresh <math>0^{\circ}\text{C}</math> for longer freshness, Total noFrost for no more defrosting, and a metal backwall for even cooling.

- ✓ hyperFresh <math>0^{\circ}></math> – More space for fruit and vegetables. Dedicated storage for fish and meat.
- ✓ Metal backwall with multiAirflow system – Evenly chilled food and drinks on all levels.
- ✓ superCooling: faster cooling for fresh food.
- ✓ bottleRack – Store your bottles safely and within easy reach.
- ✓ No more defrosting or water drops on the fridge back wall.

**Features**

**Technical Data**

Energy Efficiency Class <sup>1</sup> : .....	B
Average annual energy consumption in kilowatt hour per year (kWh/a): .....	129 kWh/annum
Sum of volume of frozen compartments: .....	103 l
Sum of volume of chill compartments: .....	260 l
Airborne acoustical noise emissions : .....	33 dB(A) re 1pW
Airborne acoustical noise emission class: .....	B
Built-in / Free-standing: .....	Freestanding
Door panel options: .....	Not possible
Height: .....	2030 mm
Width of the appliance: .....	600 mm
Dimensions: .....	665 mm
Weight: .....	84.3 kg
EAN code: .....	4242003985144
Fuse protection: .....	10 A
Door opening: .....	Right reversible
Nominal power: .....	220-240 V
Frequency: .....	50 Hz
Length electrical supply cord: .....	226 cm
Number of compressors: .....	1
Number of independent cooling systems: .....	2
Interior ventilator: .....	No
Reversible Door Hinge: .....	Yes
Number of Adjustable Shelves in fridge compartment: .....	3
Shelves for Bottles: .....	Yes
Frost free system: .....	Fridge and freezer
Installation type: .....	Freestanding



<sup>1</sup> Scale of Energy Efficiency Classes from A to G

## iQ300, Free-standing fridge-freezer with freezer at bottom, 203 x 60 cm, Stainless steel KG39NVIBG

### Features

- KG39NVIBG
- Twin No Frost (RC + FC), Fridge freezer
- Standard door Stainless steel anti-fingerprint

#### Performance and Consumption

- EU19\_EEK\_D: B
- Total Volume : 363 l
- Annual Energy Consumption: 129 kWh/a
- Noise Level : 33 dB , EU19\_Noise emission class\_D: B

#### Functions

- Integrated vertical handle
- LED fridge light with Soft Start in fridge section
- Metal backwall

#### Design features

- NO\_FROST\_NEU\_BL, never have to defrost ever again
- Electronic control (2 LED chains)
- Twin evaporators allows independent temperature control and ensures there is no transference of humidity between the fridge and freezer cavity.
- Super Cooling: automatic deactivation
- Optical and acoustical door open warning system
- Freezer malfunction warning signal: optical and acoustical

#### Design features

- Net Fridge Volume : 260 l
- multiAirflow cooling - improves circulation of air around the fridge
- 4 door bins
- Bottle rack

#### Freshness System

- coolBox - extra cold fridge drawer. Ideal to store meat and fish.
- 1 hyperFresh box with integrated humidity control

#### Food freshness system

- Net Freezer Volume : 103 l
- Freezing capacity 24h : 10 kg
- Temperature rise time : EU19\_Temperature rise time\_D: 18 H
- EU19\_Fast freezer facility\_D
- 3 freezer drawers

#### Dimension and installation

- Dimensions: 203 cm H x 60 cm W x 66.5 cm D

#### Key features - Fridge section

- Right hinged door, door reversible
- Height adjustable front feet
- Climate Class: SN-T
- 220 - 240 V
- Length of power cord:226 cm

#### Key features - Freezer section

- 2 x ice cube tray

#### Country Specific Options

- Based on the results of the standard 24-hour test. Actual consumption depends on usage/position of the appliance.

#### Design features

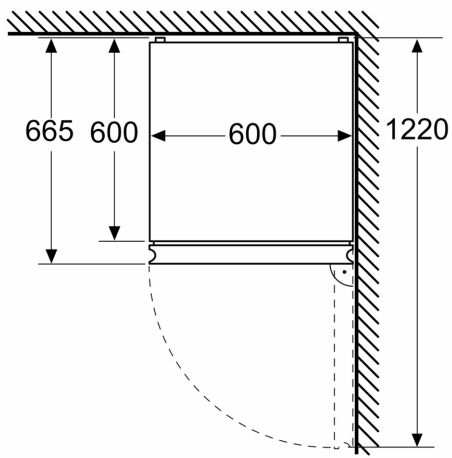
#### Dimension and installation

- 5 safety glass shelves of which 3 are height adjustable

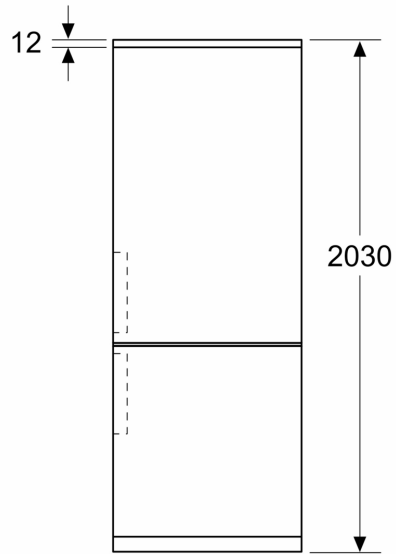
iQ300, Free-standing  
fridge-freezer with freezer at  
bottom, 203 x 60 cm, Stainless  
steel  
KG39NVIBG

Dimensioned drawings

Measurements in mm



Measurements in mm



Measurements in mm

