

**iQ500, Free-standing
fridge-freezer with freezer at
bottom, 203 x 60 cm, Brushed
steel anti-fingerprint, Total
noFrost
KG39NAIAU**



Bottom freezer with hyperFresh <0°C> to keep fruit and vegetables fresh for longer, plus noFrost for no more defrosting – enjoy outstanding cooling results in the best energy efficiency and noise level class A.

- ✓ Total noFrost: Never defrost your freezer again and bid farewell to water drops on the fridge backwall.
- ✓ hyperFresh <0°C> – More space for fruit and vegetables. Dedicated storage for fish and meat.
- ✓ Metal backwall with multiAirflow system – Evenly chilled food and drinks on all levels.
- ✓ noDistance – Place your refrigerator directly against the wall or in a niche without a gap.
- ✓ superFreezing: fast freezing for even large quantities of food.

Energy Efficiency Class:	A
Average annual energy consumption in kilowatt hour per year (kWh/a):	112 kWh/annum
Sum of volume of frozen compartments:	103 l
Sum of volume of chill compartments:	260 l
Airborne acoustical noise emissions :	29 dB(A) re 1 pW
Airborne acoustical noise emission class:	A
Built-in / Free-standing:	Freestanding
Door panel options:	Not possible
Height:	2030 mm
Width of the appliance:	600 mm
Dimensions:	665 mm
Weight:	97.2 kg
EAN code:	4242003973806
Fuse protection:	10 A
Door opening:	Right reversible
Nominal power:	220-240 V
Frequency:	50 Hz
Length electrical supply cord:	210.0 cm
Number of compressors:	1
Number of independent cooling systems:	2
Interior ventilator:	No
Reversible Door Hinge:	Yes
Number of Adjustable Shelves in fridge compartment:	3
Shelves for Bottles:	Yes
Frost free system:	Fridge and freezer
Installation type:	Freestanding



iQ500, Free-standing fridge-freezer with freezer at bottom, 203 x 60 cm, Brushed steel anti-fingerprint, Total noFrost KG39NAIAU

- Standard door Stainless steel anti-fingerprint
- Fridge freezer

Performance and Consumption

- EU19_EEK_D: A
- Total Volume : 363 l
- Annual Energy Consumption: 112 kWh/a
- EU19_Fast freezer facility_D
- Noise Level : 29 dB , EU19_Noise emission class_D: A

Functions

- Stainless steel anti-fingerprint doors and Pearl grey (VZF 07127) side panels
- vertical door handle
- LED fridge light with Soft Start in fridge section
- Metal backwall

Design features

- NO_FROST_NEU_BL, never have to defrost ever again
- Electronic control (2 LED chains)
- Twin evaporators allows independent temperature control and ensures there is no transference of humidity between the fridge and freezer cavity.
- Optical and acoustical door open warning system
- Super Cooling: automatic deactivation
- Automatic defrost in fridge section

Design features

- Net Fridge Volume : 260 l
- 5 safety glass shelves in fridge compartment of which 3 are height adjustable
- Door shelves in fridge door: 1 large and 2 small.

Freshness System

Food freshness system

- Net Freezer Volume : 103 l
- Freezing capacity 24h : 10 kg
- Temperature rise time : EU19_Temperature rise time_D: 21 H
- 3 freezer drawers

Dimension and installation

- Dimensions: 203 cm H x 60 cm W x 66.5 cm D

Key features - Fridge section

- Right hinged door, door reversible
- Height adjustable front feet
- 220 - 240 V
- Climate Class: SN-T
- Length of power cord:210 cm

Key features - Freezer section

- 2 x ice cube tray

Country Specific Options

- Based on the results of the standard 24-hour test. Actual consumption depends on usage/position of the appliance.

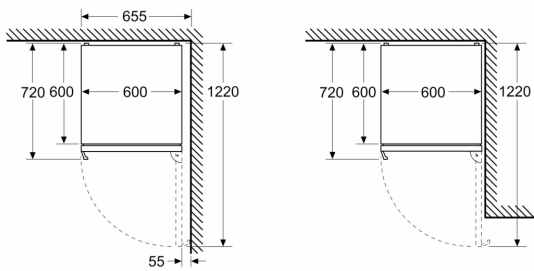
Additional features

Design features

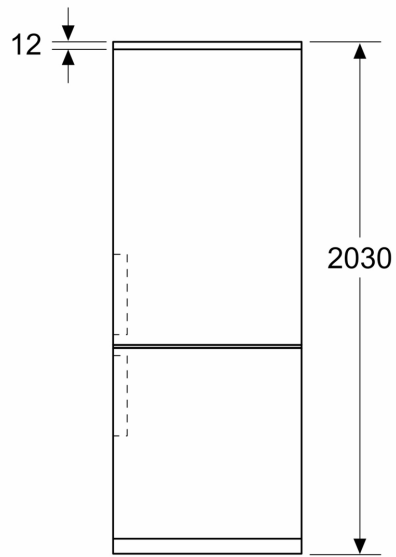
Dimension and installation

**iQ500, Free-standing
fridge-freezer with freezer at
bottom, 203 x 60 cm, Brushed
steel anti-fingerprint, Total
noFrost
KG39NAIAU**

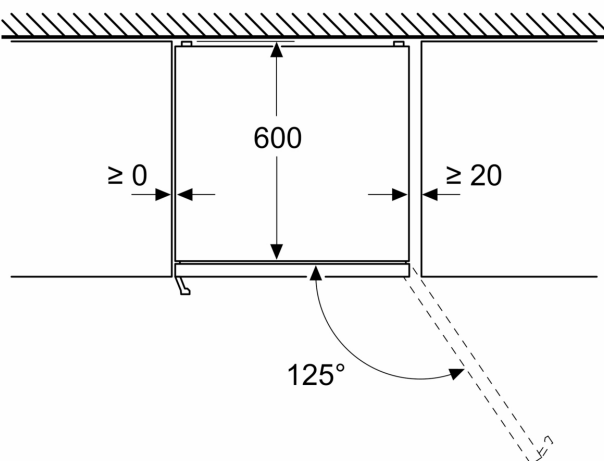
Measurements in mm



Measurements in mm



Measurements in mm



Measurements in mm

