

**iQ300, Free-standing
fridge-freezer with freezer at
bottom, 203 x 60 cm,
Inox-easyclean
KG39N7ICTG**



Bottom freezer with hyperFresh Box to keep fruit and vegetables fresh for longer, plus with noFrost technology you never have to defrost again.

- ✓ hyperFresh <0°> – More space for fruit and vegetables. Dedicated storage for fish and meat.
- ✓ noFrost – Never defrost your freezer again.
- ✓ High-gloss backwall with multiAirflow – Evenly chilled food and drinks on all levels.
- ✓ bottleRack – Store your bottles safely and within easy reach.
- ✓ superCooling: faster cooling for fresh food.

Features

Technical Data

Energy Efficiency Class:	C
Average annual energy consumption in kilowatt hour per year (kWh/a):	162 kWh/annum
Sum of volume of frozen compartments:	103 l
Sum of volume of chill compartments:	260 l
Airborne acoustical noise emissions :	35 dB(A) re 1 pW
Airborne acoustical noise emission class:	B
Built-in / Free-standing:	Freestanding
Door panel options:	Not possible
Height:	2030 mm
Width of the appliance:	600 mm
Dimensions:	665 mm
Weight:	73.7 kg
Fuse protection:	13 A
Door opening:	Right reversible
Nominal power:	220-240 V
Frequency:	50 Hz
Length electrical supply cord:	226.0 cm
Number of compressors:	1
Number of independent cooling systems:	2
Interior ventilator:	No
Reversible Door Hinge:	Yes
Number of Adjustable Shelves in fridge compartment:	3
Shelves for Bottles:	Yes
Frost free system:	Fridge and freezer
Installation type:	Freestanding



iQ300, Free-standing fridge-freezer with freezer at bottom, 203 x 60 cm, Inox-easyclean KG39N7ICTG

Features

- Standard door Stainless steel anti-fingerprint
- Twin No Frost (RC + FC), Fridge freezer

Performance and Consumption

- EU19_EEK_D: C
- Total Volume : 363 l
- Net Fridge Volume : 260 l
- Net Freezer Volume : 103 l
- Freezing capacity 24h : 10 kg
- Annual Energy Consumption: 162 kWh/a
- Climate Class: SN-T
- EU19_Fast freezer facility_D
- Noise Level : 35 dB , EU19_Noise emission class_D: B
- Temperature rise time : EU19_Temperature rise time_D: 15 H

Functions

- Stainless steel anti-fingerprint doors and Pearl grey (VZF 07127) side panels
- vertical door handle
- White glossy back wall
- LED fridge light with Soft Start in fridge section

Design features

- NO_FROST_NEU_BL, never have to defrost ever again
- Electronic control (2 LED chains)
- Twin evaporators allows independent temperature control and ensures there is no transference of humidity between the fridge and freezer cavity.
- Super Cooling: automatic deactivation
- Optical and acoustical door open warning system
- Freezer malfunction warning signal: optical and acoustical
- multiAirflow cooling - improves circulation of air around the fridge
- 5 safety glass shelves of which 3 are height adjustable
- Bottle rack
- Door shelves in fridge door: 1 large and 3 small.

Freshness System

- coolBox - extra cold fridge drawer. Ideal to store meat and fish.
- 1 hyperFresh box with integrated humidity control

Food freshness system

- 3 freezer drawers

Dimension and installation

- Dimensions: 203 cm H x 60 cm W x 66.5 cm D

Key features - Fridge section

- Right hinged door, door reversible
- Height adjustable front feet
- 220 - 240 V

Key features - Freezer section

- 3 x egg tray, 2 x ice cube tray

Country Specific Options

- Based on the results of the standard 24-hour test. Actual consumption depends on usage/position of the appliance.

Design features

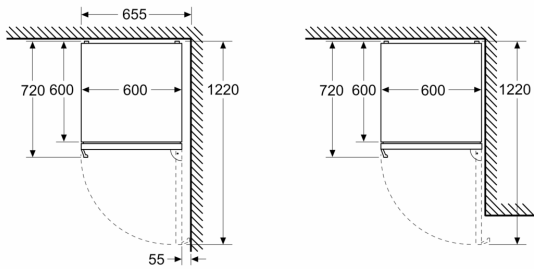
Dimension and installation

Additional features

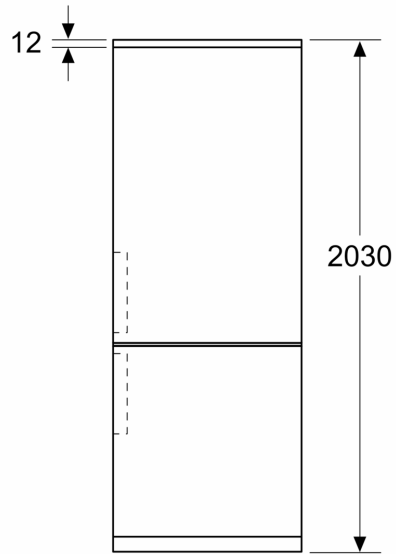
iQ300, Free-standing
fridge-freezer with freezer at
bottom, 203 x 60 cm,
Inox-easyclean
KG39N7ICTG

Dimensioned drawings

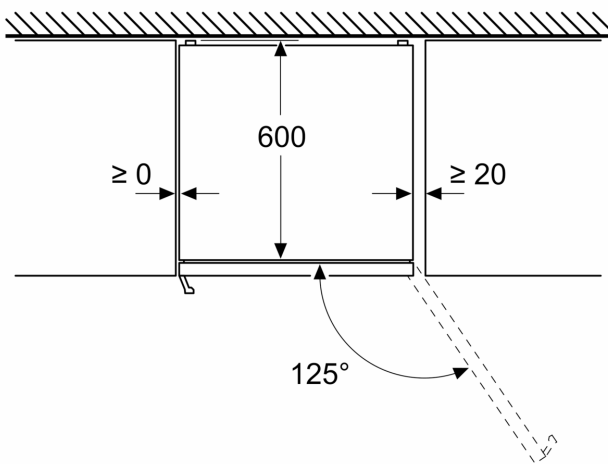
Measurements in mm



Measurements in mm



Measurements in mm



Measurements in mm

