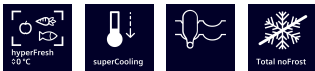


**iQ300, Free-standing
fridge-freezer with freezer at
bottom, 186 x 60 cm, Stainless
steel
KG36NVICG**



The freestanding fridge freezer with hyperFresh -0°C for longer freshness, Total noFrost for no more defrosting, and a metal backwall for even cooling.

- ✓ hyperFresh $-0^{\circ}>$ – More space for fruit and vegetables. Dedicated storage for fish and meat.
- ✓ Metal backwall with multiAirflow system – Evenly chilled food and drinks on all levels.
- ✓ superCooling: faster cooling for fresh food.
- ✓ bottleRack – Store your bottles safely and within easy reach.
- ✓ No more defrosting or water drops on the fridge back wall.

Features

Technical Data

Energy Efficiency Class ¹ :	C
Average annual energy consumption in kilowatt hour per year (kWh/a):	159 kWh/annum
Sum of volume of frozen compartments:	103 l
Sum of volume of chill compartments:	218 l
Airborne acoustical noise emissions :	35 dB(A) re 1 pW
Airborne acoustical noise emission class:	B
Built-in / Free-standing:	Freestanding
Door panel options:	Not possible
Height:	1860 mm
Width of the appliance:	600 mm
Dimensions:	665 mm
Weight:	66.2 kg
EAN code:	4242003985229
Fuse protection:	10 A
Door opening:	Right reversible
Nominal power:	220-240 V
Frequency:	50 Hz
Length electrical supply cord:	225 cm
Number of compressors:	1
Number of independent cooling systems:	2
Interior ventilator:	No
Reversible Door Hinge:	Yes
Number of Adjustable Shelves in fridge compartment:	2
Shelves for Bottles:	Yes
Frost free system:	Fridge and freezer
Installation type:	Freestanding



¹ Scale of Energy Efficiency Classes from A to G

iQ300, Free-standing fridge-freezer with freezer at bottom, 186 x 60 cm, Stainless steel KG36NVICG

Features

- KG36NVICG
- Twin No Frost (RC + FC), Fridge freezer
- Standard door Stainless steel anti-fingerprint

Performance and Consumption

- EU19_EEK_D: C
- Total Volume : 321 l
- Annual Energy Consumption: 159 kWh/a
- Noise Level : 35 dB , EU19_Noise emission class_D: B

Functions

- Integrated vertical handle
- LED fridge light with Soft Start in fridge section
- Metal backwall

Design features

- NO_FROST_NEU_BL, never have to defrost ever again
- Electronic control (2 LED chains)
- Twin evaporators allows independent temperature control and ensures there is no transference of humidity between the fridge and freezer cavity.
- Super Cooling: automatic deactivation
- Optical and acoustical door open warning system
- Freezer malfunction warning signal: optical and acoustical

Design features

- Net Fridge Volume : 218 l
- multiAirflow cooling - improves circulation of air around the fridge
- 4 safety glass shelves of which 2 are height adjustable
- 3 door bins
- Bottle rack

Freshness System

- coolBox - extra cold fridge drawer. Ideal to store meat and fish.
- 1 hyperFresh box with integrated humidity control

Food freshness system

- Net Freezer Volume : 103 l
- Freezing capacity 24h : 9.5 kg
- Temperature rise time : EU19_Temperature rise time_D: 14 H
- EU19_Fast freezer facility_D
- 3 freezer drawers

Dimension and installation

- Dimensions: 186 cm H x 60 cm W x 66.5 cm D

Key features - Fridge section

- Right hinged door, door reversible
- Height adjustable front feet
- Climate Class: SN-T
- 220 - 240 V

- Length of power cord:225 cm

Key features - Freezer section

- 2 x ice cube tray

Country Specific Options

- Based on the results of the standard 24-hour test. Actual consumption depends on usage/position of the appliance.

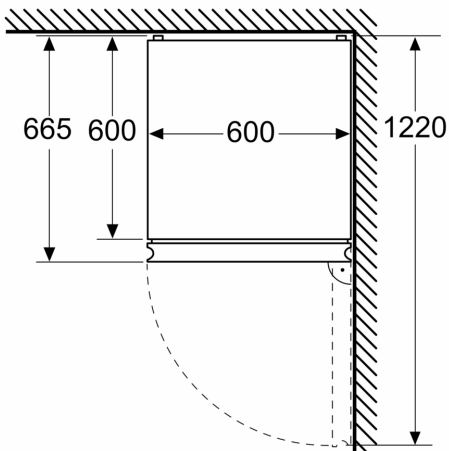
Design features

Dimension and installation

iQ300, Free-standing
fridge-freezer with freezer at
bottom, 186 x 60 cm, Stainless
steel
KG36NVICG

Dimensioned drawings

Measurements in mm



Measurements in mm

